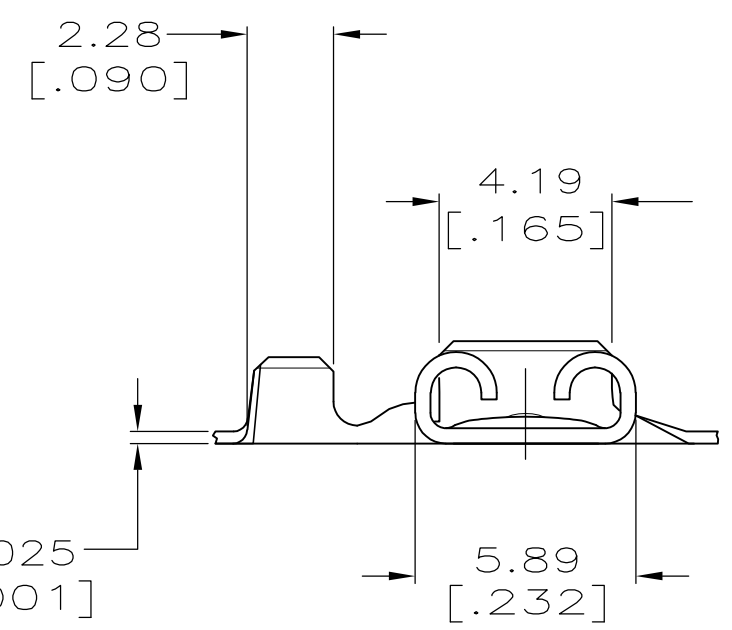
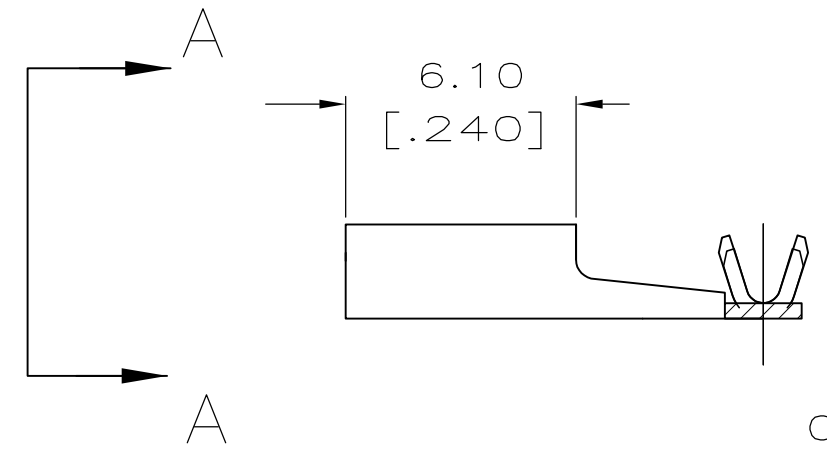
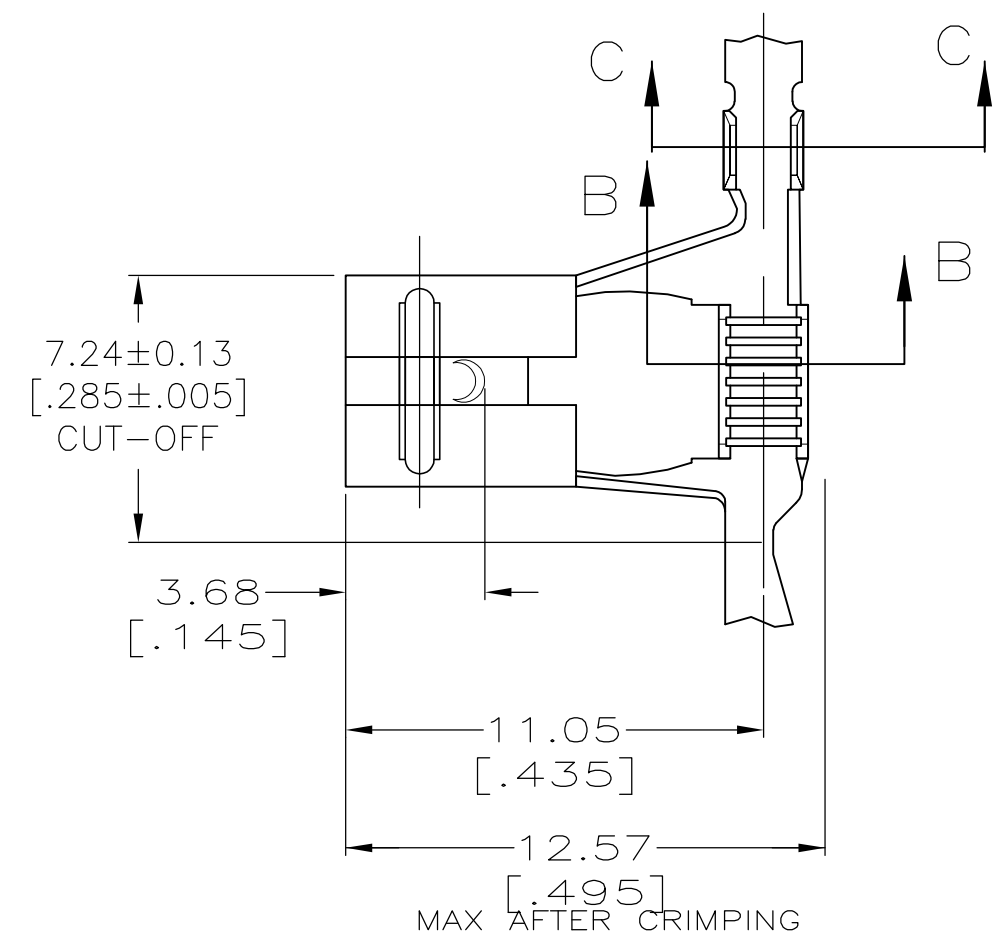
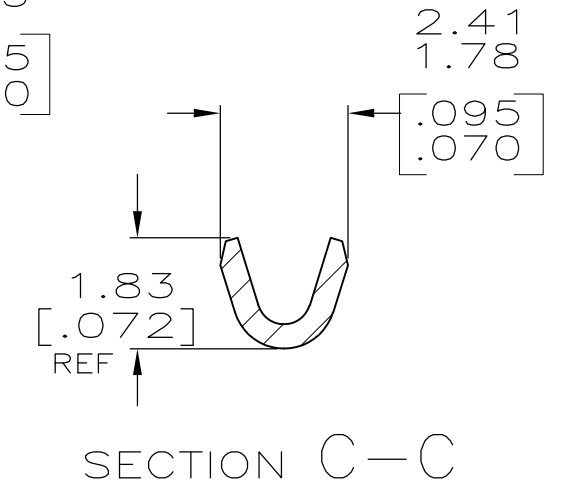
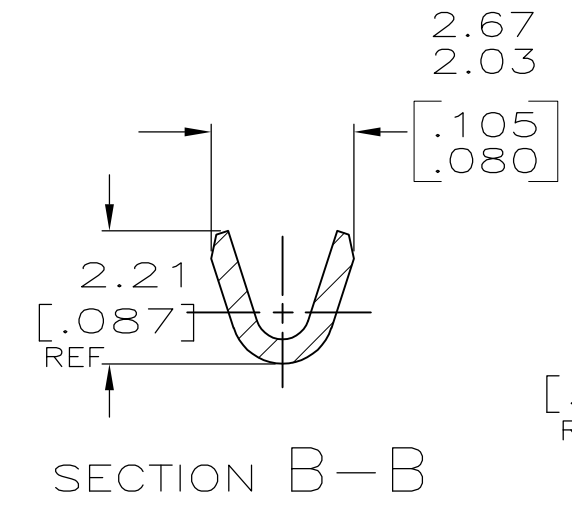


THIS DRAWING IS UNPUBLISHED. RELEASED FOR PUBLICATION
 © COPYRIGHT - By TYCO ELECTRONICS CORPORATION. ALL RIGHTS RESERVED.

LOC	DIST	REVISIONS			
P	LTR	DESCRIPTION	DATE	DWN	APVD
AF	50	J	REVISE PER ECR-13-013738	15FEB2014	GRZ JL



- 1 CONTINUOUS STRIP ON REELS.
- 2 ACCEPTS MAGNET WIRE RANGES 500-1200 CMA.
- 3 MATING TAB THK TO BE 0.51±0.025 [.020±.001].
- △ 4 0.002032 [.000080] MIN TIN



VIEW A-A

63942-1
PART NO.

THIS DRAWING IS A CONTROLLED DOCUMENT.		DWN	JR RUTH	9/30/96	TE Connectivity RECEPTACLE, FASTON, FLAG, AMPLIVAR, 4.75 [.187] SERIES			RESTRICTED TO			
DIMENSIONS: mm		CHK	MS FEHER	9/30/96				NAME		-	
TOLERANCES UNLESS OTHERWISE SPECIFIED:		APVD	P DESANTIS	9/30/96				PRODUCT SPEC		-	
0 PLC ± - 1 PLC ± - 2 PLC ± 0.25 [.010] 3 PLC ± - 4 PLC ± - ANGLES ± -		APPLICATION SPEC		-				-			
MATERIAL		FINISH		WEIGHT		SIZE	CAGE CODE	DRAWING NO	RESTRICTED TO		
BRASS		-		-		A3	00779	C-63942	-		
CUSTOMER DRAWING						SCALE	5:1	SHEET	1 OF 1		
						REV		J			

Mouser Electronics

Authorized Distributor

Click to View Pricing, Inventory, Delivery & Lifecycle Information:

[TE Connectivity:](#)

[63942-1](#)