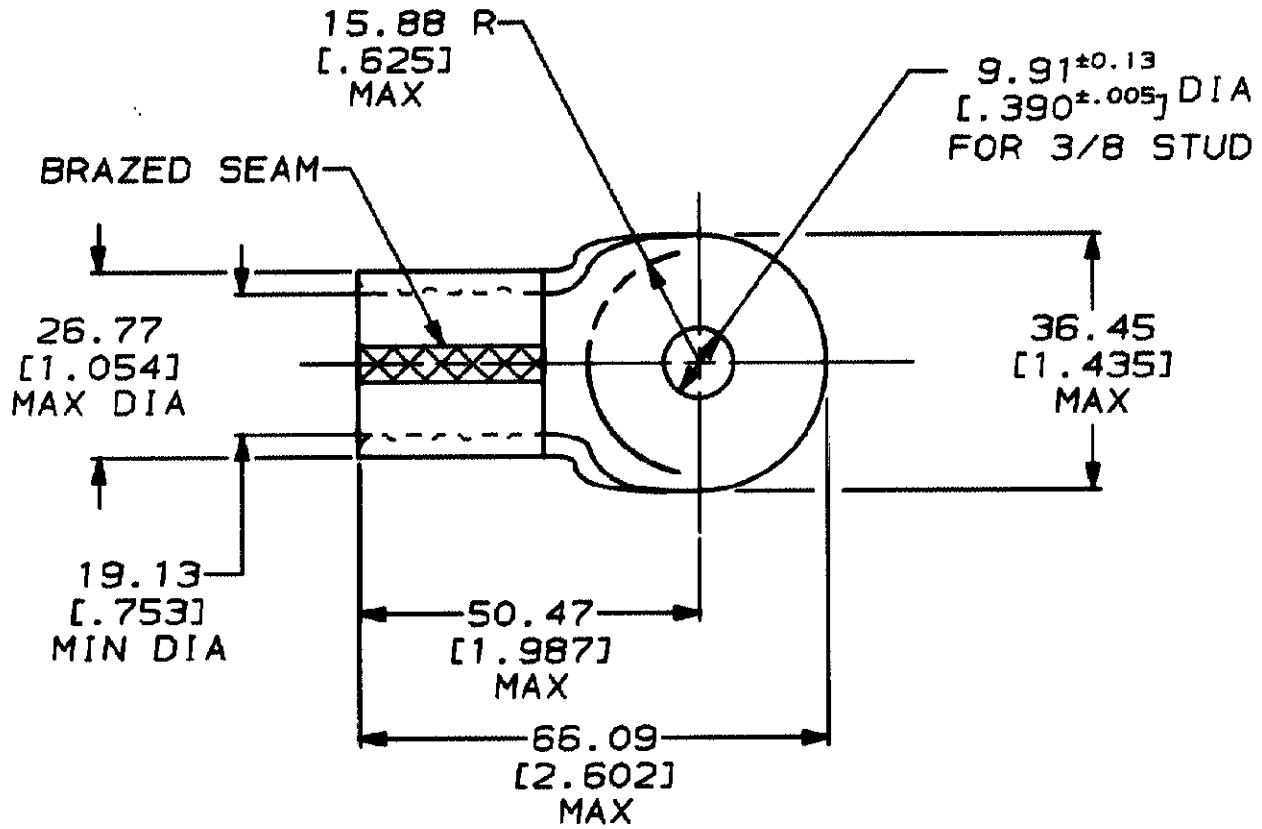


THIS DRAWING IS A CONTROLLED DOCUMENT FOR AMP INCORPORATED.
 IT IS SUBJECT TO CHANGE AND THE CONTROLLING ENGINEERING
 ORGANIZATION SHOULD BE CONTACTED FOR THE LATEST REVISION.

DRAWING MADE IN THIRD ANGLE PROJECTION

| LOC | DIST | P | F | LTR | DESCRIPTION | DATE | APPROVED |
|-----|------|---|---|-----|------------------------------|--------|-----------|
| G | 14 | | | D | REVISED & REDRAWN PER G-5803 | 6/9/92 | DKS / AJK |

THIS DRAWING IS UNPUBLISHED. RELEASED FOR PUBLICATION BY AMP INCORPORATED. ALL INTERNATIONAL RIGHTS RESERVED. © COPYRIGHT 19



| |
|---------|
| 322252 |
| PART NO |

DO NOT SCALE PRINT.
 UNLESS SPECIFIED
 DIMENSIONS IN mm (IN)
 TOLERANCES ON:
 2 PLC DEC ± 0.20(.008)
 3 PLC DEC ± -
 ANGLES ± -

MATERIAL
 COPPER ASTM B-152
 ANNEALED

FINISH
 TIN PLATE
 0.00254(.000100) MIN
 THK PER MIL-T-10727

DR 8/8/92
 DK SCHUM

CHK 8/26/92
 RD NEIH

APPD 8/26/92
 AJ KAUFMAN

APPD 8/26/92
 CR RHODES

PRODUCT SPEC
 -

APPLICATION SPEC
 -

WEIGHT -

AMP AMP Incorporated
 Harrisburg, PA 17105-3608

NAME
 TERMINAL, RING TONGUE, SOLISTRAND™
 WIRE SIZE: 127.0-152.0mm² [250-300] MCM

| | | |
|------------------|--------------------|-------------------------------|
| SIZE A | CAGE CODE 00779 | DRAWING NO C-322252 |
| SCALE 1:1 | SHEET 1 OF 1 | |

Mouser Electronics

Authorized Distributor

Click to View Pricing, Inventory, Delivery & Lifecycle Information:

[TE Connectivity:](#)

[322252](#)