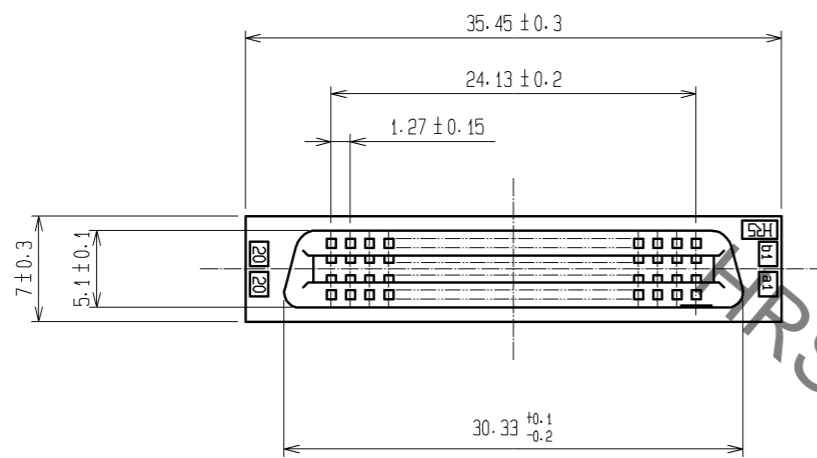
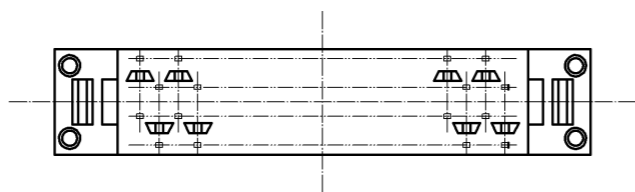
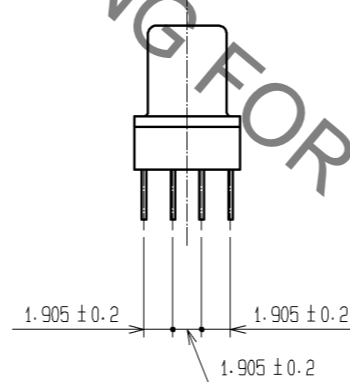
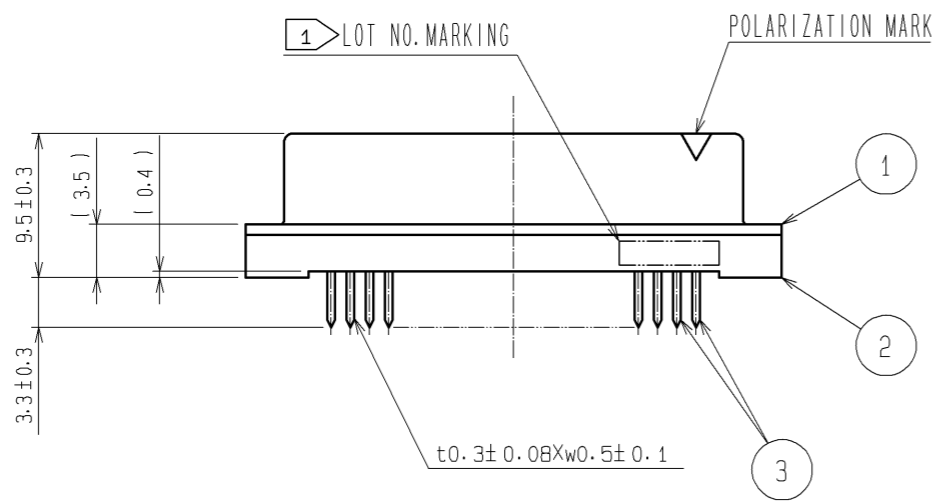
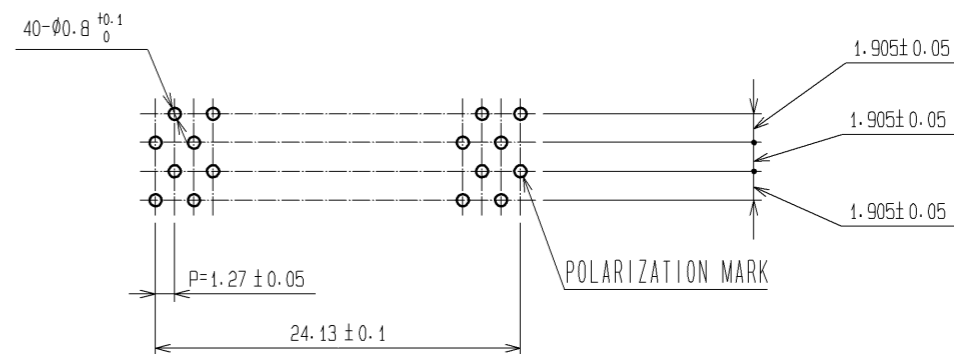


Nov.1.2020 Copyright 2020 HIROSE ELECTRIC CO., LTD. All Rights Reserved.  
In case of consideration for using Automotive equipment / device which demand high reliability, kindly contact our sales window correspondents.



RECOMMENDED PC BOARD HOLE PATTERN (MOUNTING SIDE)



NOTES 1 LOT NO. MARKING SIDE SHALL BE OPTIONAL.  
2. THE DIMENSIONS IN PARENTHESES ARE FOR REFERENCE.

|                                      |           |                         |           |                          |  |         |      |
|--------------------------------------|-----------|-------------------------|-----------|--------------------------|--|---------|------|
| 1, 2                                 | POLYAMIDE | BLACK, UL94V-0          | 3         | PHOSPHOR BRONZE          | CONTACT AREA : GOLD 0.2µm min.<br>DIP AREA : TIN-PLATING 2µm min.<br>UNDER PLATING : NICKEL 2µm min. |         |      |
| NO.                                  | MATERIAL  | FINISH, REMARKS         | NO.       | MATERIAL                 | FINISH, REMARKS  |         |      |
| UNITS<br>mm                          |           | SCALE<br>2 : 1          | COUNT<br> | DESCRIPTION OF REVISIONS | DESIGNED   | CHECKED | DATE |
| <b>HRS</b> HIROSE ELECTRIC CO., LTD. |           | APPROVED : HS. OKAWA    | 07.08.08  | DRAWING NO.              | EDC3-083181-21   |         |      |
|                                      |           | CHECKED : HS. OZAWA     | 07.08.07  | PART NO.                 | FX2C-40S-1.27DSA(71)   |         |      |
|                                      |           | DESIGNED : KY. NAKAMURA | 07.08.07  | CODE NO.                 | CL572-2403-2-71  |         |      |
|                                      |           | DRAWN : TP. MATSUMOTO   | 07.08.06  |                          | 1/1  |         |      |