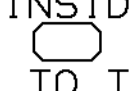
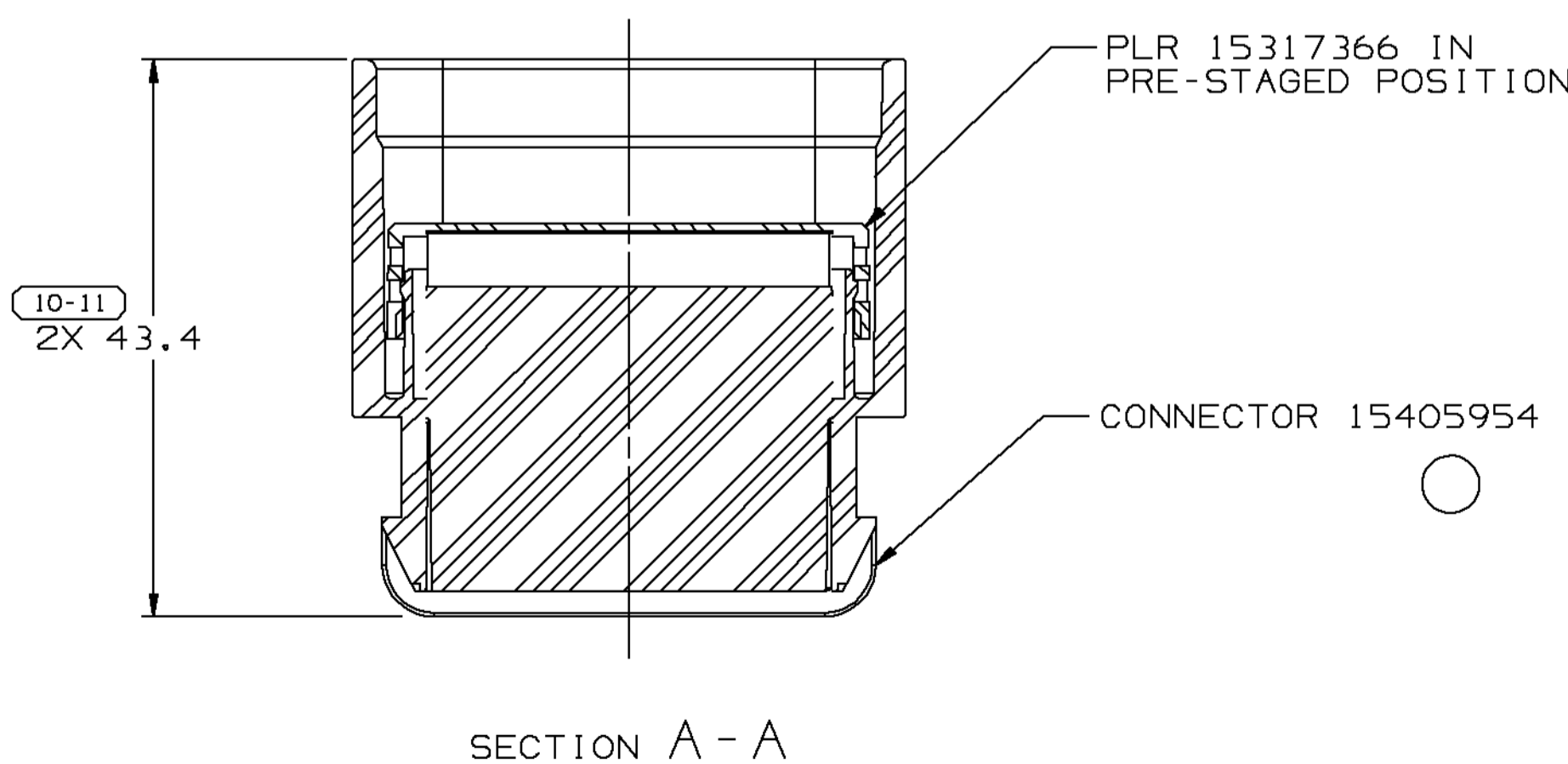
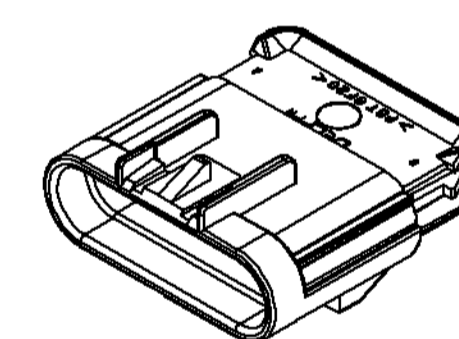
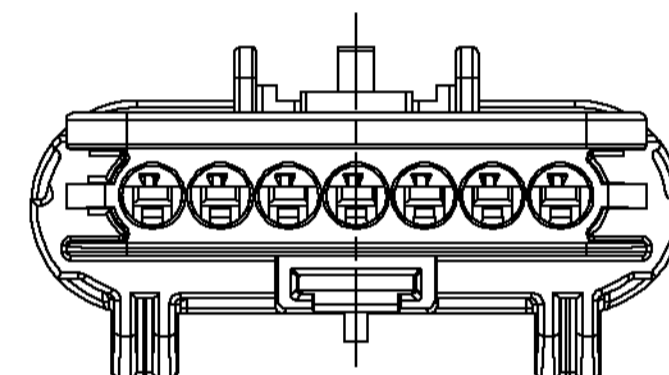
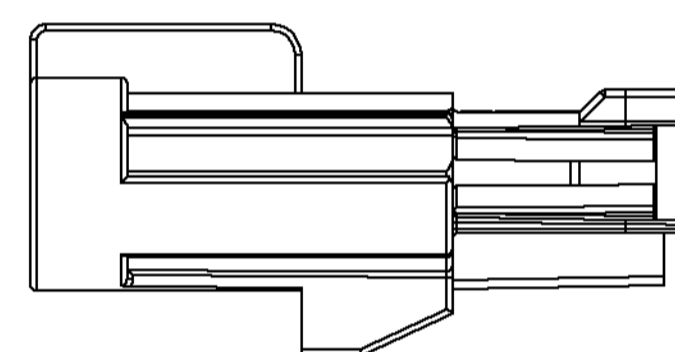
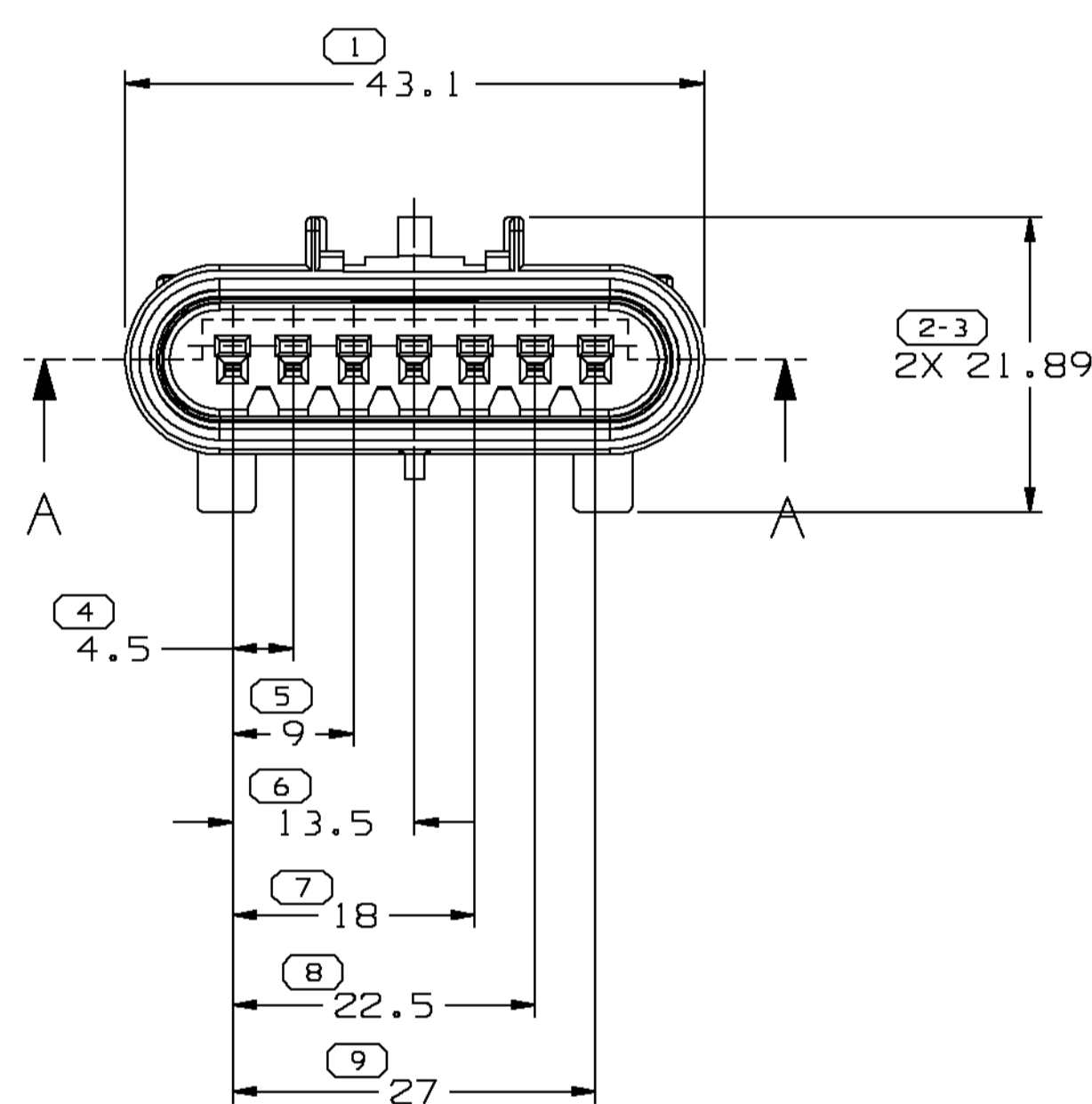
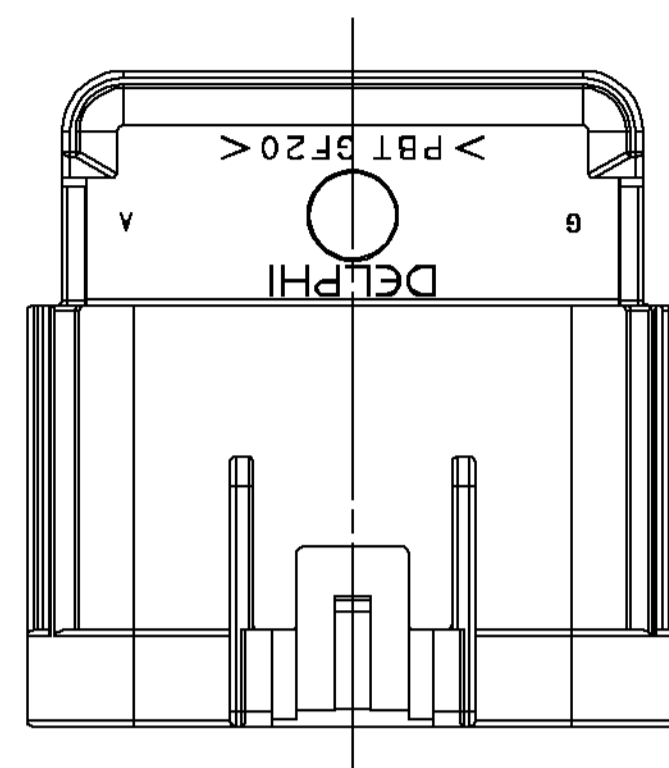


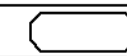
SYMBOL DEFINITION		MISSING NUMBERS	
THE NUMBER INSIDE THE SYMBOL  CORRESPONDS TO THE NUMBER ON THE INSPECTION REPORT FOR THIS DRAWING/PART NUMBER	TOTAL NO. OF SYMBOLS ON DRAWING	9	
	LAST NO. USED	11	

DWG STATUS				ZONE	REVISION HISTORY	AUTH	DR	CK	APVD
DATE	STG	REV	CHG/N/P						
17FE00	R	001	-	-	RELEASED	000005	CRW	PHC	MW
230C00	R	001	-	AA	REVISED CONN	204000	TLP	TLP	MW
28FE02	R	002	-	-	REPLACED CONN 15359188 WITH 15405954	221755	CJP	CJP	PMJ




NOTES

- UNLESS OTHERWISE SPECIFIED AND/OR INDICATED: DIMENSIONS ARE TO FACE OF VIEW SHOWN AND AUTOMATICALLY ROUNDED BY COMPUTER FOR INSPECTION (SEE MATH MODEL FOR PRECISE DIMENSIONS). FOR ALL OTHER DIMENSIONS NOT SHOWN BUT REQUIRED FOR TOOL BUILD, SEE MATH MODEL FOR PRECISE TOOL PATH DATA.
- MATING COMPONENTS OR EQUIVALENT: ASSEMBLY 15317367

 PROCESS SENSITIVE DIMENSION

DIMENSIONS ENCLOSED IN () INDICATE REFERENCE DIMENSIONS AND NO TOLERANCE LIMITS ARE ESTABLISHED

DIMENSIONAL RANGE (MM)		CHART E	
FROM	TO	> 20	> 30
0	20	30	70
20	30	70	100
TOLERANCE UNLESS OTHERWISE SPECIFIED			
±0.15		±0.2	±0.3
±0.15		±0.2	±0.4
ANGULAR TOLERANCE ± 2°			

DELPHI Automotive Systems			
MATERIAL SPEC SEE DRAWING			
SUBSTANCES OF CONCERN AND RECYCLED CONTENT PER DELPHI-A 10949001			
PART DRAWING			DISTR CODE
CODE NUMBER	DWG DATE	SCALE	D
17FE00	17FE00	2:1	
QC SPEC	STYLE	VOLUME cm ³	
PART GEOMETRY	UNLESS OTHERWISE SPECIFIED:		
3D SOLID	THIS DOCUMENT IS IN ACCORDANCE WITH ASME Y14.5M - 1994 AS AMENDED BY THE GM GLOBAL DIMENSIONING AND TOLERANCING ADDENDUM - 1997. ALL GEOMETRIC TOLERANCES AND RELATED DATUMS APPLY RFS. RULE #1 (PERFECT FORM AT MMC) DOES NOT APPLY WHEN RELATIONSHIP BETWEEN FEATURES IS ESTABLISHED BY ORIENTATION OR LOCATION TOLERANCES. SEPARATE POSITION CALLOUTS MAY BE GAGED SEPARATELY REGARDLESS OF DATUM REFERENCES.		
	CHANGE RESTRICTED NO MANUAL CHANGES		
COPY OF MATH DATA DO NOT SCALE	REFERENCE	DR	DATE
		A1	
		APVD1 CLAUDIA WYLER	17FE00
		APVD2 P.H. CASTRILLON	21MR00
		APVD3 MIKE WOLCZAK	31MR00
		APVD4	
		APVD5	
METRIC UNLESS OTHERWISE SPECIFIED, ALL DIMENSIONS ARE IN MILLIMETERS	DRAWING NAME		
THIRD ANGLE PROJECTION	ASM CONN 7M GT 150 SLD		
SHEET NUMBER	DRAWING NUMBER	DWG STATUS	SIZE
1 OF 1	15359189	R 002 -	A1

Mouser Electronics

Authorized Distributor

Click to View Pricing, Inventory, Delivery & Lifecycle Information:

[Aptiv:](#)

[15359189](#)