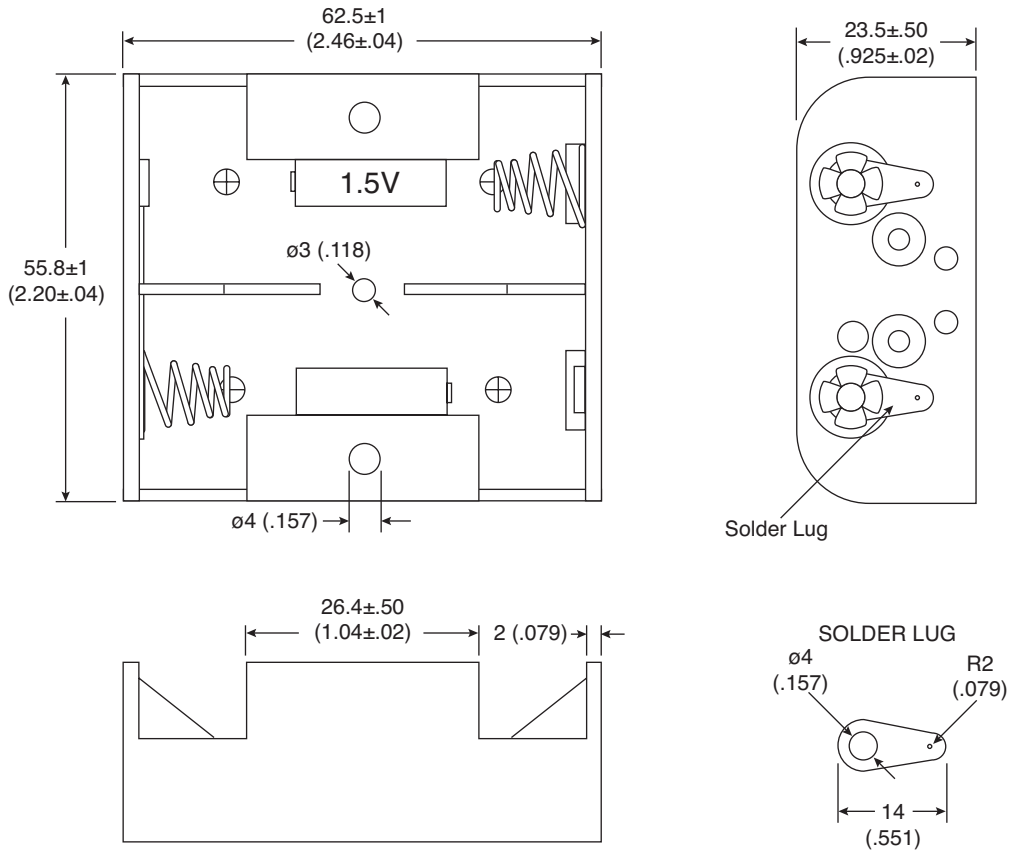


Date Last Revised: 5-9-12



Dimensions: mm (in.)

SPECIFICATIONS	
Terminal:	Solder Lugs
Material:	PP Resin
Spring:	0.8mm 65C Spring Wire
Color:	Black
RoHS Compliant	

Available from Mouser Electronics
1-800-346-6873
www.mouser.com

EPD-200586

Mouser Electronics

Authorized Distributor

Click to View Pricing, Inventory, Delivery & Lifecycle Information:

[Eagle Plastic Devices:](#)

[12BH221D-GR](#)