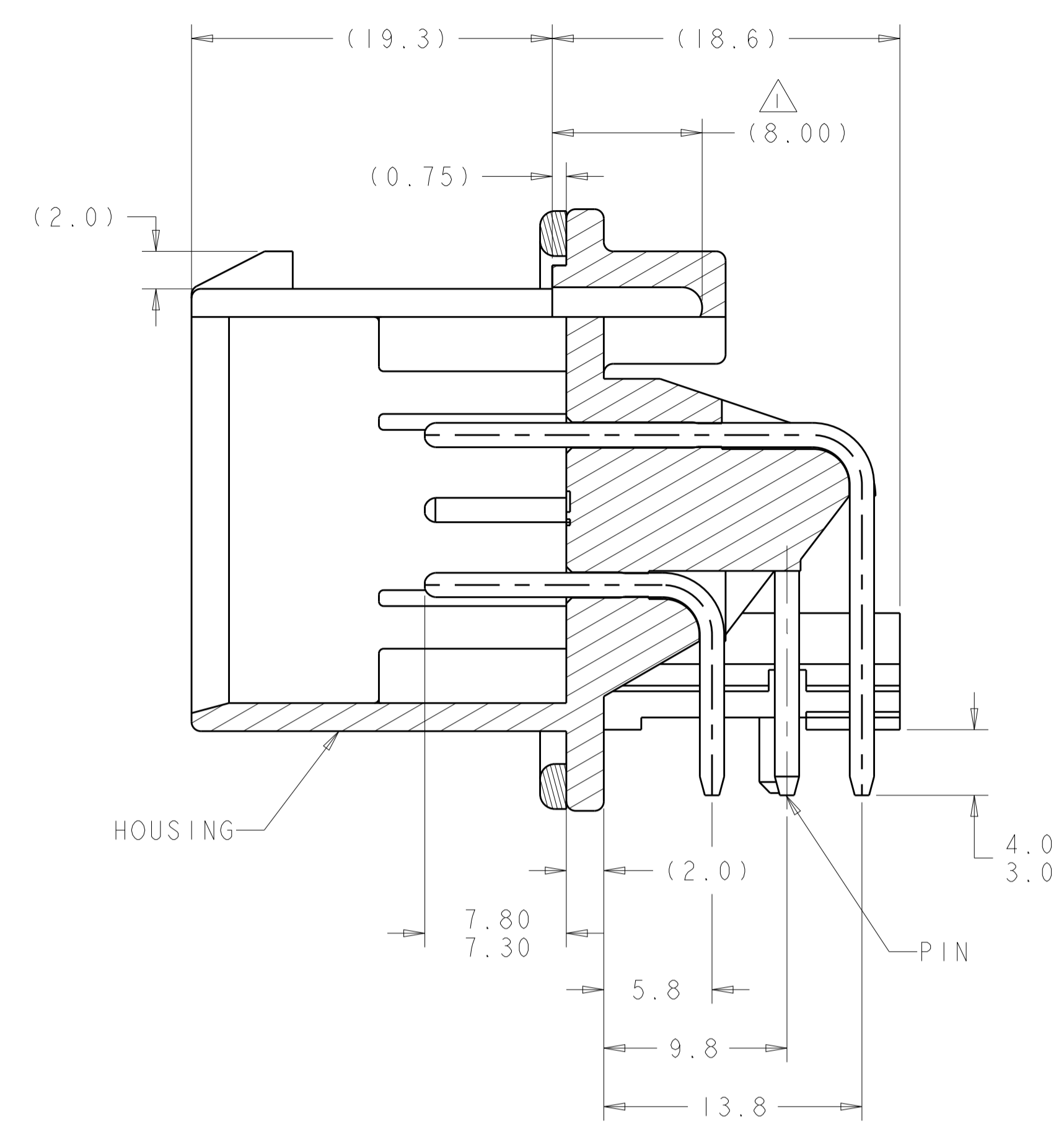
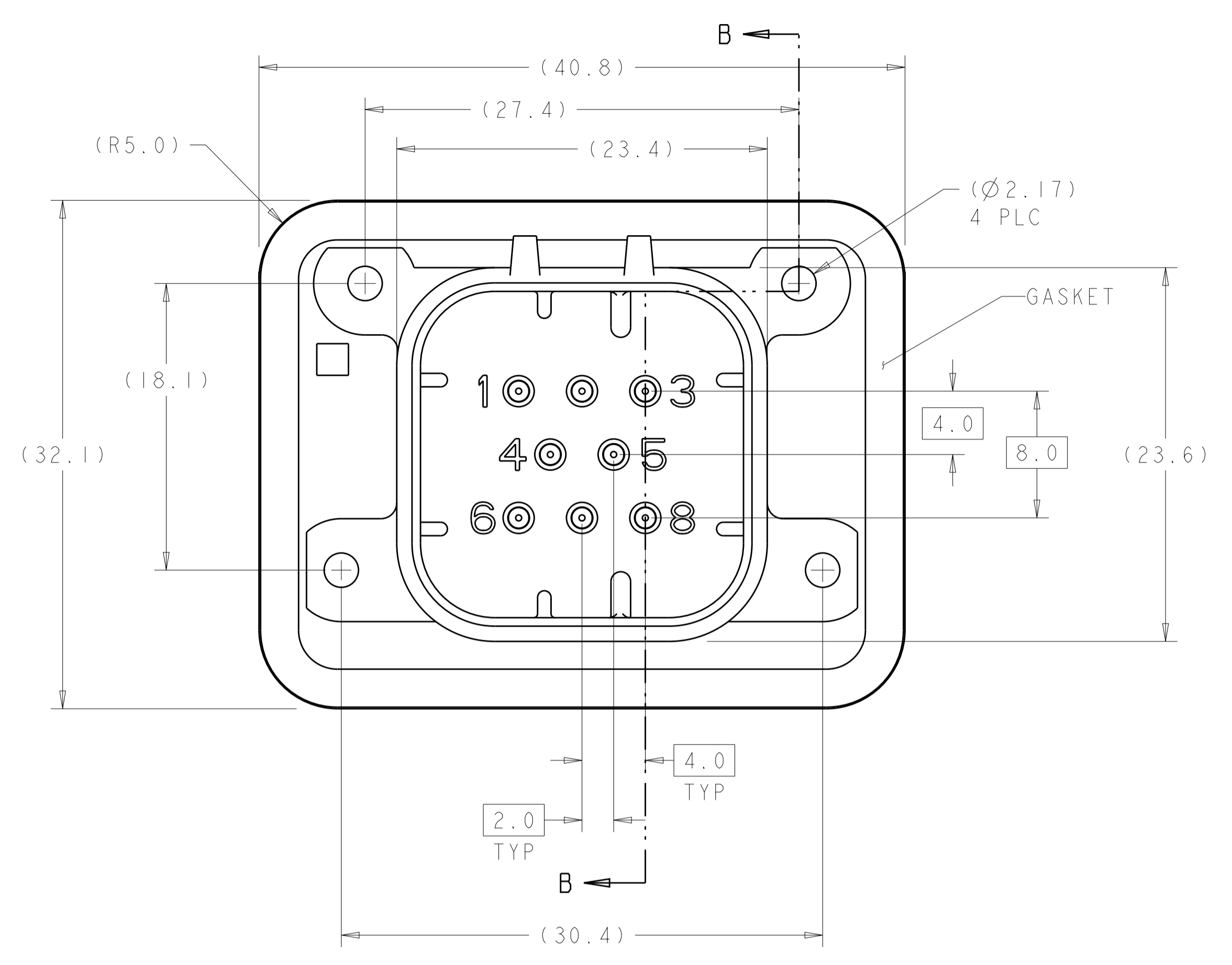
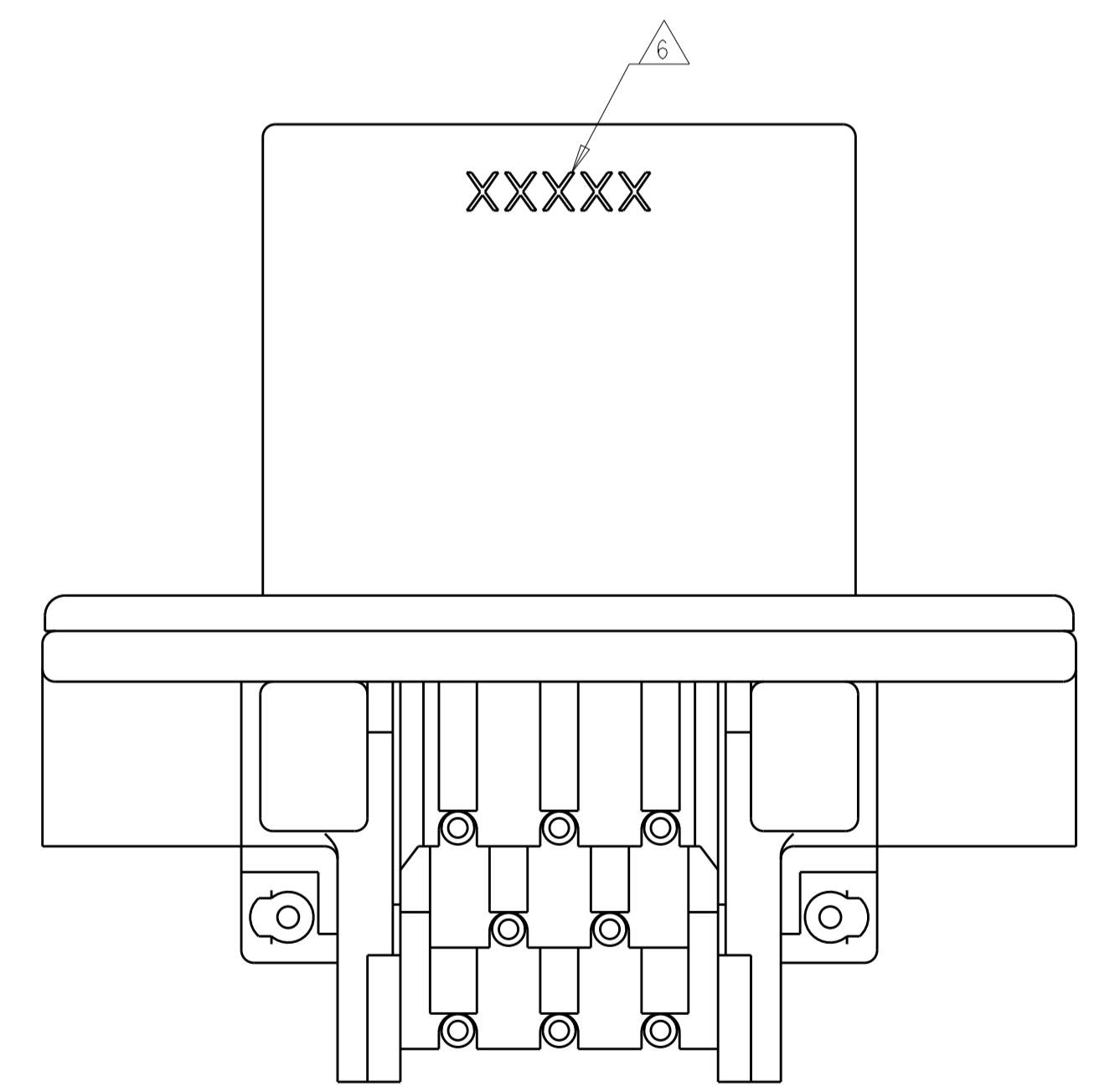


REVISIONS				
P.	LTN	DESCRIPTION	DATE	APVD
F5		REVISED PER ECO-13-020268	31DEC2013	DLD DCS
F6		REVISED PER ECO-14-019367	20JAN2015	DD DS
F7		REVISED PER ECO-15-003872	25MAR2015	DD DS
F8		REVISED PER ECO-16-003526	09MAR2016	JM DS



- △ ACCEPTS #3 SELF TAPPING THREAD FORMING SCREWS OR METRIC EQUIVALENT. DRIVE TO 0.6-0.8 N-m.
- △ HOUSING COLORS ARE MECHANICALLY KEYS TO MATE ONLY WITH IDENTICALLY COLORED PLUG ASSEMBLIES.
- △ REFER TO PAGE 2 FOR 776280-6 ASSEMBLY DIMENSIONS, RECOMMENDED MOUNTING HOLE AND P.C. BOARD LAYOUT ARE THE SAME FOR ALL DASH NUMBERS.
- 4. HEADER MATES TO PLUG ASSEMBLY 776286 WHICH USES REELED TERMINALS 770520 AND LOOSE PIECE TERMINALS 770854.
- △ MATERIALS: GASKET - SILICONE  
 HEADER HOUSING - GLASS FILLED PBT  
 PINS - TIN OR GOLD PLATED BRASS
- △ DATE CODE TO BE BRANDED IN THIS LOCATION PER TE SPEC 102-60. USE 5 DIGIT CODE: FIRST 2 DIGITS = YEAR, SECOND 2 DIGITS = WEEK, LAST DIGIT = DAY

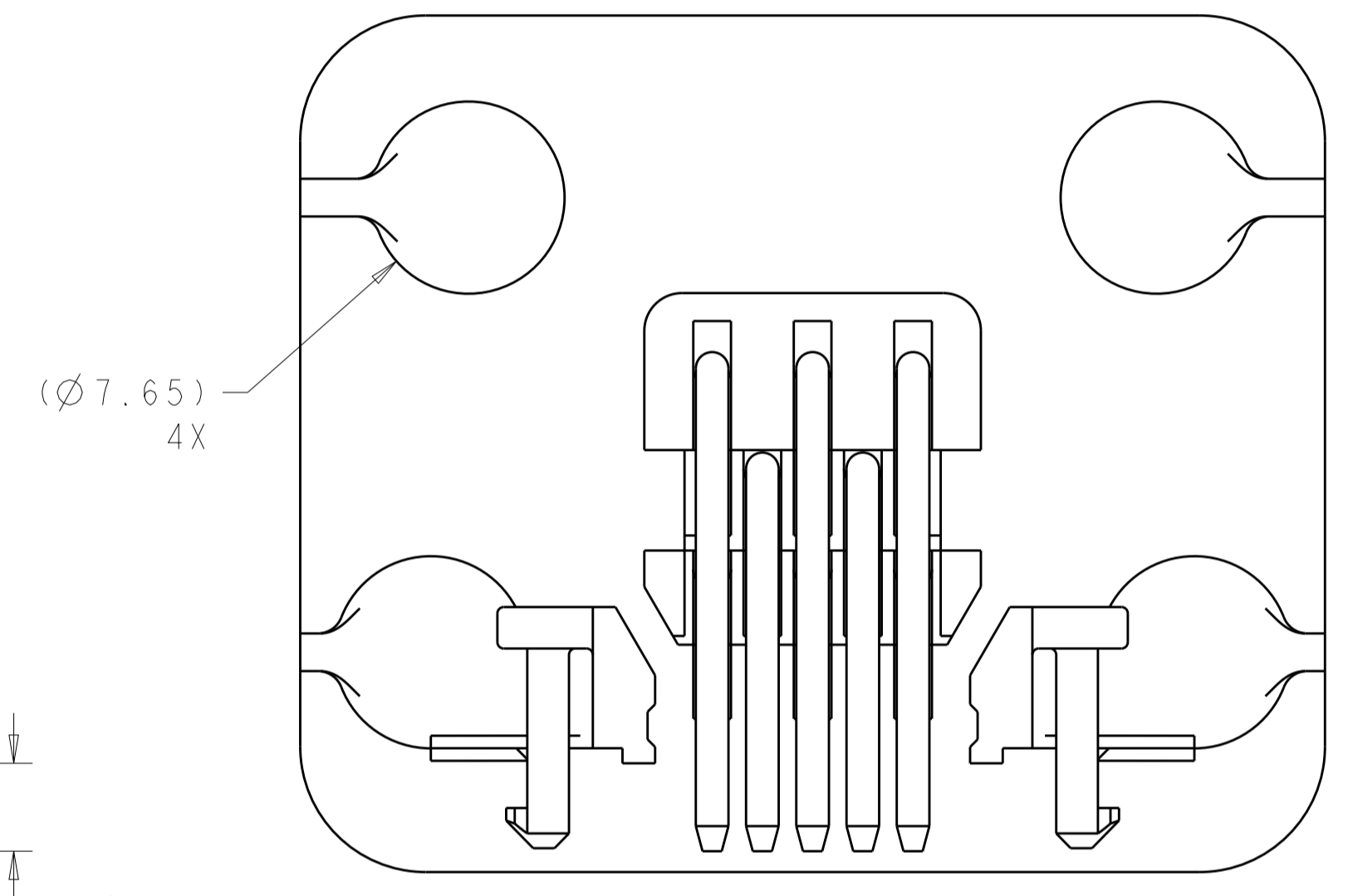
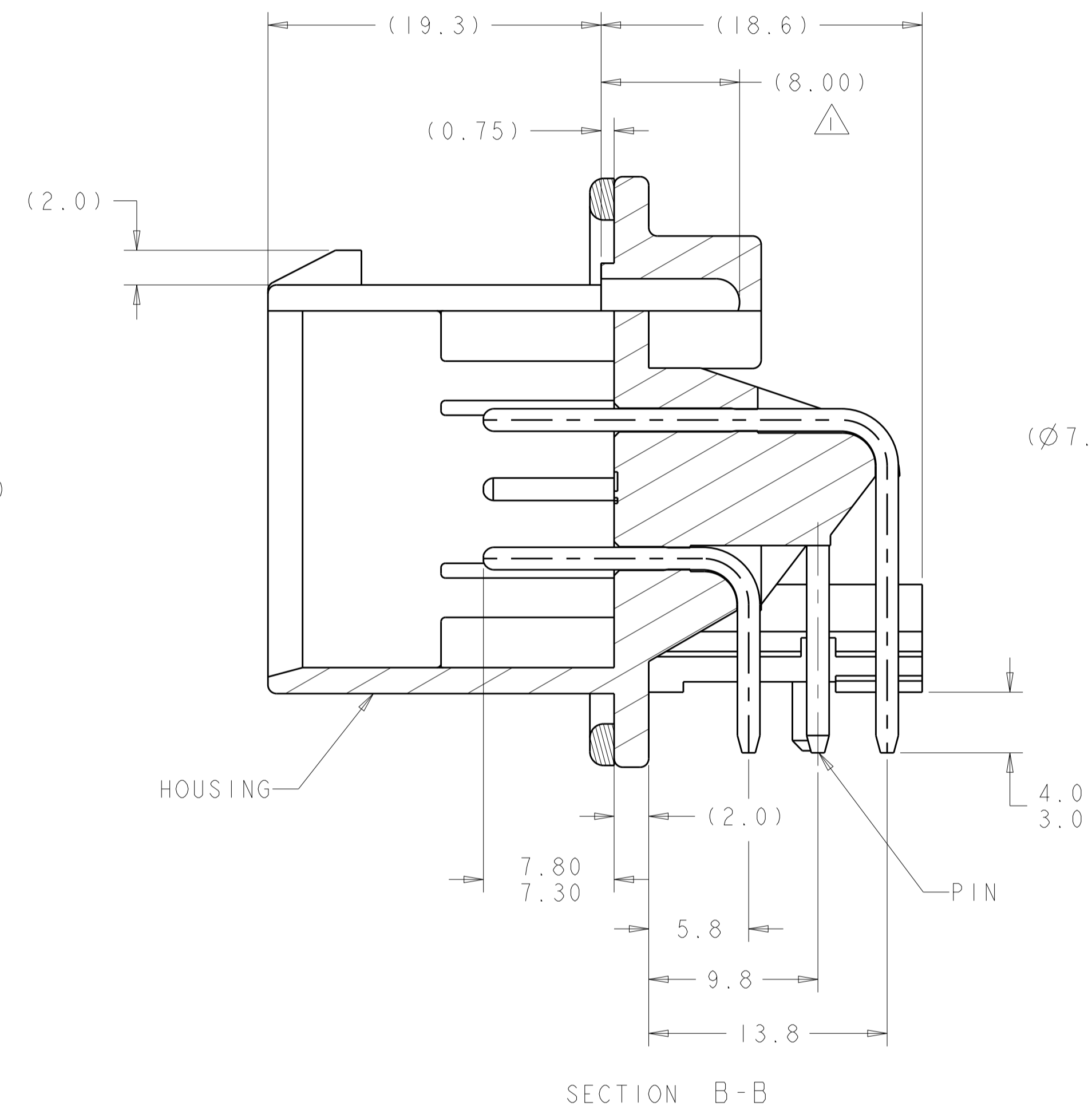
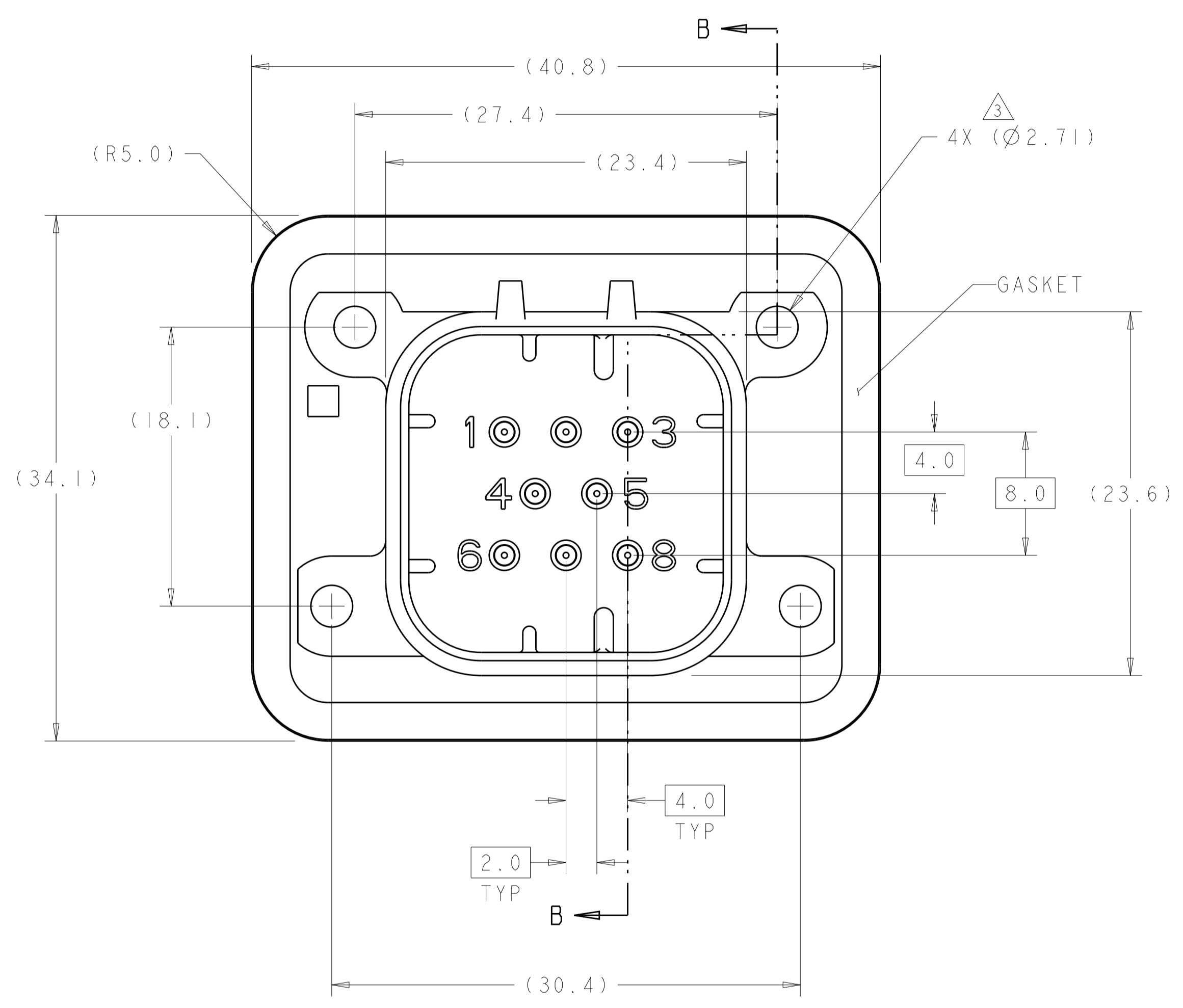


NATURAL	DURAGOLD PLATED	1-776280-2
BLACK	DURAGOLD PLATED	1-776280-1
BLACK	TIN PLATED	△ 776280-6
NATURAL	TIN PLATED	776280-2
BLACK	TIN PLATED	776280-1
HEADER HOUSING COLOR	PIN	PART NUMBER

THIS DRAWING IS A CONTROLLED DOCUMENT.		OWN J. MARKEY 29FEB08	
DIMENSIONS: mm		CHK J. MARKEY 29FEB08	
TOLERANCES UNLESS OTHERWISE SPECIFIED:		APVD J. MARKEY 29FEB08	
0 PLC ±0.2	1 PLC ±0.13	2 PLC ±0.13	NAME
3 PLC ±0.13	4 PLC ±0.13	ANGLES ±0.5°	PRODUCT SPEC
MATERIAL	FINISH	RESTRICTED TO	108-1329
5	3	SCALE	APPLICATION SPEC
CUSTOMER DRAWING		SIZE	114-16016
SCALE 4:1		WEIGHT	100779
SHEET 1 OF 3		CAGE CODE	C=776280
REV F8		DATE	

REVISIONS				
P.	LTN.	DESCRIPTION	DATE	APVD.
-	-	SEE SHEET 1	-	-

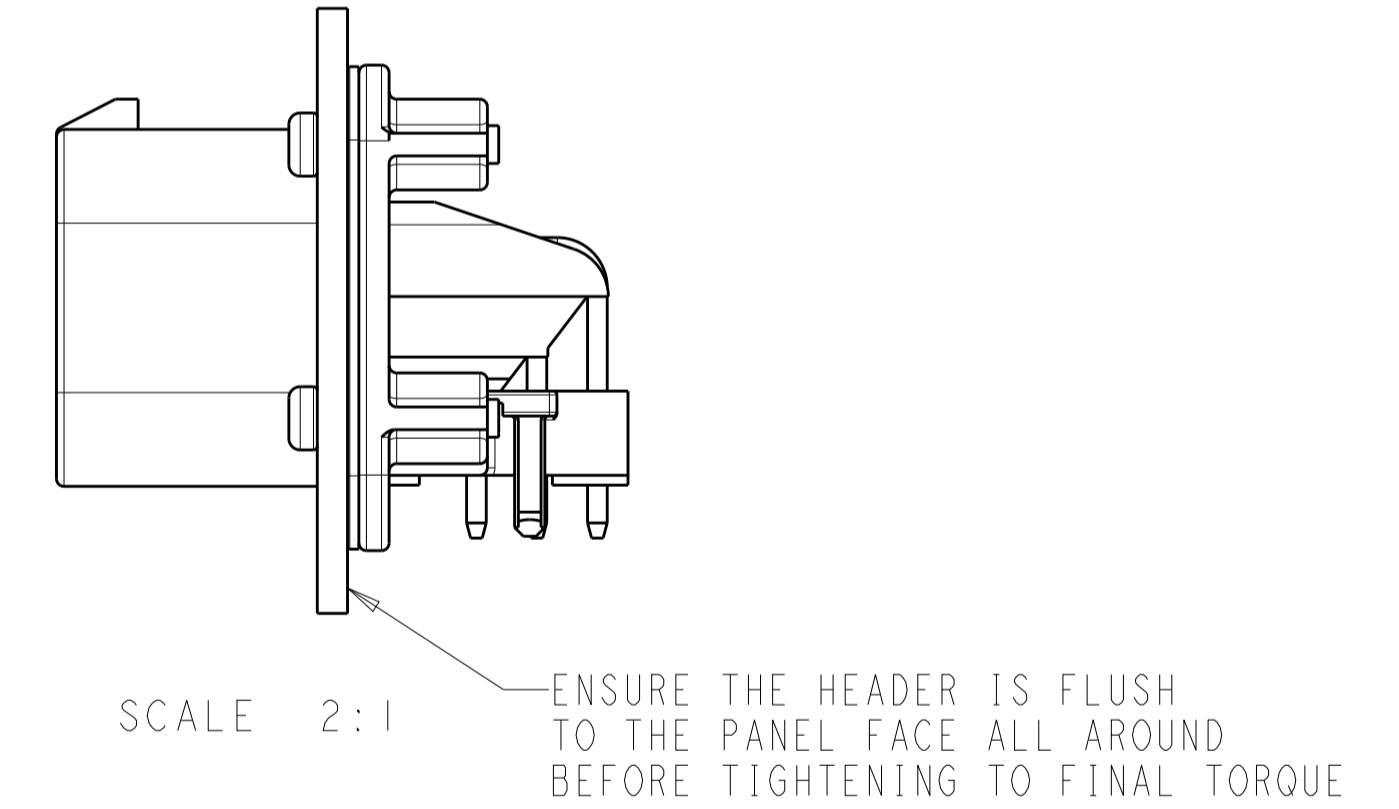
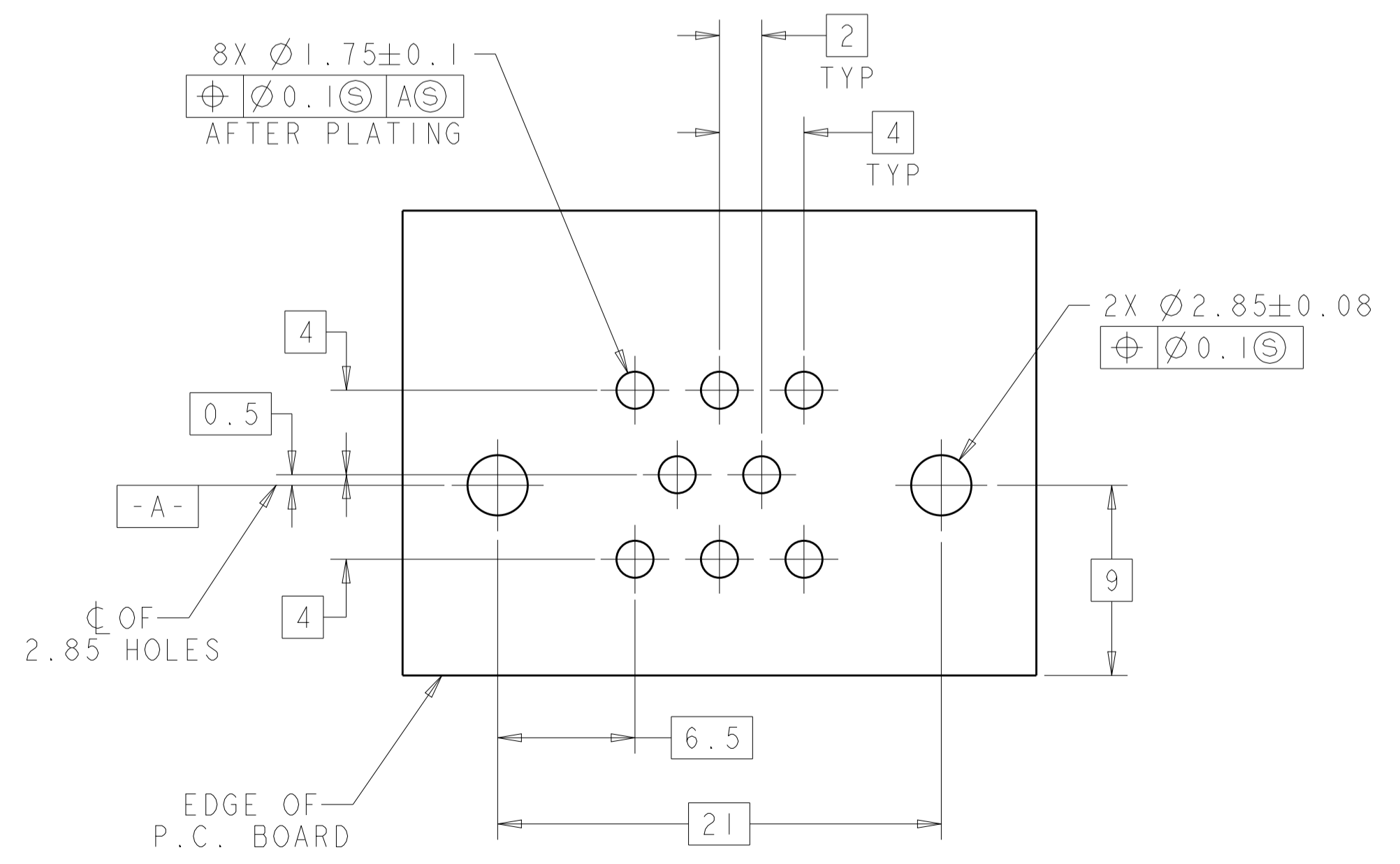
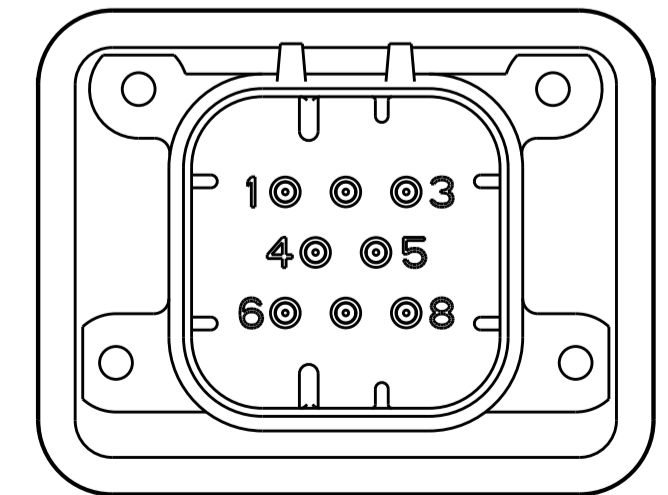
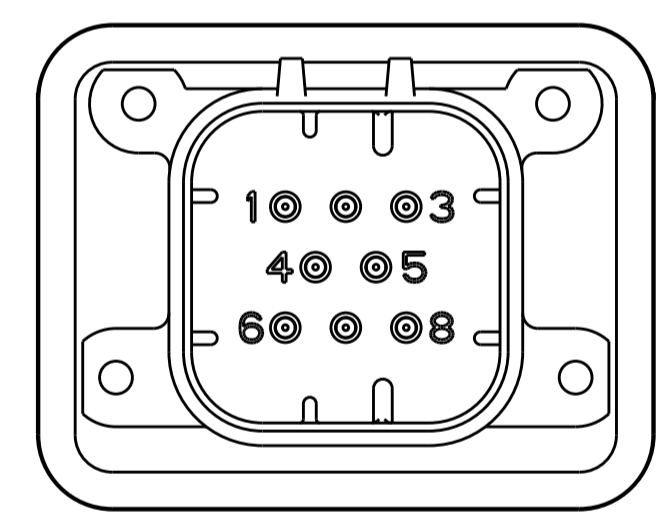
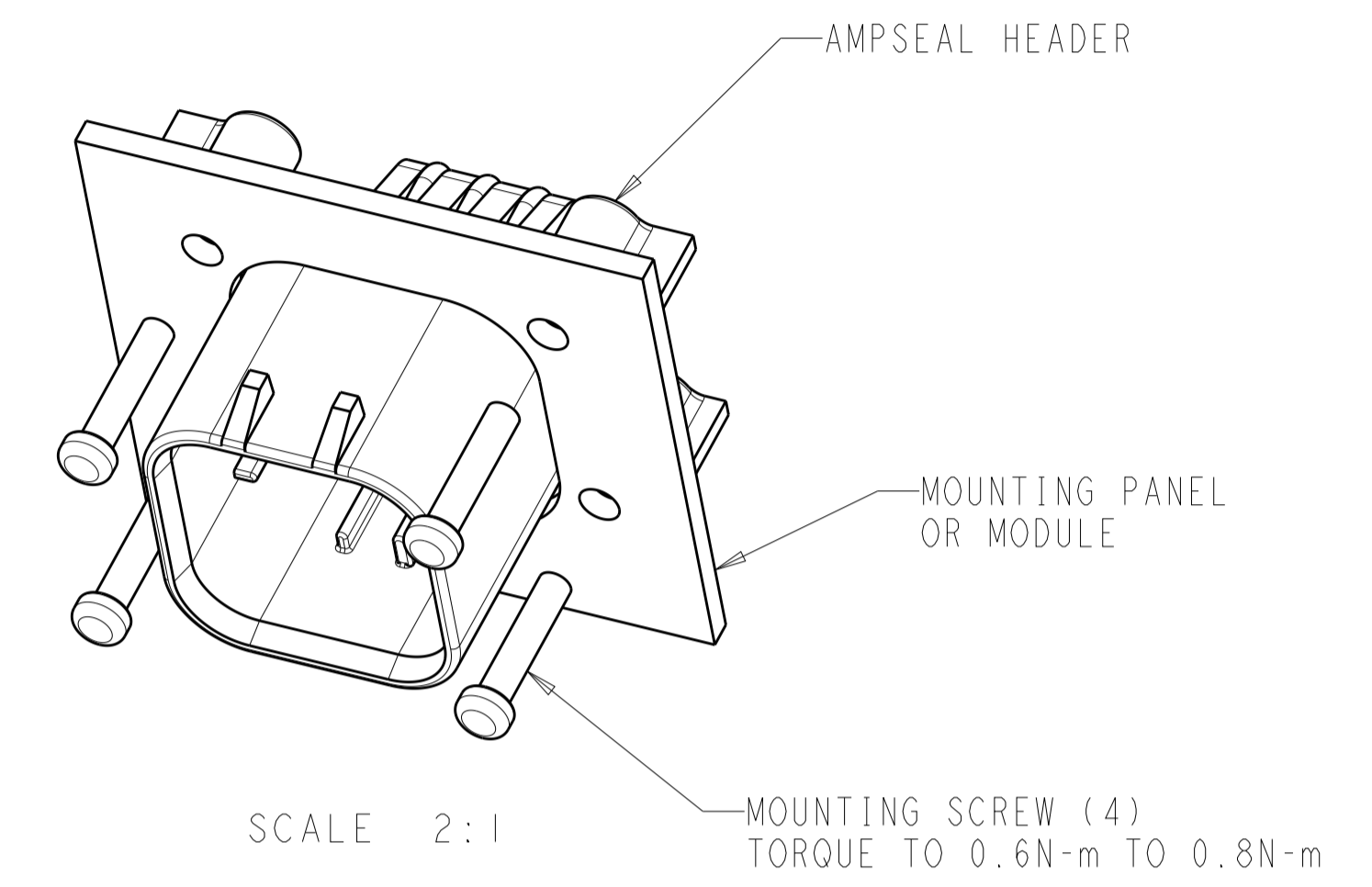
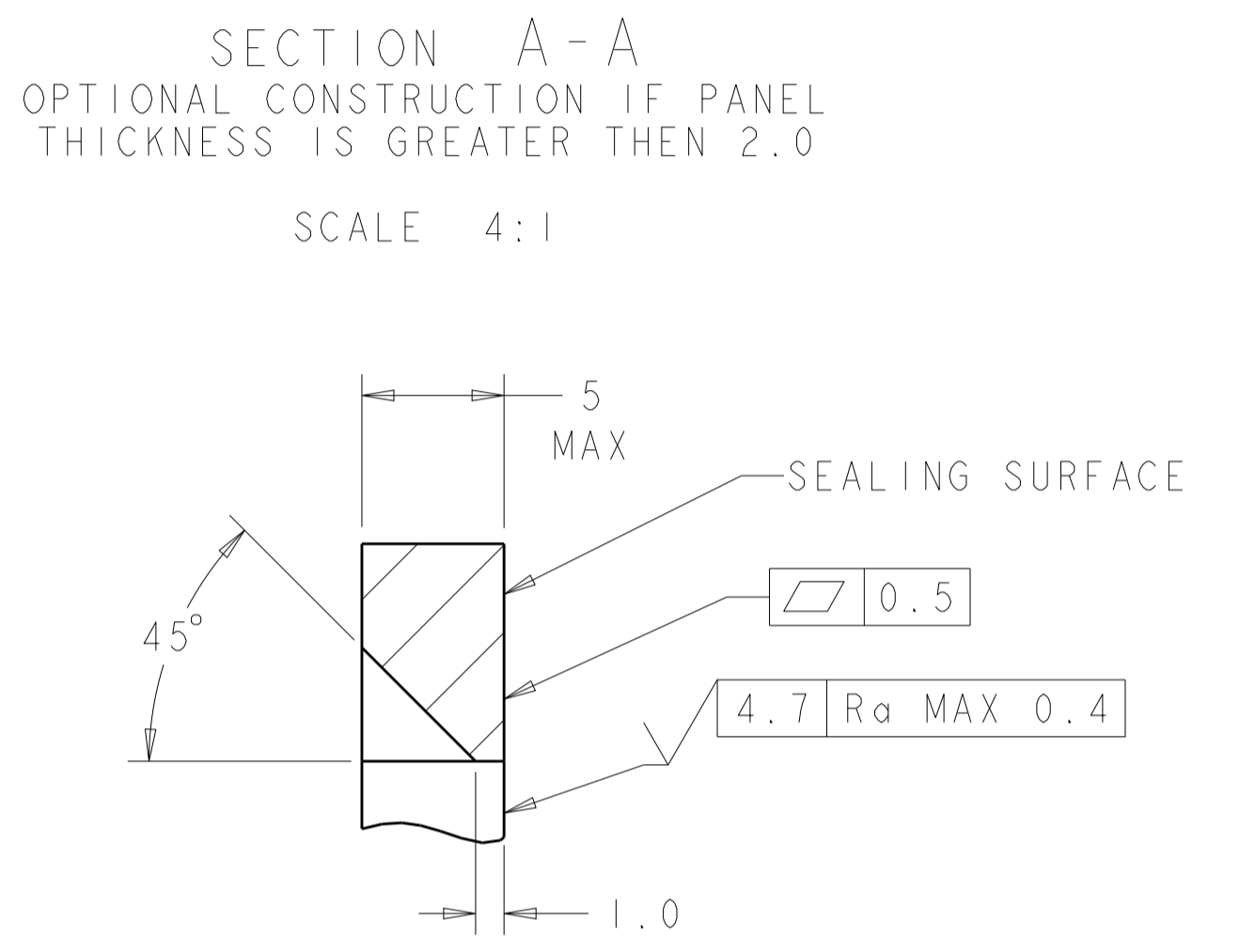
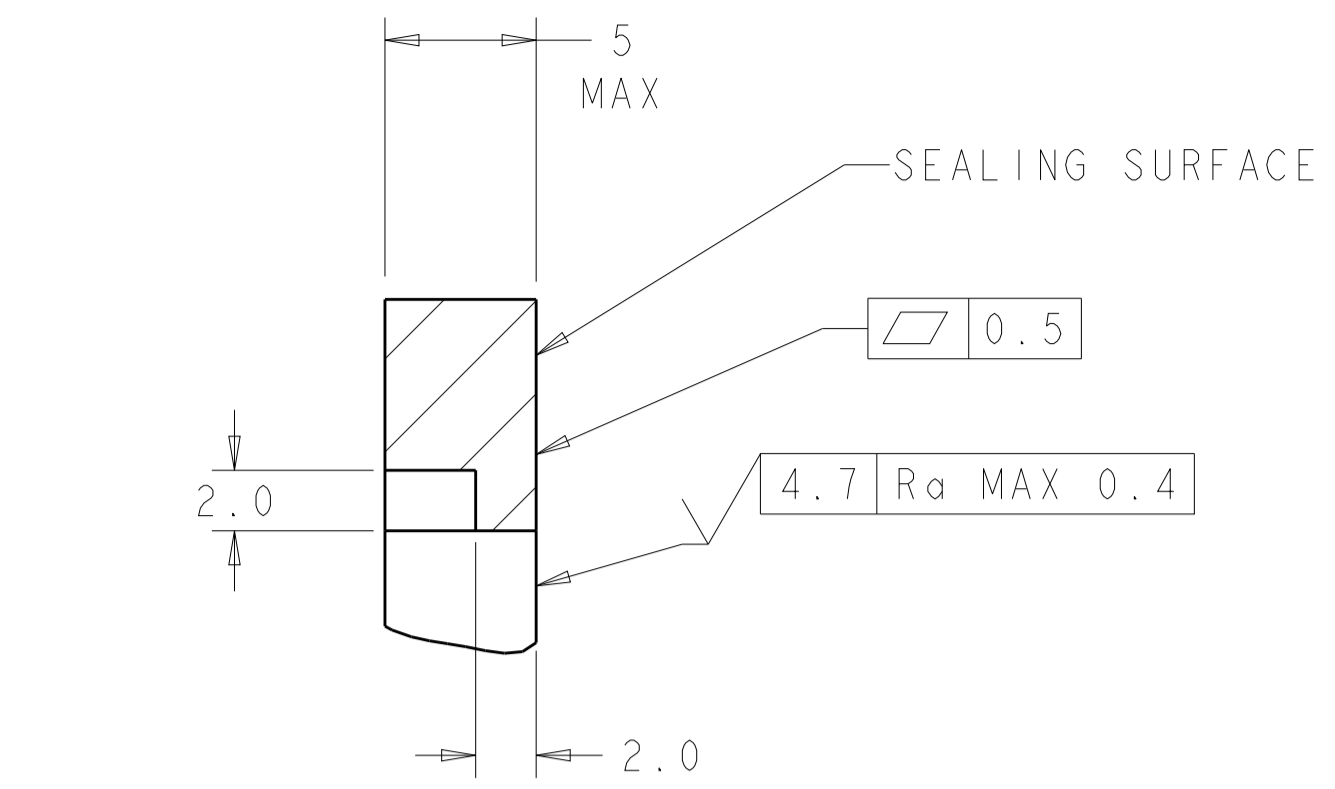
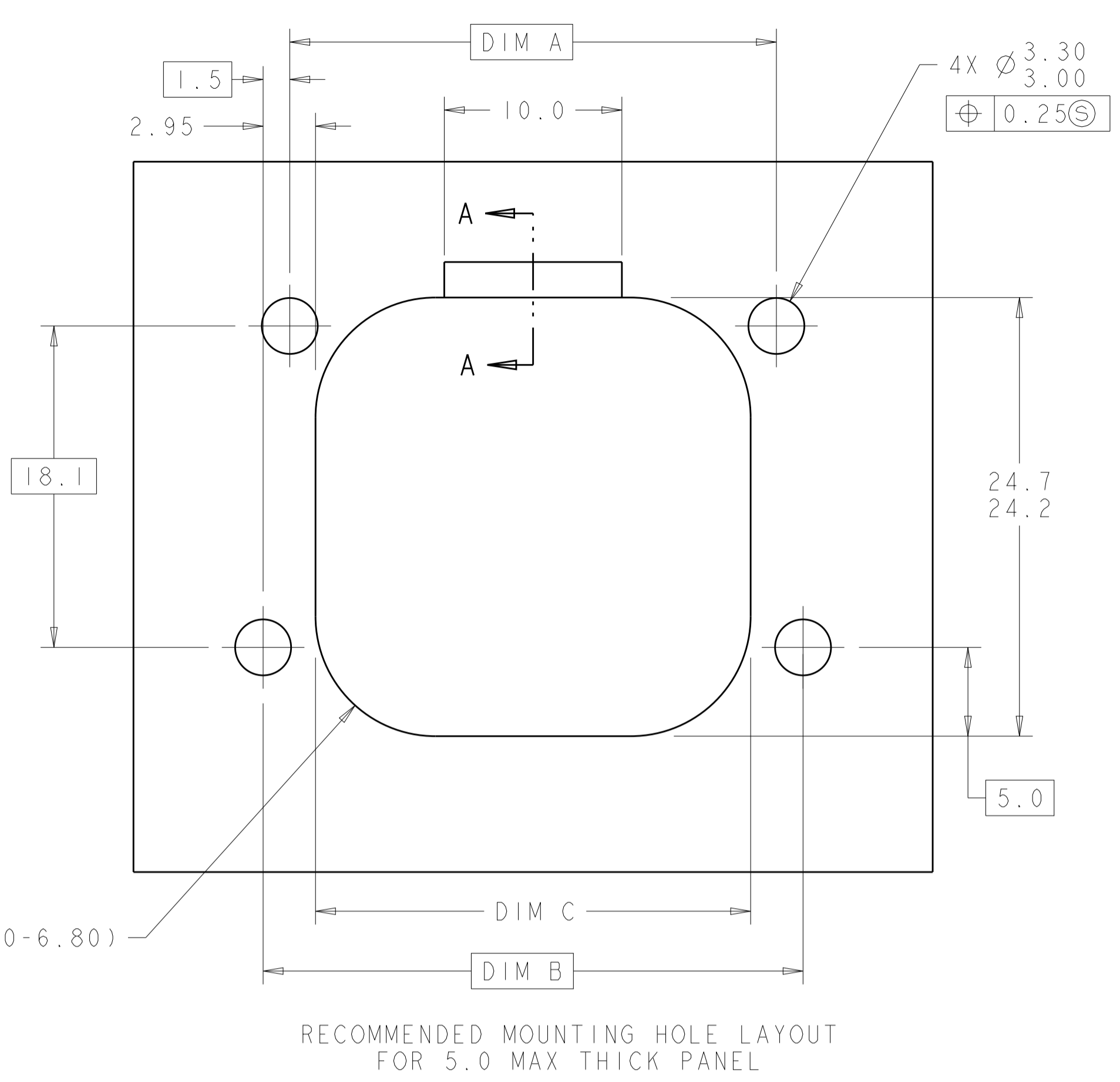
- 1 ACCEPTS #4-20 SELF TAPPING THREAD FORMING TWIN HELIX PLASTITE SCREW (SINGLE HELIX OPTIMAL)
- 2 HOUSING COLORS ARE MECHANICALLY KEYED TO MATE ONLY WITH IDENTICALLY COLORED PLUG ASSEMBLIES.
- 3 0° 30' MAX DRAFT FROM TOP OF HOLE (1° INCLUDED ANGLE)



ASSEMBLY DIMENSIONS APPLY TO 776280-6 ONLY  
(HOLE LAYOUT AND P.C. BOARD LAYOUT SHOWN ON SHEET 1 APPLY TO ALL DASH NUMBERS)

THIS DRAWING IS A CONTROLLED DOCUMENT.		DWN J. MARKEY 29FEB08	BLACK	TIN PLATED	776280-6
DIMENSIONS:		CHK J. MARKEY 29FEB08	HEADER HOUSING COLOR	PIN	PART NUMBER
TOLERANCES UNLESS OTHERWISE SPECIFIED:		APVD J. MARKEY 29FEB08	TE Connectivity NAME HEADER ASSEMBLY, 8 POSITION, RIGHT ANGLE, AMPSEAL		
mm		PRODUCT SPEC 108-1329			
0 PLC ± 1 PLC ±0.2 2 PLC ±0.13 3 PLC ± 4 PLC ± ANGLES ±°		APPLICATION SPEC 114-16016	SIZE A100779	CAGE CODE C=776280	DRAWING NO 776280
MATERIAL		WEIGHT	RESTRICTED TO		
FINISH		CUSTOMER DRAWING	SCALE 2:1	SHEET 2	OF 3
			REV F8		

REVISIONS				
P.	LTN.	DESCRIPTION	DATE	APVD.
-	-	SEE SHEET 1	-	-



THIS DRAWING IS A CONTROLLED DOCUMENT.		DWN J. MARKEY 29FEB08 CHK J. MARKEY 29FEB08 APVD J. MARKEY 29FEB08	TE Connectivity
DIMENSIONS: mm TOLERANCES UNLESS OTHERWISE SPECIFIED: 0 PLC $\pm 0.2$ 1 PLC $\pm 0.13$ 2 PLC $\pm 0.13$ 3 PLC $\pm 0.13$ 4 PLC $\pm 0.13$ ANGLES $\pm 0.5^\circ$		PRODUCT SPEC 108-1329 APPLICATION SPEC 114-16016 WEIGHT CUSTOMER DRAWING	

# Mouser Electronics

Authorized Distributor

Click to View Pricing, Inventory, Delivery & Lifecycle Information:

[TE Connectivity:](#)

[1-776280-1](#)