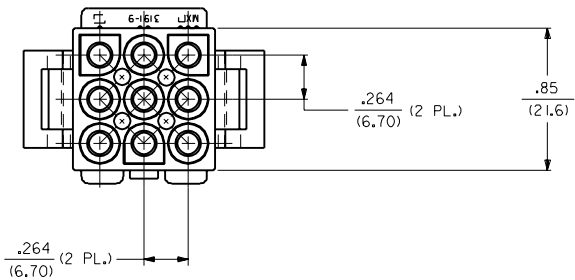


PLUG



| | |
|---------------|--|
| J1 | ADD RAMP DIM'S ECN #U4 0293 3-1-94 RW |
| J2 | REV. AND REDRAWN ECN #U03592 GEP 8-2-89 RW |
| J1 | |
| MFG. SH. REV. | LTR. REVISIONS |

| | | | | | |
|--|--------------|---|-------------|---------------------------|-------------|
| DIMENSIONS SHOWN METRIC (INCH) | | UNLESS OTHERWISE SPECIFIED TOLERANCES: ANGULAR ± .005° TO | | REVISE ONLY ON CAD SYSTEM | |
| TITLE | | PART NO. | | DRAWING NO. | |
| .093/(2.36) HOUSING, PLUG AND RECEPTACLE, 9 CKT ±.264/(6.70) CTRS. | | SEE CHART | | SD-3191-9* | |
| MOLEX INCORPORATED | | LITSEJLL. | | 60532 | |
| SHEET NO. 1 OF 3 | | DATE 8 / 2 / 89 | | U.S.A. | |
| DRWG. BY: CEP | CHKD. BY: RW | FILE NAME: S31919X1 | DRWG. NO.: | DRWG. DATE: | DRWG. SIZE: |
| APP'D. BY: RAS | SCALE: 2:1 | DRWG. NO.: | DRWG. DATE: | DRWG. SIZE: | DRWG. SIZE: |

| PLUG | |
|------------|--------------|
| PART NO. | ENG. NO. |
| 19-09-2098 | 3191-9P |
| 19-09-2099 | 3191-9P1 |
| 19-09-2097 | 3191-9P-201 |
| 19-09-2096 | 3191-9P1-201 |
| | |
| | |

| RECEPTACLE | |
|------------|--------------|
| PART NO. | ENG. NO. |
| 19-09-1099 | 3191-9R1 |
| 19-09-1096 | 3191-9R1-201 |
| | |
| | |

LEGEND:

3191-9****-*

CIRCUIT SIZE

P = PLUG
R = RECEPTACLE

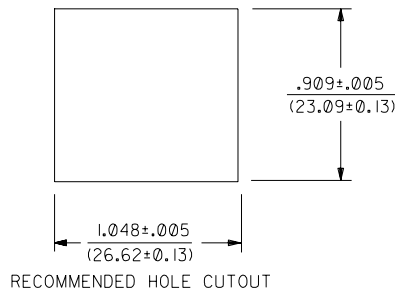
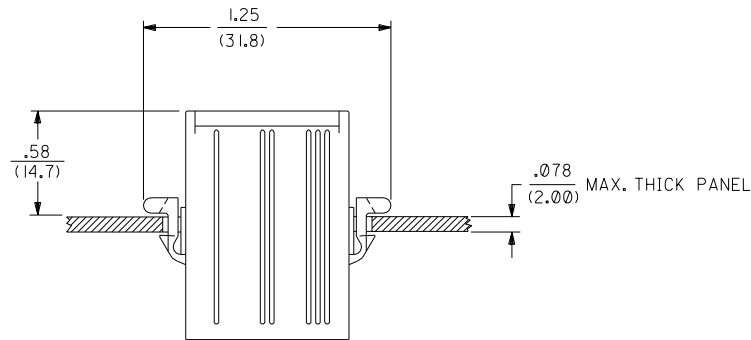
EARS: BLANK = WITH PREBENT EARS (PLUG ONLY)
I = WITHOUT EARS

COLOR: BLANK = NATURAL COLOR

AM=AMBER BK=BLACK BU=BLUE
BN=BROWN GY=GRAY GN=GREEN
OR=ORANGE RD=RED YW=YELLOW

COLORS AVAILABLE ONLY IN 94V-2 MATERIAL

MATERIAL: BLANK=NYLON TYPE 6/6, 94V-2
201=NYLON TYPE 6/6, 94V-0



NOTES:

1. THESE HOUSINGS FOR USE WITH MOLEX .093/(2.36) DIAMETER SERIES TERMINALS.

| | |
|---|---------------|
| DIMENSIONS SHOWN (METRIC) INCH | |
| UNLESS OTHERWISE SPECIFIED TOLERANCES: ANGULAR ± .02° 0 | |
| 3 PLACE | ± .010 --- |
| 2 PLACE | ± .014 ± 0.25 |
| 1 PLACE | --- ± 0.35 |
| DRAFT WHERE APPLICABLE MUST REMAIN WITHIN DIMENSIONS | |
| DRWG. BY | GEP |
| CHK'D. BY | RW |
| APP'D. BY | RAS |
| SCALE | ---:--- |

| | | |
|--|---|---------------------------|
| REVISIONS | J | SEE SHT. 1 |
| REVISIONS | LTR. | REVISIONS |
| TITLE | | REVISE ONLY ON CAD SYSTEM |
| .093/(2.36) HOUSINGS PLUG AND RECEPTACLE 9 CKT., .264/(6.70) CTRS. | | |
| MOLEX INCORPORATED LITSE, ILL. 60532 U.S.A. | SHEET NO. 3 | DATE 8/ 2/89 |
| PART NO. SEE CHART | DRWG. NO. SD-3191-9* | |
| FILE NAME S31919K3.DGN | THIS DRAWING CONTAINS INFORMATION THAT IS PROPRIETARY TO MOLEX INC. AND SHOULD NOT BE USED WITHOUT WRITTEN PERMISSION | DIV. CP |