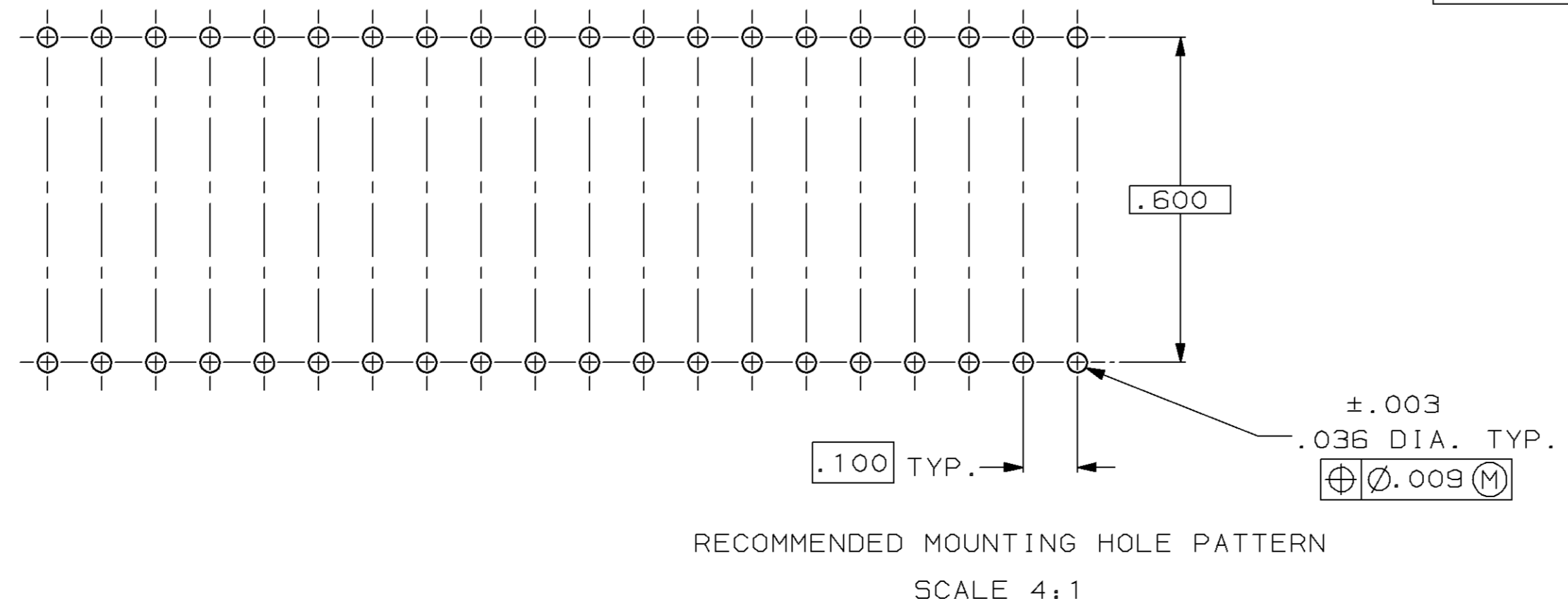
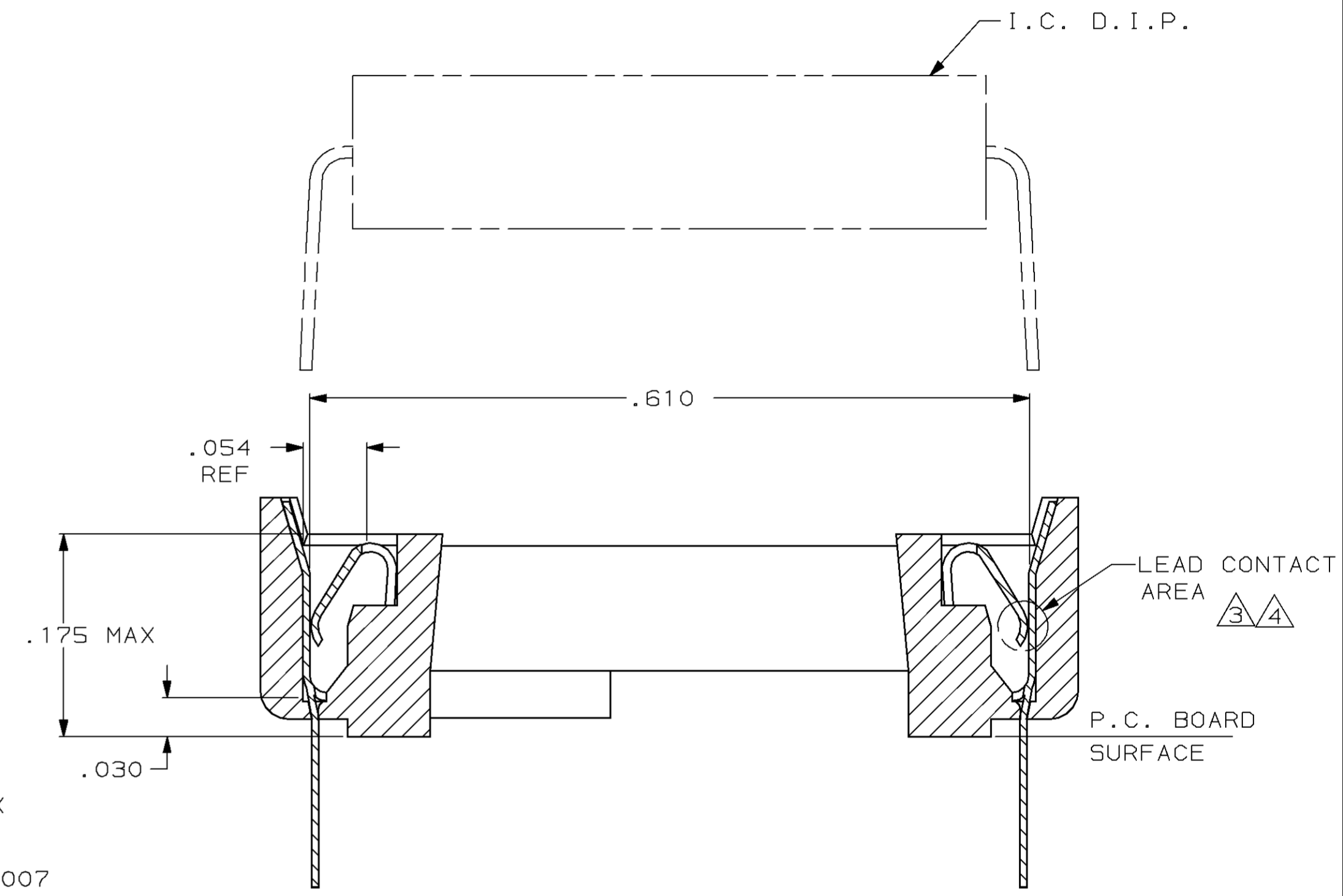
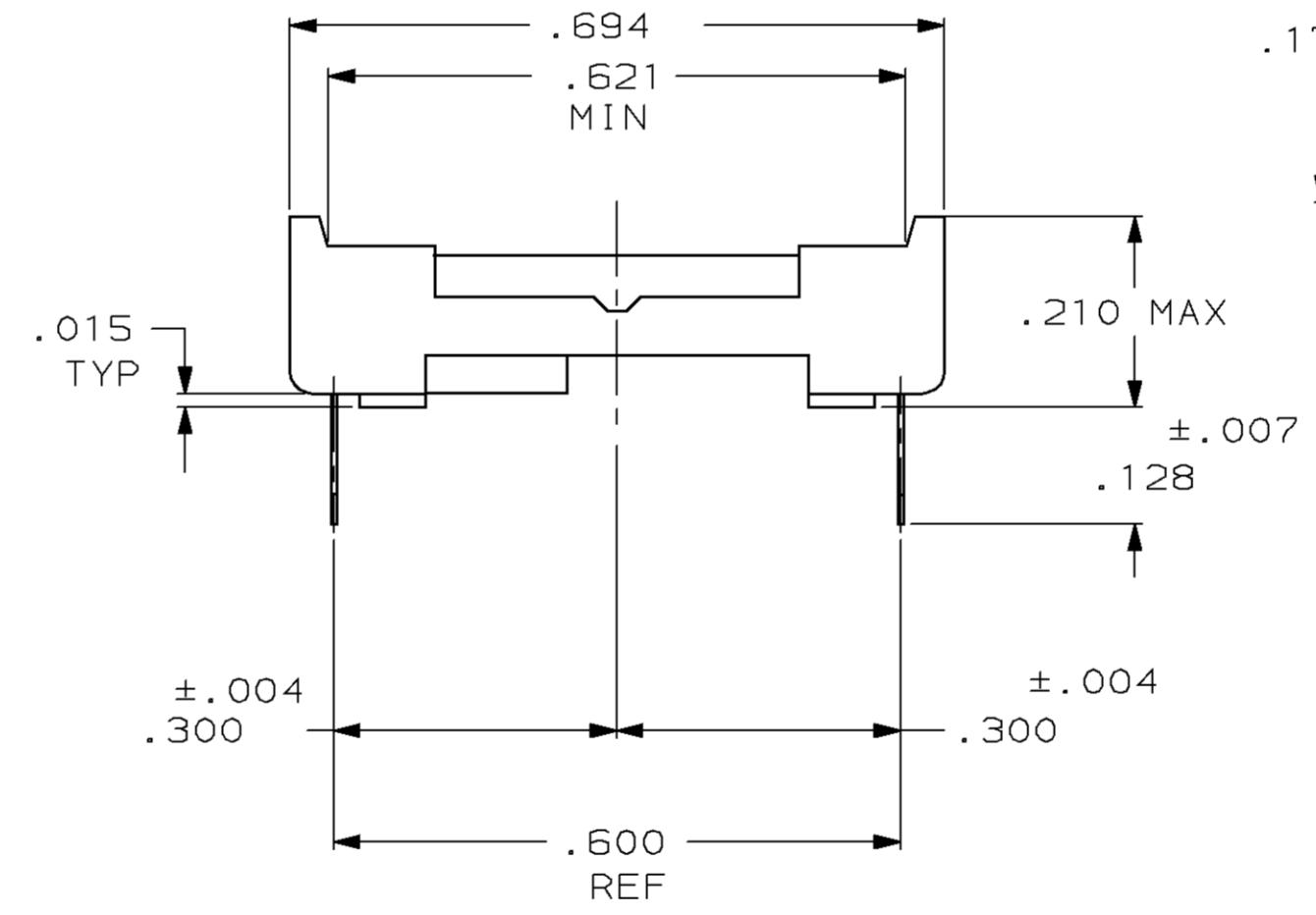
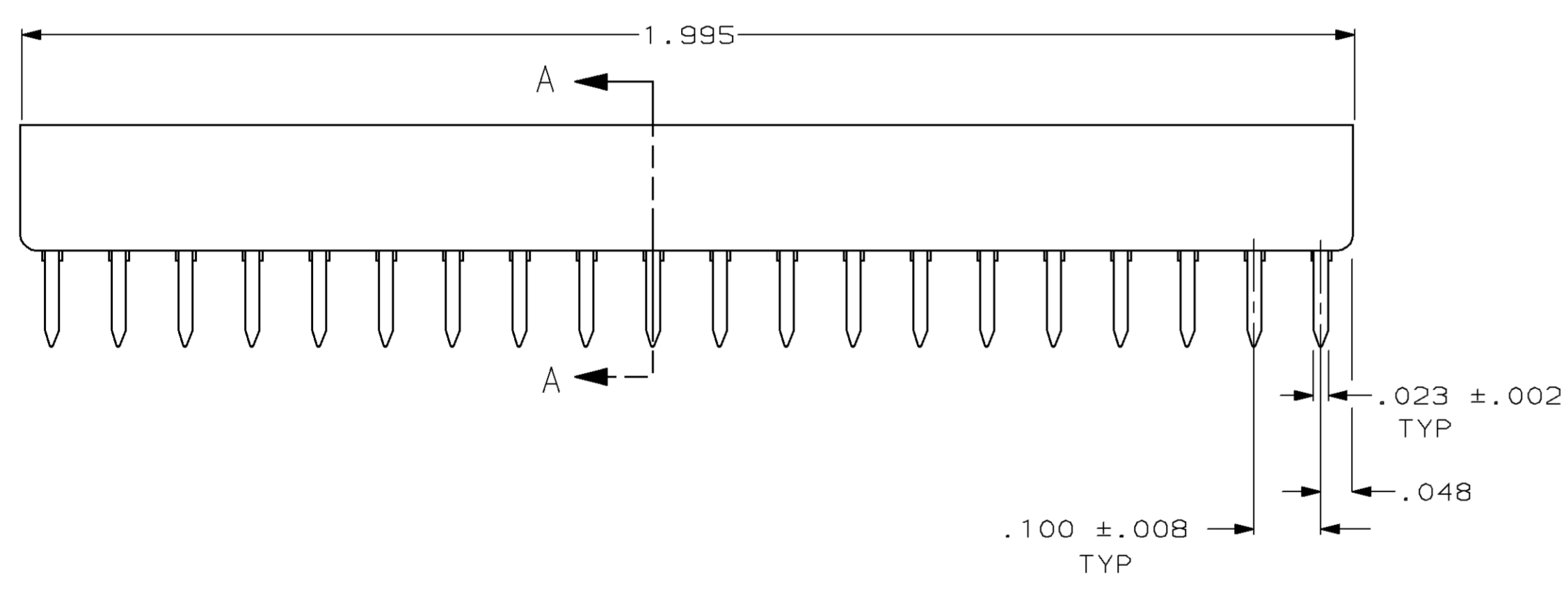
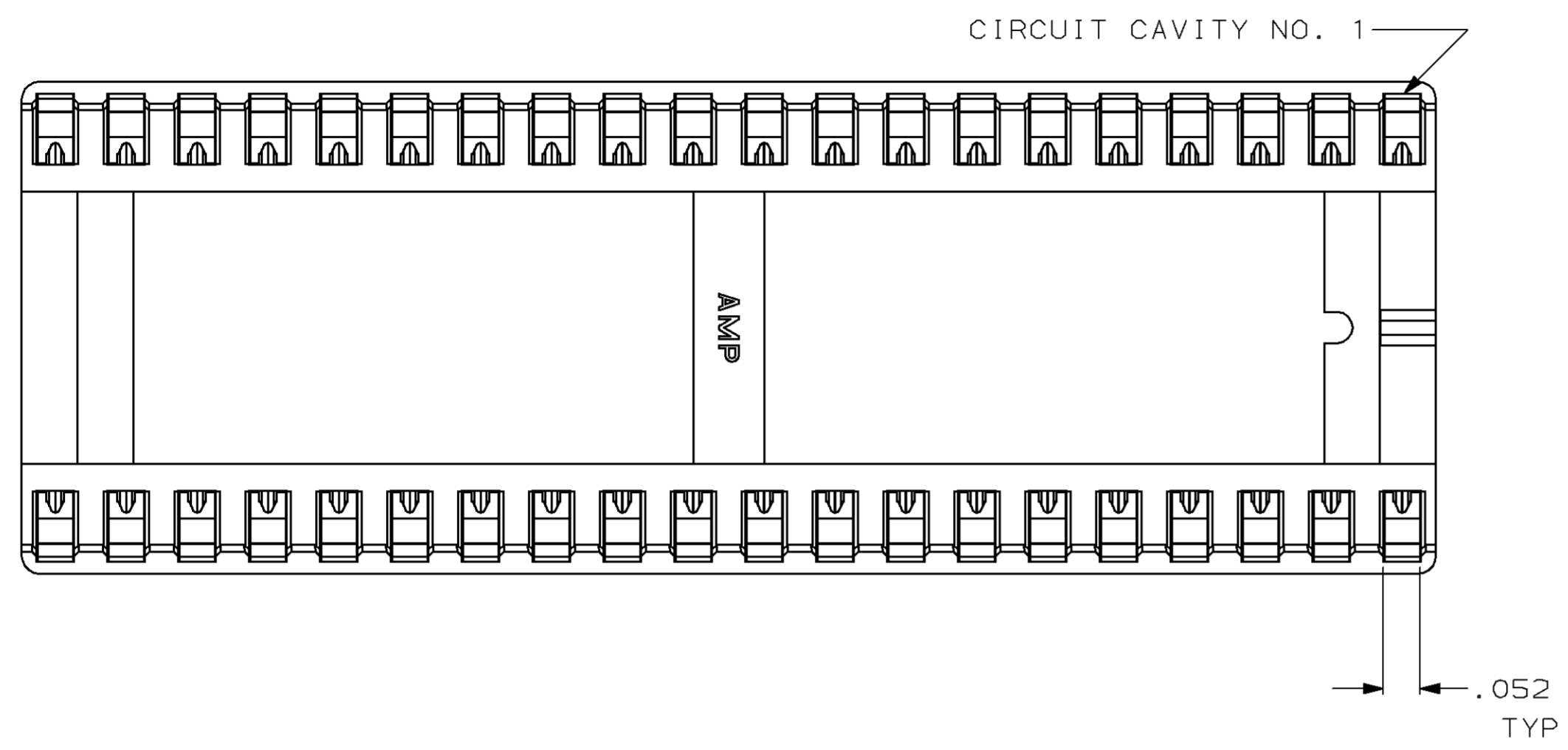


LOC		DIST		REV		ZONE		LTR		REVISIONS		DATE	APPD
FT	64	P	F					T	U	SUPSD 2--5 PER 0160-4756-95	7-11-96	WS	
										REV PER EC 0320-138-97	07 MAY 97	GJ	

- RECEPTACLE ACCEPTS A .008-.014 THICK I.C. LEAD.
- TUBE LOADED FOR AUTOMATIC INSERTION.
- TWO .000030 MIN THK. GOLD STRIPES IN CONTACT AREA WITH TIN-LEAD (93/7) ON CONTACT LEGS, BALANCE OF CONTACT NICKEL PLATED.
- TWO .000015 MIN THK. GOLD STRIPES IN CONTACT AREA WITH TIN-LEAD (93/7) ON CONTACT LEGS, BALANCE OF CONTACT NICKEL PLATED.
- SEE RESTRICTED CUSTOMER DRAWING 4-641606-3.



SUPERSEDED BY 2-641606-3

CONTACT FINISH	CONTACT MAT'L	HOUSING MATERIAL	PART NO.
TINNED	PHOS.BRZ. .006 THK	GLASS-FILLED THERMOPLASTIC, 94V-0, BLACK	2-641606-5
△	PHOS.BRZ. .006 THK	GLASS-FILLED THERMOPLASTIC, 94V-0, BLACK	2-641606-4
TINNED	PHOS.BRZ. .006 THK	GLASS-FILLED THERMOPLASTIC, 94V-0, BLACK	2-641606-3
△	BE.CU. .006 THK	GLASS-FILLED THERMOPLASTIC, 94V-0, BLACK	2-641606-2
TINNED	BE.CU. .006 THK	GLASS-FILLED THERMOPLASTIC, 94V-0, BLACK	2-641606-1

UNLESS OTHERWISE SPECIFIED DIMENSIONS ARE IN INCHES TOLERANCES ON :		DR		AMP			
2 PL DEC ±.005	3 PL DEC ±.005	CHK	M.CYRUS	8-17-87	AMP INCORPORATED Harrisburg, Pa. 17105		
ANGLES ±0°30'		APPD	R.MILLER	8-31-87			
SEE TABLE		APPD	J.LAMBERT	9-4-87	NAME SOCKET ASSY, DIP, LADDER, 40 POS, DIPLOMATE™ DL		
SEE TABLE		PRODUCT SPEC		108-1066			
SEE TABLE		APPLICATION SPEC		114-1049	SIZE	FSCM NO	DRAWING NO
		WEIGHT			D	00779	641606
					SCALE	5:1	SHEET 1 OF 1