

PLEASE CHECK WWW.MOLEX.COM FOR LATEST PART INFORMATION

Part Number: [0761651615](#)

Status: **Active**

Overview: [Impact Backplane Connector and Cable Assembly System](#)

Description: Impact 100 Ohm 3 Pair Vertical Backplane Header, Unguided, Left Endwall, 16 Columns, 144 Circuits, Pin Length 5.50mm, Plated Through Hole Dimension 0.46mm, Lead-Free

Documents:

3D Model	Application Specification AS-76060-9999-001 (PDF)
Drawing (PDF)	Packaging Specification PK-70873-7700-001 (PDF)
Product Specification PS-76060-999-001 (PDF)	RoHS Certificate of Compliance (PDF)
Application Specification AS-76060-990-001 (PDF)	

Agency Certification

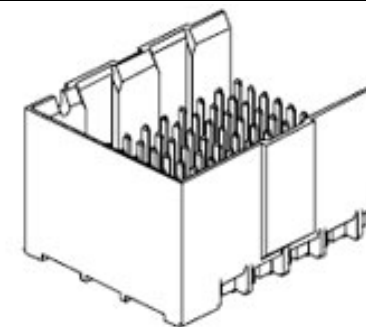
UL E29179

General

Product Family	Backplane Connectors
Series	76165
Application	Conventional, Mezzanine
Application Tooling Documents	TM-622018799
Component Type	PCB Header
Overview	Impact Backplane Connector and Cable Assembly System
Product Name	Impact
UPC	883906226053

Physical

Circuits (Loaded)	144
Circuits (maximum)	144
Color - Resin	Black
Durability (mating cycles max)	200
First Mate / Last Break	No
Flammability	94V-0
Guide to Mating Part	No
Keying to Mating Part	None
Material - Metal	High Performance Alloy (HPA)
Material - Plating Mating	Gold
Material - Plating Termination	Tin
Material - Resin	High Temperature Thermoplastic
Net Weight	5.429/g
Number of Columns	16
Number of Pairs	3
Number of Rows	9
Orientation	Vertical
PC Tail Length	1.40mm
PCB Locator	No
PCB Retention	None
PCB Thickness - Recommended	1.00mm
Packaging Type	Tray
Pitch - Mating Interface	1.90mm
Pitch - Termination Interface	1.90mm
Plating min - Mating	0.762µm
Polarized to PCB	No
Stackable	No
Temperature Range - Operating	-55° to +85°C
Termination Interface: Style	Through Hole - Compliant Pin



Series image - Reference only

EU ELV

Not Relevant

EU RoHS

Compliant

REACH SVHC

Not Contained Per - ED/71/2019 (16 July 2019)

Halogen-Free

Status

Low-Halogen

For more information, please visit [Contact US](#)

China ROHS

ELV

RoHS Phthalates

China RoHS

Green Image

Not Relevant

Not Contained

Search Parts in this Series

[76165 Series](#)

Mates With

[76170 Impact 100 Ohm Daughtercard](#)

Use With

[75234 Backplane Free Standing Guide Pin](#)

Application Tooling | [FAQ](#)

Tooling specifications and manuals are found by selecting the products below. Crimp Height Specifications are then contained in the Application Tooling Specification document.

Global

Description	Product #
Backplane Insertion Tool for Signal Contact	621005800
Backplane Header Removal Tool for GbX U-Series, GbX I-Trac, Impact, or Z-PACK TinMan	621009610

Backplane Module 622018651
Installation, Press-In
Tool

Electrical

Current - Maximum per Contact 0.75A
Data Rate 25.0 Gbps
Impedance 100Ω
Shield Type N/A
Shielded No
Voltage - Maximum 30V AC (RMS)/DC

Solder Process Data

Lead-free Process Capability N/A

Material Info**Reference - Drawing Numbers**

Application Specification AS-76060-990-001, AS-76060-9999-001
Packaging Specification PK-70873-7700-001
Product Specification PS-76060-999-001
Sales Drawing SD-76165-001-001
Symbol/Footprint Data SYM-76165-1615

This document was generated on 09/16/2019

PLEASE CHECK WWW.MOLEX.COM FOR LATEST PART INFORMATION

Mouser Electronics

Authorized Distributor

Click to View Pricing, Inventory, Delivery & Lifecycle Information:

[Molex:](#)

[76165-1615](#)