



FEATURES

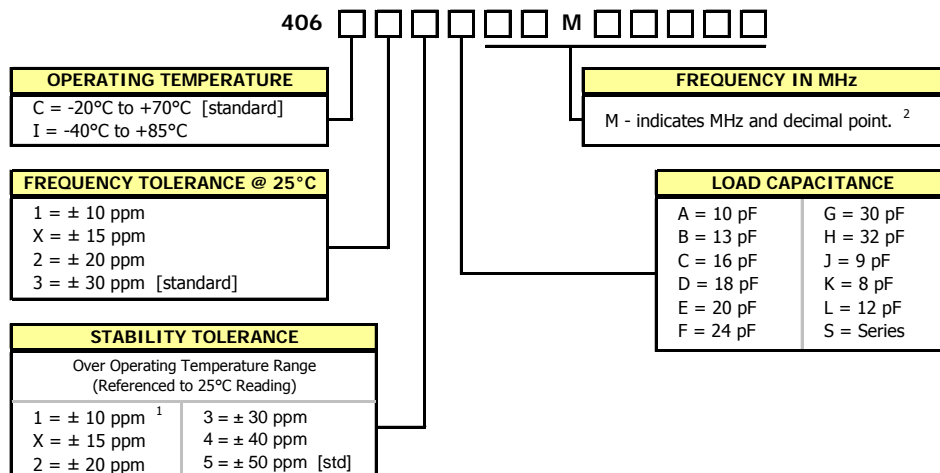
- Standard 6.0mm x 3.5mm Ceramic Surface Mount Package
- Fundamental Crystal Design
- Frequency Range 8 – 50 MHz
- Frequency Tolerance, ± 30 ppm Standard [other tolerances available]
- Frequency Stability, ± 50 ppm Standard [other stabilities available]
- Operating Temperature to -40°C to $+85^{\circ}\text{C}$
- Stable Frequency Over Temperature and Drive Level
- Tape & Reel Packaging Standard, EIA-481
- **RoHS/Green Compliant (6/6)**



APPLICATIONS

The Model 406 is a seam sealed ceramic packaged crystal offering reduced size, ideal for high-density circuit board applications. M406 offers reliable precision and excellent shock performance suitable for wireless communications, broadband access, WLAN/WiMax/WIFI, portable equipment, test and measurement, PCMCIA, computers and modems.

ORDERING INFORMATION



1] Only available with temperature range code "C".

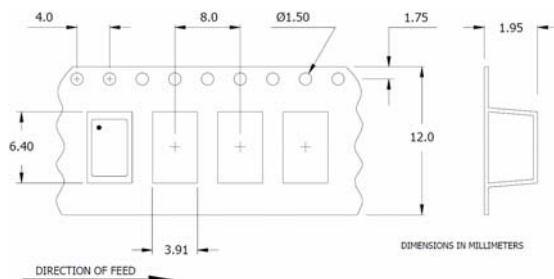
2] Frequency is recorded with two leading digits before the 'M' and 5 significant digits after the 'M' (including zeros).

[Ex. XXMXXXXX (16M38400), XXMXXXXX (14M31818)]

Not all performance combinations and frequencies may be available.
Contact your local CTS Representative or CTS Customer Service for availability.

PACKAGING INFORMATION [reference]

Device quantity is 1k pcs. maximum per 180mm reel.



ELECTRICAL CHARACTERISTICS

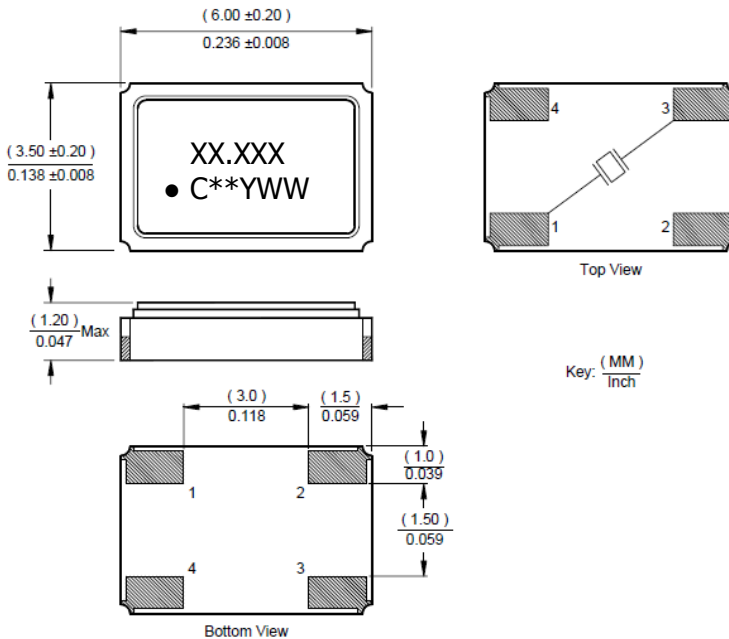
	PARAMETER	VALUE
ELECTRICAL PARAMETERS	Frequency Range	8.0 MHz to 50.0 MHz
	Operating Mode	Fundamental
	Crystal Cut	AT-Cut
	Frequency Tolerance @ 25°C	± 30 ppm standard [± 10 ppm, ± 15 ppm and ± 20 ppm Available]
	Frequency Stability Tolerance [Operating Temperature Range, Referenced to 25°C Reading]	± 50 ppm standard [± 10 ppm, ± 15 ppm, ± 20 ppm, ± 30 ppm and ± 40 ppm Available]
	Operating Temperature Range	-20°C to +70°C -40°C to +85°C
	Equivalent Series Resistance	See ESR Table
	Load Capacitance or Resonance Mode	See Ordering Information
	Shunt Capacitance (C ₀)	4.0 pF typical 7.0 pF maximum
	Drive Level	10 µW typical 100 µW maximum
	Aging @ +25°C	±3 ppm/yr typical ±5 ppm/yr maximum
	Insulation Resistance	500M Ohms @ 100V _{DC} ±15V _{DC}
	Storage Temperature Range	-55°C to +125°C
	Reflow Condition, per JEDEC J-STD-020	+260°C maximum, 10 Seconds maximum

EQUIVALENT SERIES RESISTANCE TABLE

FREQUENCY RANGE	MODE of OSCILLATION	ESR Maximum
8.00 MHz - 9.999 MHz	Fundamental	80 Ohms
10.00 MHz - 15.999 MHz	Fundamental	60 Ohms
16.000 MHz - 50.000 MHz	Fundamental	40 Ohms

MECHANICAL SPECIFICATIONS

PACKAGE DRAWING



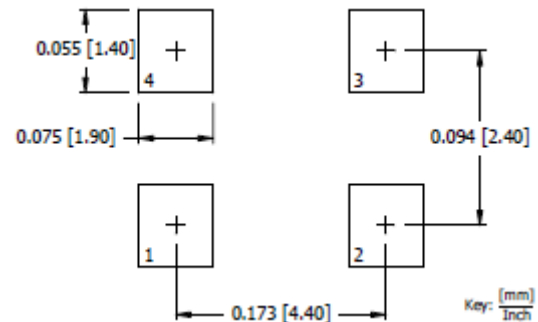
MARKING INFORMATION

1. XX.XXX – Frequency marked with 3 significant digits after the decimal.
2. C – CTS identifier.
3. ** – Manufacturing Site code.
4. YWW – Date Code, Y – Last Digit of Year, WW – Week.

NOTES

1. Complete CTS part number, frequency value and date code information must appear on reel and carton labels.
2. Termination pads (e4); barrier plating is nickel (Ni) with gold (Au) flash plate.
3. Terminations #2, #4 and metal lid are connected internally and may be connected to ground for EMI suppression.
4. MSL = 1.

SUGGESTED SOLDER PAD GEOMETRY



Mouser Electronics

Authorized Distributor

Click to View Pricing, Inventory, Delivery & Lifecycle Information:

CTS:

[406C35B10M00000](#) [406C35B10M24500](#) [406C35B12M28800](#) [406C35B12M68800](#) [406C35B13M00000](#)
[406C35B13M22500](#) [406C35B14M00000](#) [406C35B14M31818](#) [406C35B14M85000](#) [406C35B18M43200](#)
[406C35B19M44000](#) [406C35B20M48000](#) [406C35B22M00000](#) [406C35B24M57600](#) [406C35B27M00000](#)
[406C35B30M00000](#) [406C35B32M76800](#) [406C35B35M32800](#) [406C35B38M88000](#) [406C35B44M54500](#)
[406C35B48M00000](#) [406C35B12M00000](#) [406C35B16M00000](#) [406I35D25M00000](#) [406I35D27M00000](#)
[406I35E10M00000](#) [406I35B19M44000](#) [406I35D32M00000](#) [406I35D24M00000](#) [406C35D30M00000](#)
[406C35D14M31818](#) [406C35D14M74560](#) [406I35D12M00000](#) [406I35D10M00000](#) [406C35D25M00000](#)
[406C35D11M05920](#) [406C35D16M93440](#) [406C35D19M66080](#) [406C35D24M57600](#) [406C35D27M00000](#)
[406C35D32M00000](#) [406C35D32M76800](#) [406C35D40M00000](#) [406C35D48M00000](#) [406C35D50M00000](#)
[406C35D64M00000](#) [406C35E08M00000](#) [406C35E10M00000](#) [406C35E11M05920](#) [406C35E12M00000](#)
[406C35E14M31818](#) [406C35E14M74560](#) [406C35E16M00000](#) [406C35E16M93440](#) [406C35E19M66080](#)
[406C35E20M00000](#) [406C35E24M00000](#) [406C35E24M57600](#) [406C35E25M00000](#) [406C35E27M00000](#)
[406C35E32M00000](#) [406C35E32M76800](#) [406C35E40M00000](#) [406C35E48M00000](#) [406C35E50M00000](#)
[406C35E64M00000](#) [406C35S14M31818](#) [406C35S16M00000](#) [406C35S18M43200](#) [406C35S19M66080](#)
[406C35S20M00000](#) [406C35S24M00000](#) [406I35B10M00000](#) [406I35B10M24500](#) [406I35B12M28800](#)
[406I35B12M68800](#) [406I35B13M00000](#) [406I35B13M25500](#) [406I35B14M00000](#) [406I35B14M31818](#)
[406I35B14M85000](#) [406I35B16M36800](#) [406I35B18M43200](#) [406I35B20M48000](#) [406I35B22M00000](#)
[406I35B24M57600](#) [406I35B27M00000](#) [406I35B30M00000](#) [406I35B32M76800](#) [406I35B35M32800](#)
[406I35B38M88000](#) [406I35B44M54500](#) [406I35B48M00000](#) [406I35D08M00000](#) [406I35D11M05920](#)
[406I35D14M31818](#) [406I35D14M74560](#) [406I35D16M00000](#) [406I35D16M93440](#) [406I35D19M66080](#)