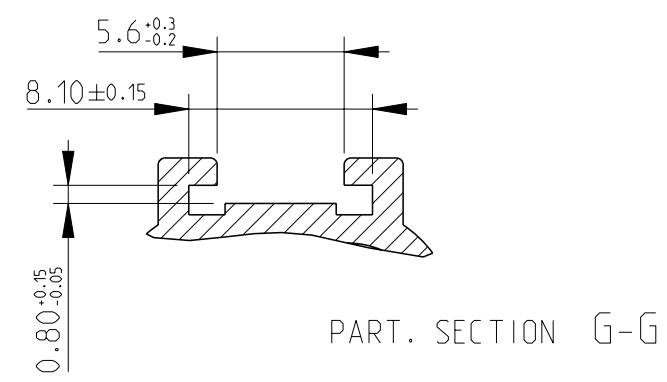
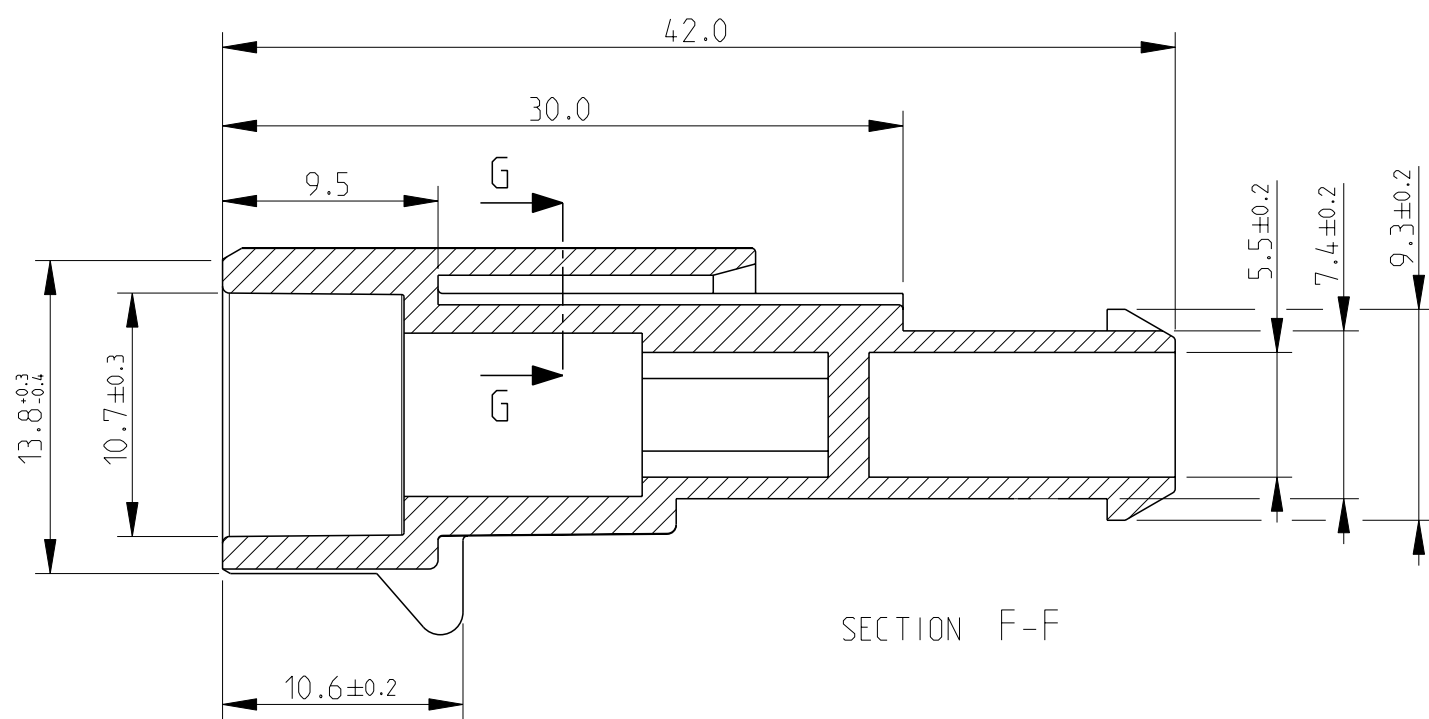
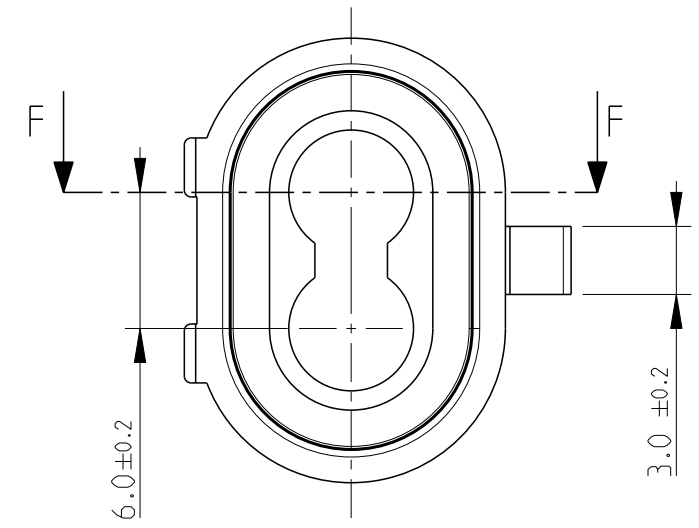
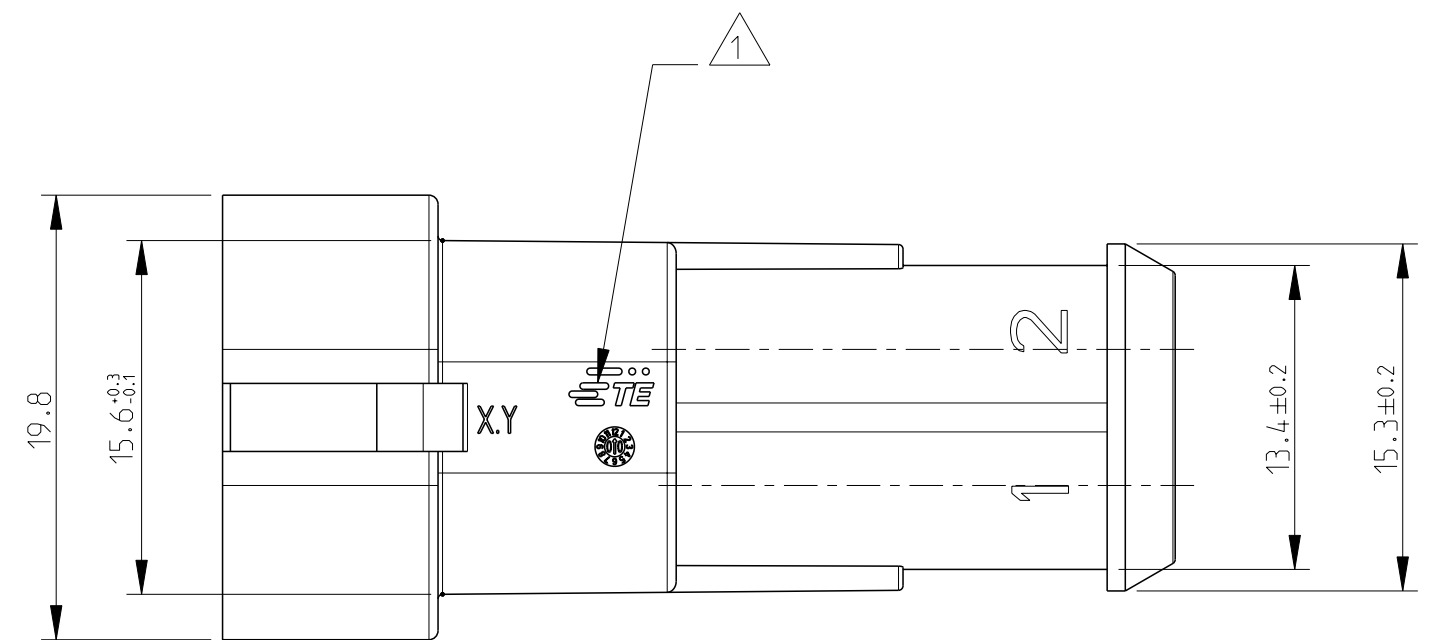


THIS DRAWING IS UNPUBLISHED. RELEASED FOR PUBLICATION 20  
 © COPYRIGHT 20 BY - ALL RIGHTS RESERVED.

REVISIONS					
P	LTR	DESCRIPTION	DATE	DWN	APVD
	A2	REVISED PER ECO-17-009774	06SEP2017	M.G.	M.G.



ORANGE	PA66-GF	A	1745022-1
FINISH/COLOR	MATERIAL	REV	PART NUMBER

TE CONNECTIVITY TRADE MARK, (IN ALTERNATIVE: "AMP" LOGO, OR "Tyco Electronics" LOGO)

THIS DRAWING IS A CONTROLLED DOCUMENT.		DWN M. PALMA 17SEP2004	TE Connectivity	
DIMENSIONS: mm		CHK R. MARTINI 17SEP2004		
TOLERANCES UNLESS OTHERWISE SPECIFIED:		APVD -	NAME AMP SUPERSEAL 1.5 SRS. 2 POSITIONS TAB CONNECTOR WITH CLOSED CAVITIES	
0 PLC ±	1 PLC ±0.3	PRODUCT SPEC -	SIZE A3	CAGE CODE -
2 PLC ±	3 PLC ±	APPLICATION SPEC -	DRAWING NO C-1745022	RESTRICTED TO -
4 PLC ±	ANGLES ±2°	WEIGHT 5.12g	SCALE 3:1	SHEET 1 OF 1
MATERIAL - SEE TABLE	FINISH - SEE TABLE	CUSTOMER DRAWING	REV A2	

# Mouser Electronics

Authorized Distributor

Click to View Pricing, Inventory, Delivery & Lifecycle Information:

[TE Connectivity:](#)

[1745022-1](#)