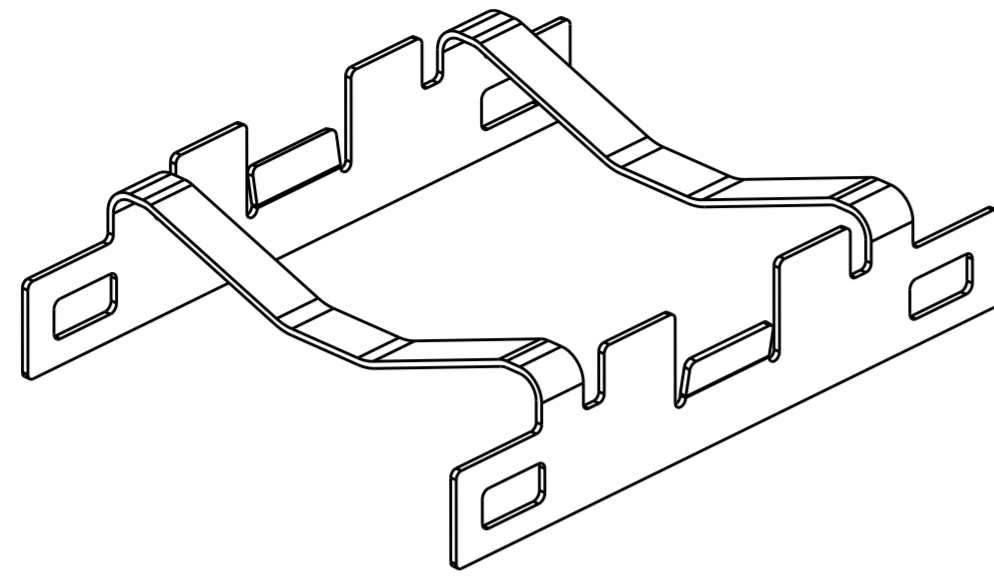
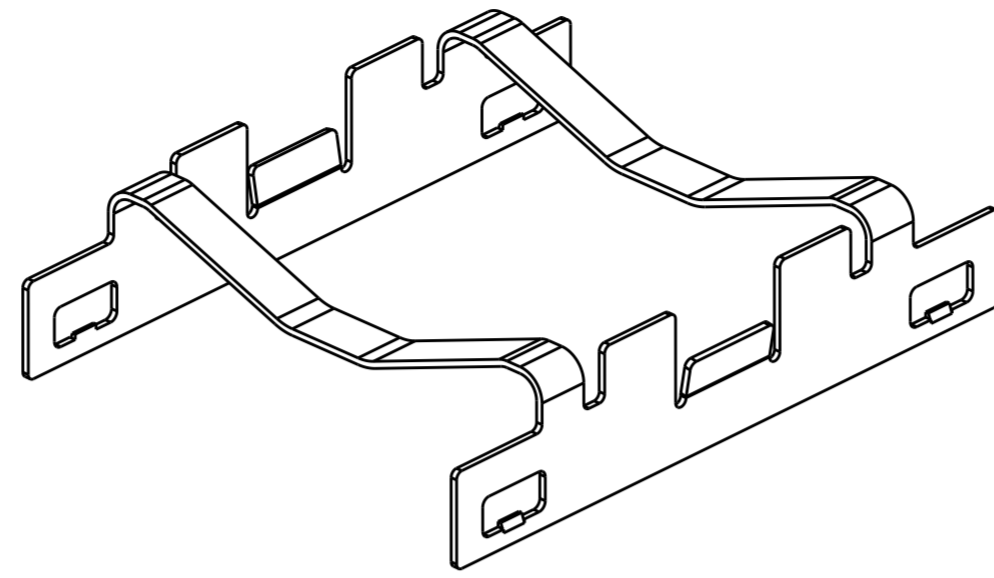


THIS DRAWING IS UNPUBLISHED. RELEASED FOR PUBLICATION 20
 © COPYRIGHT 20 BY - ALL RIGHTS RESERVED.

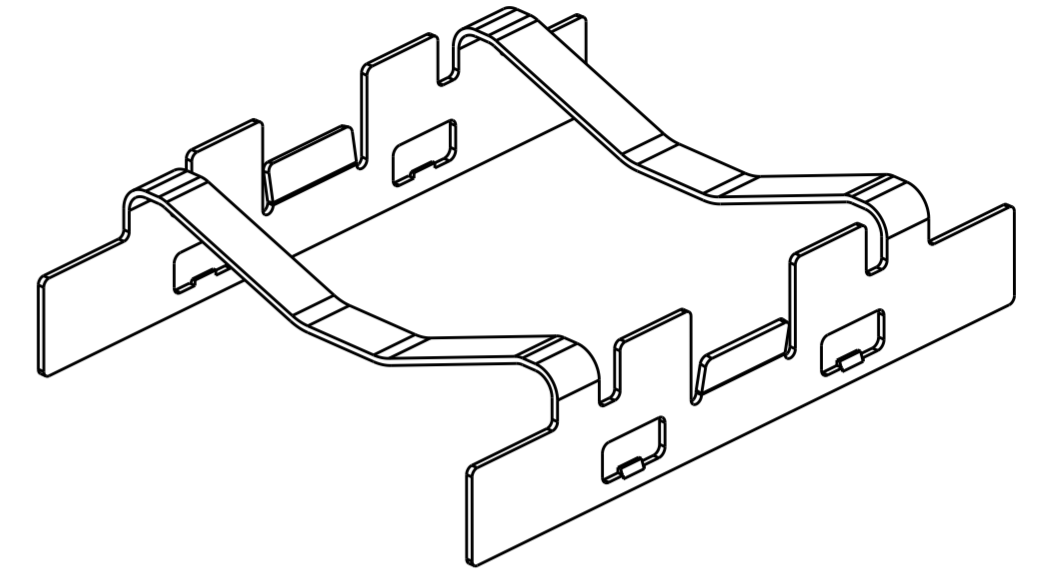
REVISIONS					
P	LTR	DESCRIPTION	DATE	DWN	APVD
B		REVISED PER ECO-14-016404	3NOV2014	JY	-
C		REVISED PER ECO-17-011427	07AUG2017	TX	SH



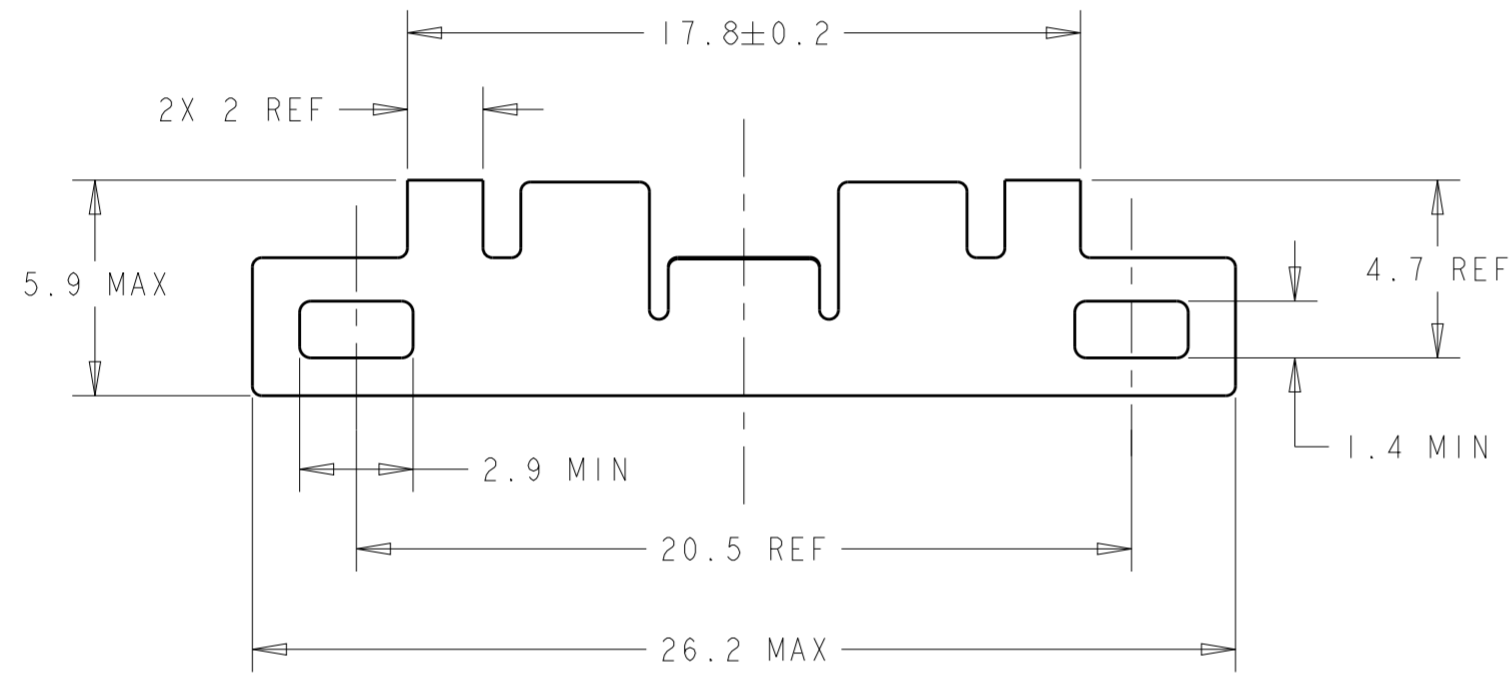
2007304-1
SCALE 4:1



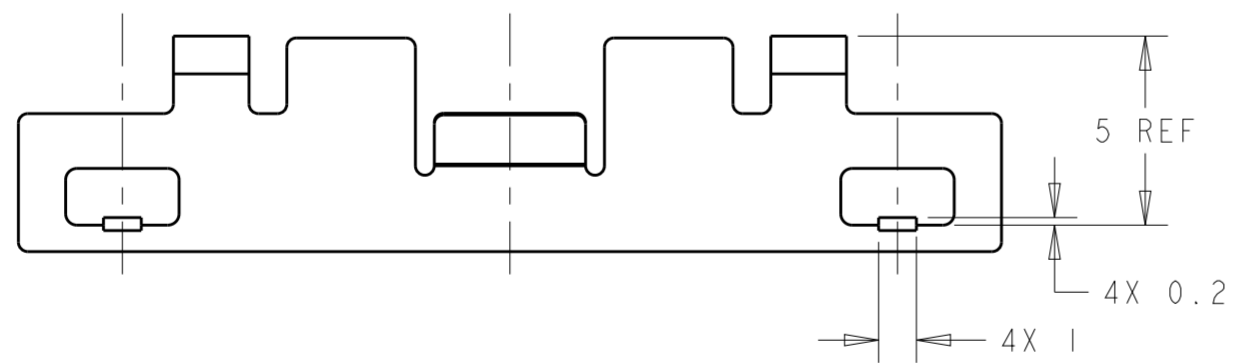
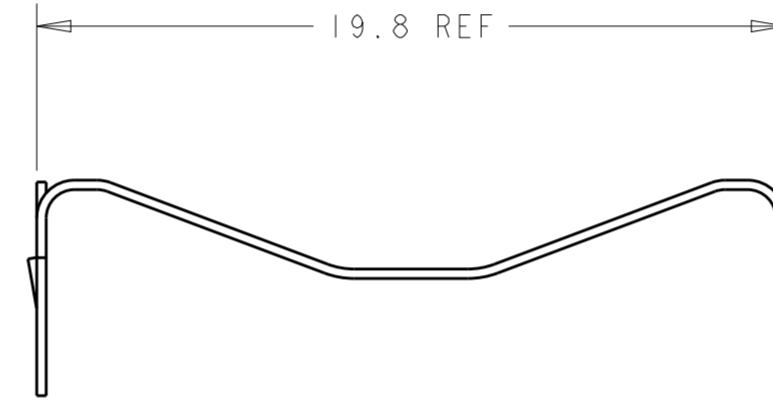
2007304-5
SCALE 4:1



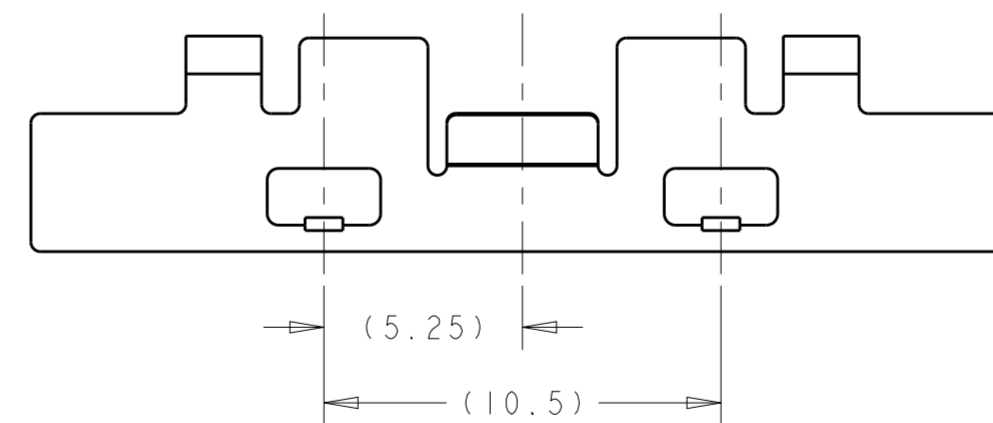
2007304-7
SCALE 4:1



2007304-1 AS SHOWN
SCALE 5:1



2007304-5
UNSPECIFIED SPEC PER 2007304-1
SCALE 5:1



2007304-7
UNSPECIFIED SPEC PER 2007304-5
SCALE 5:1

2007304-7
2007304-5
2007304-1
PART NUMBER

THIS DRAWING IS A CONTROLLED DOCUMENT.		DWN C. VALENTINE 23SEP2008	TE Connectivity		
DIMENSIONS: mm		CHK E. BRIGHT 23SEP2008			
TOLERANCES UNLESS OTHERWISE SPECIFIED:		APVD E. BRIGHT 23SEP2008	NAME QSFP HEAT SINK CLIP		
0 PLC ±	1 PLC ±0.3	PRODUCT SPEC 108-2286	SIZE A200779	CAGE CODE C-2007304	RESTRICTED TO
2 PLC ±0.1	3 PLC ±0.001	APPLICATION SPEC 114-13218	SCALE 3:1	SHEET 1	REV C
4 PLC ±0.0001	ANGLES ±	WEIGHT -	Customer Drawing		
MATERIAL -	FINISH -				

Mouser Electronics

Authorized Distributor

Click to View Pricing, Inventory, Delivery & Lifecycle Information:

[TE Connectivity:](#)

[2007304-1](#)