

4

3

2

1

THIS DRAWING IS UNPUBLISHED.

RELEASED FOR PUBLICATION

-- --

© COPYRIGHT - By -

ALL RIGHTS RESERVED.

LOC
ES 00

REVISIONS

P	LTR	DESCRIPTION	DATE	DWN	APVD
	C1	REVISED PERECR-14-003969	08DEC14	T.Q	W.H

(AS SHOWN : -6)

Top view of the connector assembly. Dimensions include: 1.75, ±0.1, 4.0, ±0.1, PITCH ±0.1, 12.0, ±0.1, 2.0 PITCH, 6.5, 4.3, 2.2, 1.2, "G" ∅1.5^{+0.1}/₋₀, "H", A ±0.1, A/2, B, C ±0.1, D ±0.3, ±0.1, 1.75, "G".

SECT "G"- "G"

9P ONLY
Top view of the 9P only connector assembly. Dimensions include: 6.80, 2.20, 3.90, 1.20, ±0.1, 12.0 PITCH, ±0.1, 2.0 PITCH, 4.0, ∅1.5^{+0.1}/₋₀, 1.75, ±0.1, 2.75, 3.65, 1.0, A ±0.1, A/2, ±0.1, 1.75, ±0.1, 1.0, "G".

SECT "H"- "H"

Fig-1
WINDING THE COVER TAPE AROUND THE OUTER PERIPHERY IN A TURN
PEELING ANGLE, 165-180°
15 HOLES
WITHOUT CHARGE 300mm APPROX
WITH PRODUCT CHARGE
WITHOUT CHARGE 600mm APPROX

NOTES:

1. PEELING RESISTANCE: 0.196N(20gf)-0.686N(70gf)
PEELING SPEED: 300mm/min

TOLERANCE UNLESS OTHERWISE SPECIFIED

10 > *	±0.2
30 > * > 10	±0.25
100 > * > 30	±0.3
ANGLE	±3°

THIS DRAWING IS A CONTROLLED DOCUMENT.

DIMENSIONS:	TOLERANCES UNLESS OTHERWISE SPECIFIED:
MM	
	0 PLC ±
	1 PLC ±
	2 PLC ±
	3 PLC ±
	4 PLC ±
	ANGLES ±
MATERIAL	FINISH

DWN	JACK HOU	17SEP10
CHK	MARTIN LI	17SEP10
APVD	STEVEN YAO	17SEP10
PRODUCT SPEC		
APPLICATION SPEC		
WEIGHT		
CUSTOMER DRAWING		

COLOR	PLATE	D	C	B	A	QTY/REEL	POS	TAPING P/N
BLACK		44.0	40.5	20.25	25.6	9	2-292174-9	
		44.0	40.4	20.2	22.9	8	2-	-8
		32.0	28.4	14.2	20.9	7	2-	-7
		32.0	28.4	14.2	18.9	6	2-	-6
		32.0	28.4	14.2	16.9	5	2-	-5
		32.0	28.4	14.2	14.9	4	2-	-4
		32.0	28.4	14.2	12.9	3	2-	-3
WITH		32.0	28.4	14.2	10.9	700	2	2-292174-2
NATURAL		44.0	40.5	20.25	25.6	9	292174-9	
		44.0	40.4	20.2	22.9	8		-8
		32.0	28.4	14.2	20.9	7		-7
		32.0	28.4	14.2	18.9	6		-6
		32.0	28.4	14.2	16.9	5		-5
		32.0	28.4	14.2	14.9	4		-4
		32.0	28.4	14.2	12.9	3		-3
WITH		32.0	28.4	14.2	10.9	700	2	292174-2

TE Connectivity

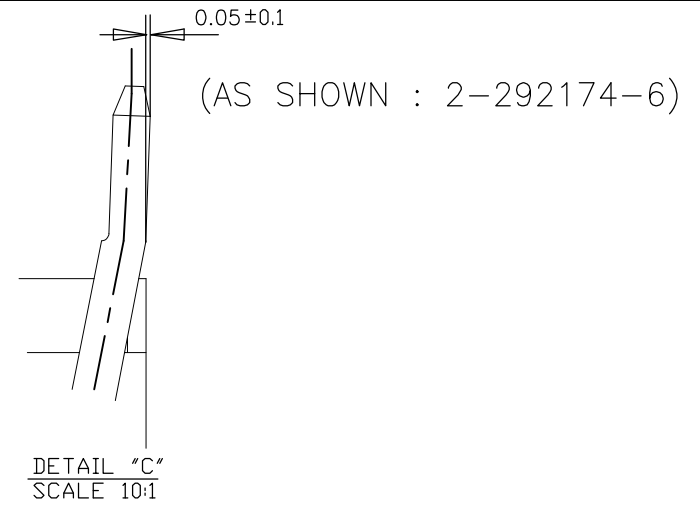
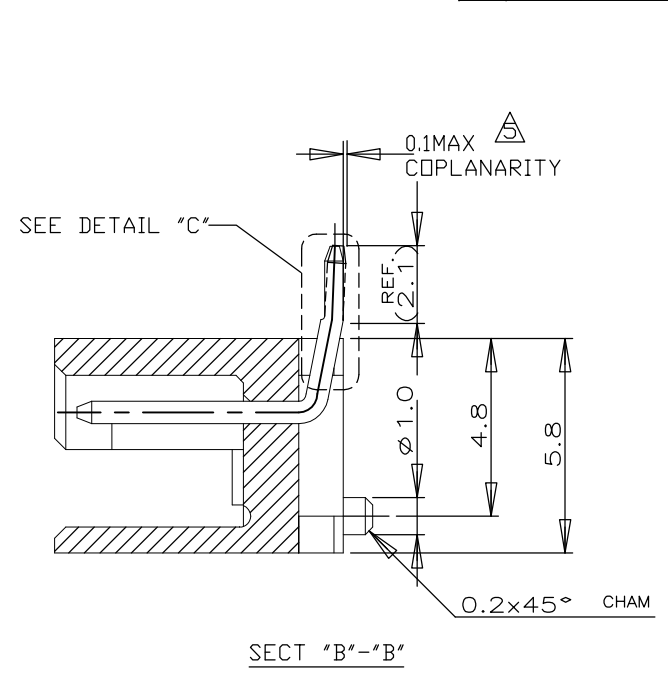
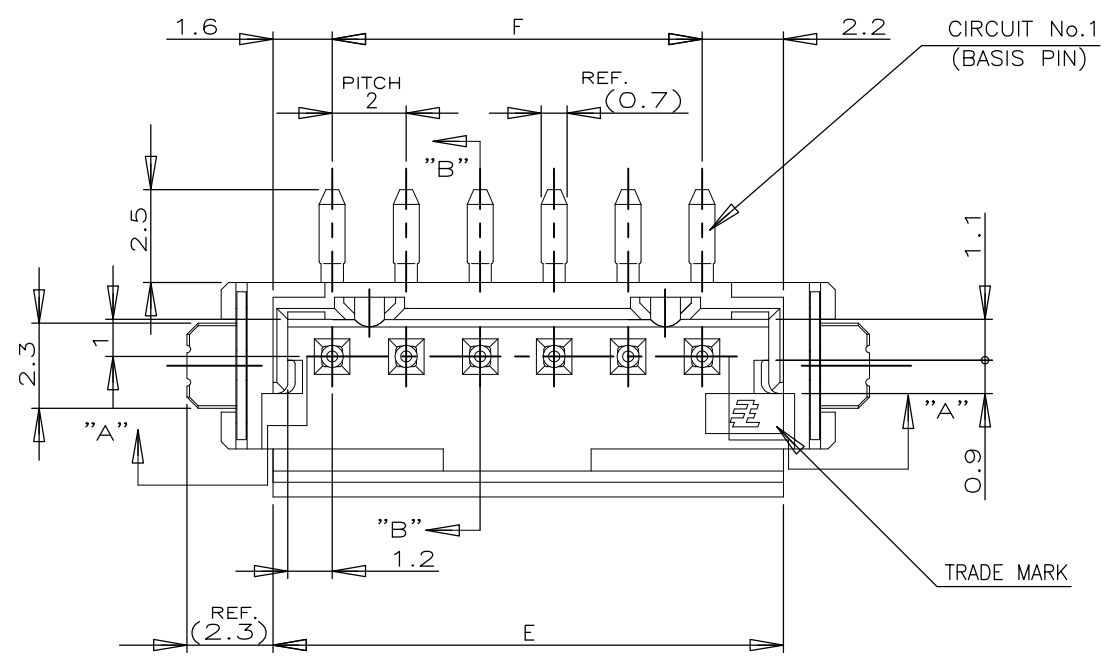
ON TAPING (EMBOSS)
TE CT CONNECTOR POST HEADER ASS'Y
(BOX-V SMT W/BOSS & TAIL)

SIZE	CAGE CODE	DRAWING NO	RESTRICTED TO
A3	00779	C=292174	-
SCALE		SHEET	REV
1/1		1 OF 3	C1

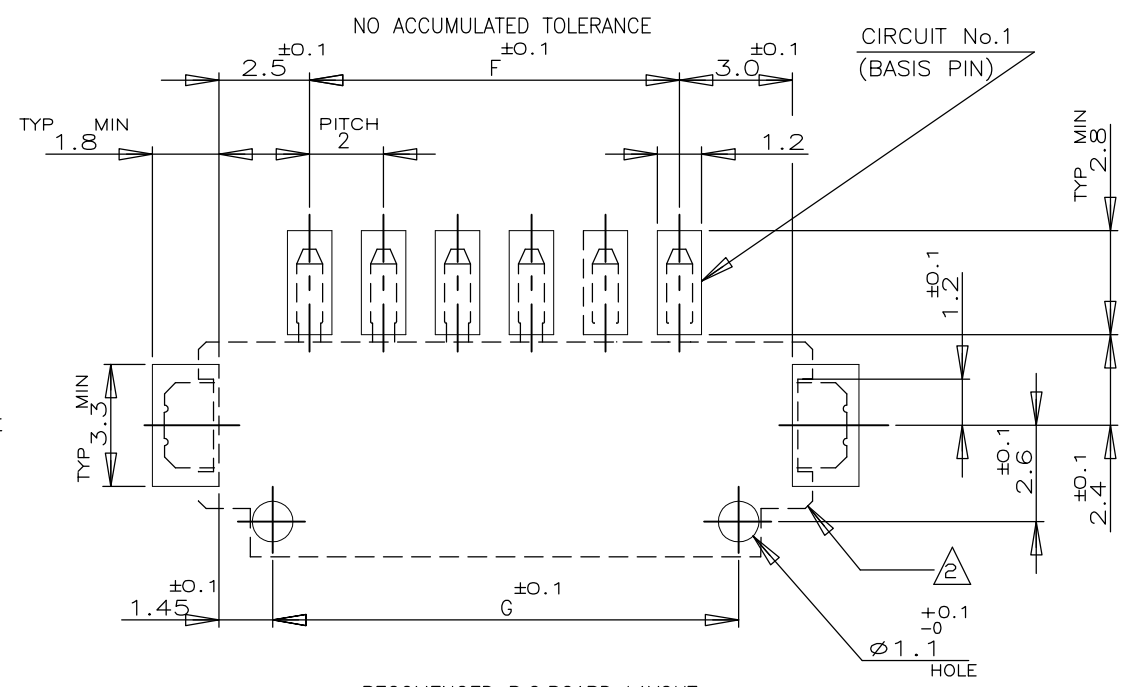
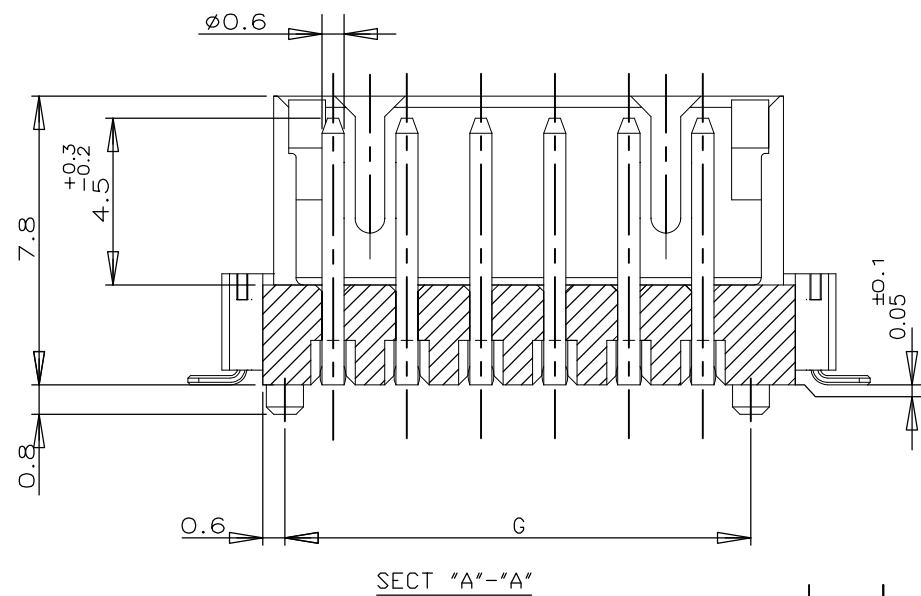
1470-19 (3/11)

THIS DRAWING IS UNPUBLISHED. RELEASED FOR PUBLICATION ALL RIGHTS RESERVED.

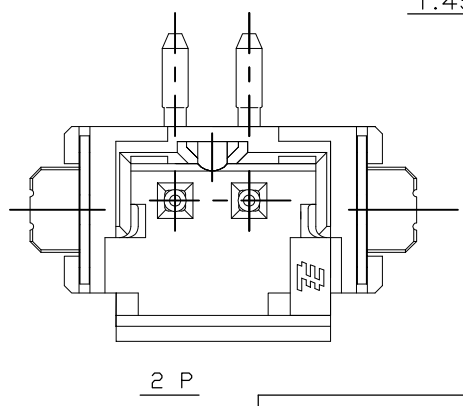
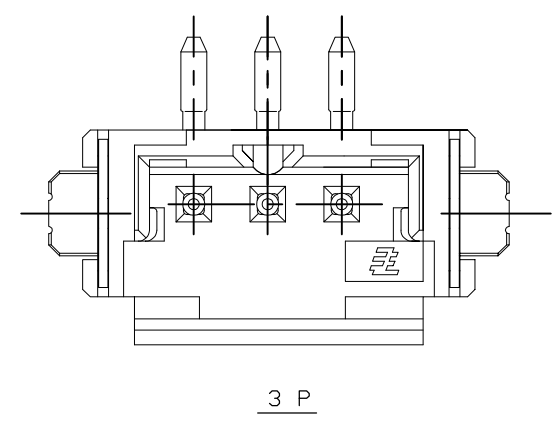
LOC		DIST		REVISIONS					
ES		00		P	LTR	DESCRIPTION	DATE	DWN	APVD
				SEE SHEET 1					



- NOTES;
- MATERIAL:HSG:6T PA(G.F.30%)(UL94V-0)
COLOR:BLACK OR NATURAL
POST:TIN BRASS
TAIL:TIN BRASS
 - △ OCCUPANT AREA ON PC BOARD
 - PRODUCT SPEC :108-60016
 - △ TO BE MEASURED WITH CONNECTOR PLACED ON HORIZONTAL DATUM SURFACE,FLOAT OF SOLDER TINE AND TAIL FROM DATUM SURFACE IS 0.1mm MAX
 - △ 292174-6 SHOWED ON SHEET 3/3.



18.6	16.0	19.8	g	2-292174-9	2921749
16.6	14.0	17.8	8	2- -8	-8
14.6	12.0	15.8	7	2- -7	-7
12.6	10.0	13.8	6	2- -6	-6
10.6	8.0	11.8	5	2- -5	-5
8.6	6.0	9.8	4	2- -4	-4
6.6	4.0	7.8	3	2- -3	-3
4.6	2.0	5.8	2	2-292174-2	292174-2
G	F	E	Pos.	BLACK	NATURAL
P/N					



TOLERANCES UNLESS OTHERWISE SPECIFIED:
 10** : ±0.2
 30**>10 : ±0.25
 100**>30 : ±0.3
 ANGEL : ±3°

THIS DRAWING IS A CONTROLLED DOCUMENT.

DWN	JACK HOU	17SEP10
CHK	MARTIN LI	17SEP10
APVD	STEVEN YAO	17SEP10
PRODUCT SPEC	SEE NOTE	
APPLICATION SPEC	-	
WEIGHT	-	
CUSTOMER DRAWING	SCALE 5:1 SHEET 2 OF 3 REV C1	

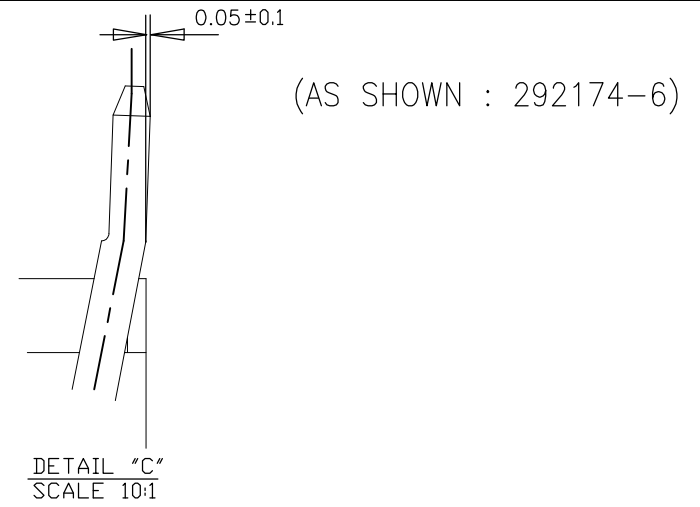
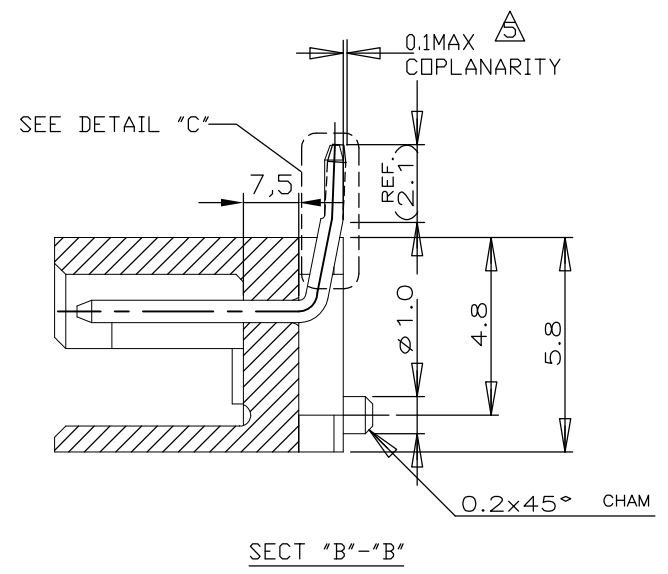
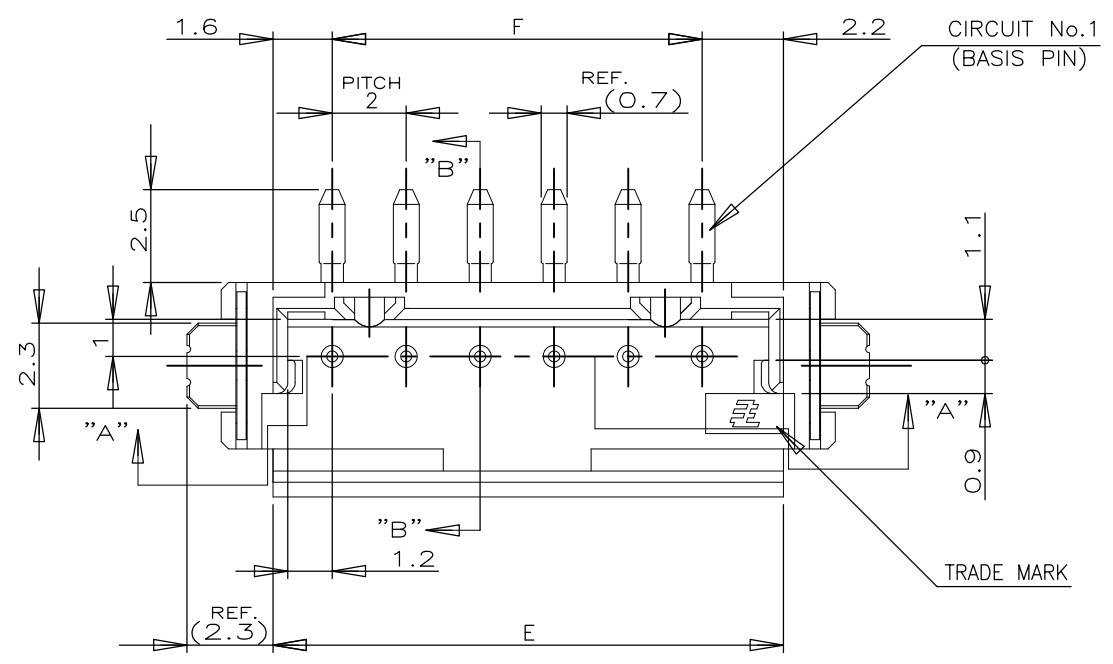
STE TE Connectivity

SMT TYPE POST HDR ASS'Y(V)
WITH BOSS & WITH TAIL TYPE
TE CT CONN. 2 mm PITCH

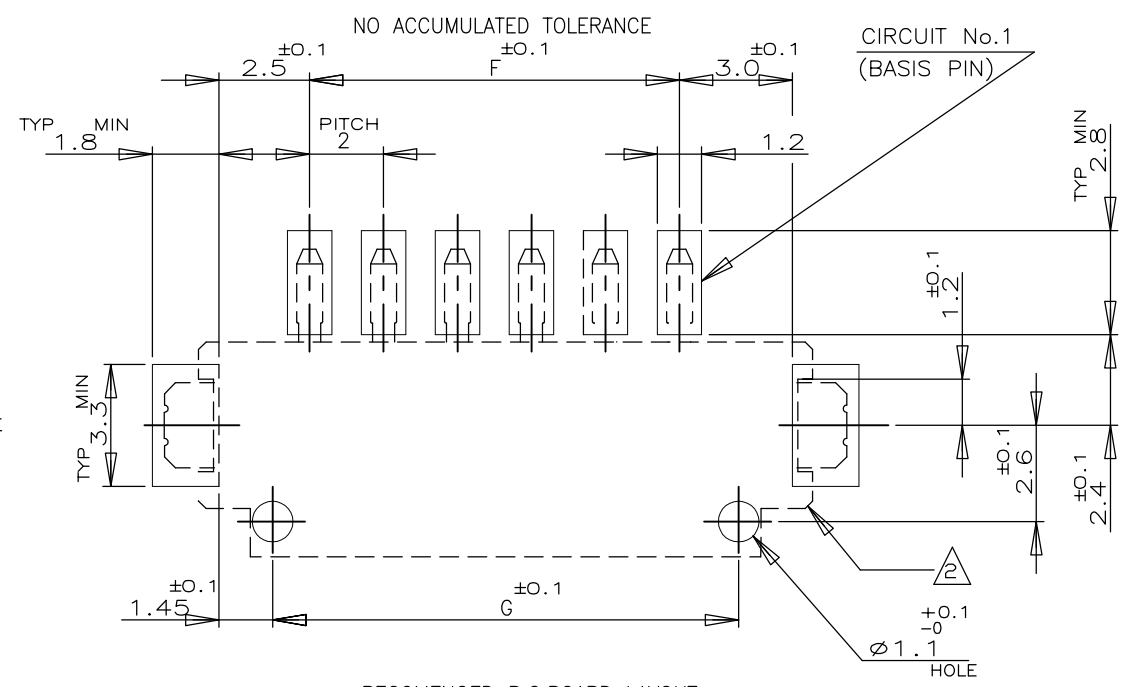
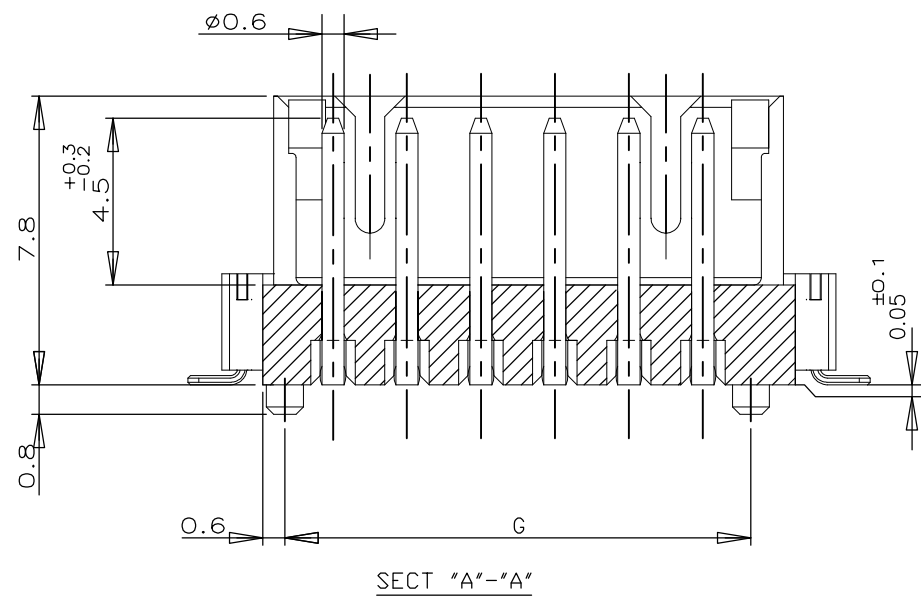
SIZE: A3 CAGE CODE: 00779 DRAWING NO: C-292174 RESTRICTED TO: -

THIS DRAWING IS UNPUBLISHED. RELEASED FOR PUBLICATION
 © COPYRIGHT - By - ALL RIGHTS RESERVED.

LOC	DIST	REVISIONS			
P	LTR	DESCRIPTION	DATE	DWN	APVD
ES	00	SEE SHEET 1	-	-	-



NOTES;
 2. MATERIAL:HSG:6T PA(G.F.30%)(UL94V-0)
 COLOR:BLACK OR NATURAL
 POST:TIN BRASS
 TAIL:TIN BRASS
 3. OCCUPANT AREA ON PC BOARD
 4. PRODUCT SPEC :108-60016
 5. TO BE MEASURED WITH CONNECTOR PLACED ON HORIZONTAL DATUM SURFACE,FLOAT OF SOLDER TINE AND TAIL FROM DATUM SURFACE IS 0.1mm MAX



RECOMENOD P.C.BOARD LAYOUT
 (P.C.B THK:0.8mm MIN)

12.6	10.0	13.8	6	292174-6
G	F	E	Pos.	NATURAL P/N

TOLERANCES UNLESS OTHERWISE SPECIFIED:

10**	: ±0.2
30**>10	: ±0.25
100**>30	: ±0.3
ANGEL	: ±3°

THIS DRAWING IS A CONTROLLED DOCUMENT.		DWN JACK HOU 17SEP10		TE Connectivity													
DIMENSIONS: MM		CHK MARTIN LI 17SEP10															
TOLERANCES UNLESS OTHERWISE SPECIFIED:		APVD STEVEN YAO 17SEP10		NAME													
<table border="1"> <tr><td>0 PLC</td><td>± -</td></tr> <tr><td>1 PLC</td><td>± -</td></tr> <tr><td>2 PLC</td><td>± -</td></tr> <tr><td>3 PLC</td><td>± -</td></tr> <tr><td>4 PLC</td><td>± -</td></tr> <tr><td>ANGLES</td><td>± -</td></tr> </table>		0 PLC	± -	1 PLC	± -	2 PLC	± -	3 PLC	± -	4 PLC	± -	ANGLES	± -	PRODUCT SPEC		SMT TYPE POST HDR ASS'Y(V) WITH BOSS &WITH TAIL TYPE TE CT CONN. 2 mm PITCH	
0 PLC	± -																
1 PLC	± -																
2 PLC	± -																
3 PLC	± -																
4 PLC	± -																
ANGLES	± -																
MATERIAL SEE NOTE		FINISH SEE NOTE															
SEE NOTE		SEE NOTE		APPLICATION SPEC													
SEE NOTE		SEE NOTE		RESTRICTED TO													
SEE NOTE		SEE NOTE		SIZE CAGE CODE DRAWING NO													
SEE NOTE		SEE NOTE		A3 00779 C-292174													
SEE NOTE		SEE NOTE		SCALE 5:1 SHEET 3 of 3 REV C1													
SEE NOTE		SEE NOTE		CUSTOMER DRAWING													

Mouser Electronics

Authorized Distributor

Click to View Pricing, Inventory, Delivery & Lifecycle Information:

[TE Connectivity:](#)

[292174-5](#)