

SAFETY ORGANIZATION(S):

THIS FILTER HAS BEEN FORMALLY RECOGNIZED, CERTIFIED OR APPROVED BY THE LISTED AGENCY. THEREFORE, ALL TEST/REQUIREMENTS SPECIFIED IN THE LATEST REVISION OF THE FOLLOWING AGENCY STANDARDS HAVE BEEN MET:

- UL 1283
- UL RECOGNIZED
- CSA 22.2, NO.0,0.4,8
- CSA CERTIFIED
- VDE 565-3
- VDE APPROVED

OPERATING SPECIFICATIONS:

- LINE VOLTAGE/CURRENT: 3 AMP., 120/250 VAC
- LINE FREQUENCY: 3 AMP./40°C, 250 VAC 50-60Hz 40°C
- MAX. CASE RISE  $\theta$  RATED CURRENT: .5 mA at 120V 60 Hz
- MAX. LEAKAGE CURRENT, EACH LINE TO GROUND: 1.0 mA at 250V 50 Hz
- OPERATING AMBIENT TEMP. RANGE: -10°C TO +40°C  $\theta$  RATED CURRENT,  $I_r$
- IN AN AMBIENT,  $T_a$ , HIGHER THAN 40°C, THE MAXIMUM OPERATING CURRENT,  $I_o$ , IS AS FOLLOWS:

$$I_o = I_r \sqrt{\frac{85-T_a}{45}}$$

RELIABILITY SPECIFICATIONS:

- STORAGE TEMPERATURE: -40°C TO +85°C
- HUMIDITY: 21 DAYS  $\theta$  40°C 95% RH
- CURRENT OVERLOAD TEST: 6 TIMES RATED CURRENT FOR 8 SECONDS

TEST SPECIFICATIONS:

- INDUCTANCE: 7.06 mH NOMINAL
- CAPACITANCE: (MEASURED  $\theta$  1 KHz, 0.25 VAC MAX., 25°C  $\pm$ 1°C)
  - LINE TO GROUND: .011 $\mu$ F  $\pm$ 20%
  - LINE TO LINE: .54 $\mu$ F  $\pm$ 20%
- DISCHARGE RESISTOR: 330 K $\Omega$
- LINE/GROUND AND LINE/LINE INSULATION RESISTANCE: 6000 M $\Omega$  (MIN) AT 100 VDC 20°C AND 50% RH

RECOMMENDED RECEIVING INSPECTION HIPOUT:

- LINE TO GROUND: 2250 VDC FOR 1 MINUTE
- LINE TO LINE: 1450 VDC FOR 1 MINUTE

FILTER APPROVAL:

THE BEST WAY TO SELECT AND QUALIFY A FILTER IS FOR YOUR ENGINEERING TO TEST THE UNIT IN YOUR EQUIPMENT.

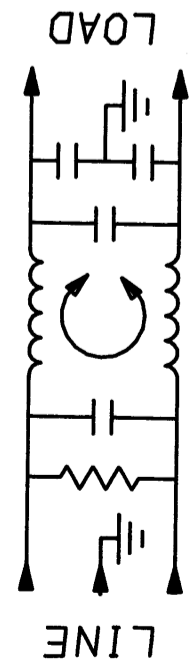
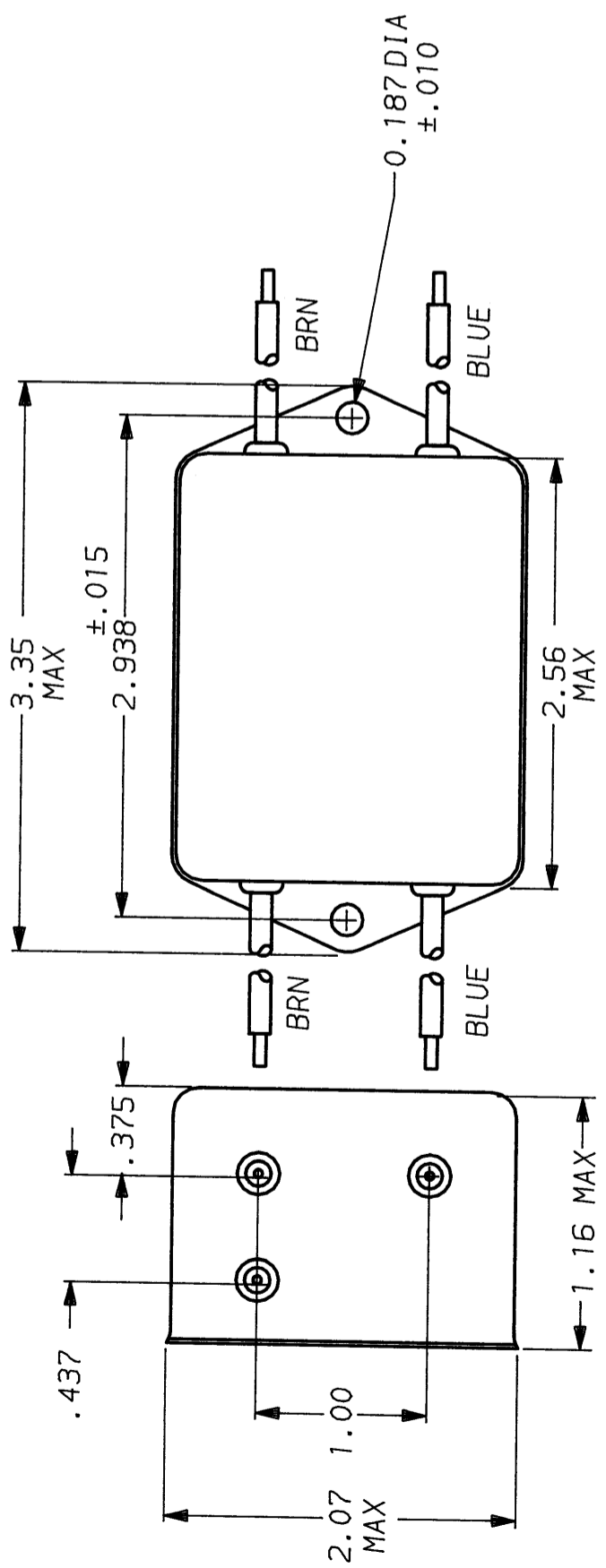
50 $\Omega$ - 50 $\Omega$ (MINIMUM) INSERTION LOSS		30	20	10	5	1	.5	.15	.1	.08	.05	.02
FREQUENCY MHz	COMMON dB	45	45	45	45	45	50	33	28	25	20	12
DIFF. dB		45	45	45	45	45	59	25	10	3	1	1

This document is proprietary to CORCOM INC. and is not to be reproduced nor used for manufacturing purposes except on CORCOM's order or prior written consent.

TOLERANCE EXCEPT AS NOTED  
 DECIMAL: .XXX .XX .X ANGLES  $\pm$  1°  
 ENGLISH:  $\pm$ .025  
 METRIC:  $\pm$  —

MATERIAL: AS SUPPLIED

FINISH: AS SUPPLIED



**CORCOM**  
 LIBERTYVILLE, IL 60048

**POWER LINE FILTER**

SCALE: NTS DATE: 8-7-90 DRG. NO.: 3VSK3.05  
 DRW. BY: CFW ORIGINATOR: CFW REV.

# Mouser Electronics

Authorized Distributor

Click to View Pricing, Inventory, Delivery & Lifecycle Information:

[TE Connectivity:](#)

[3VSK3](#)