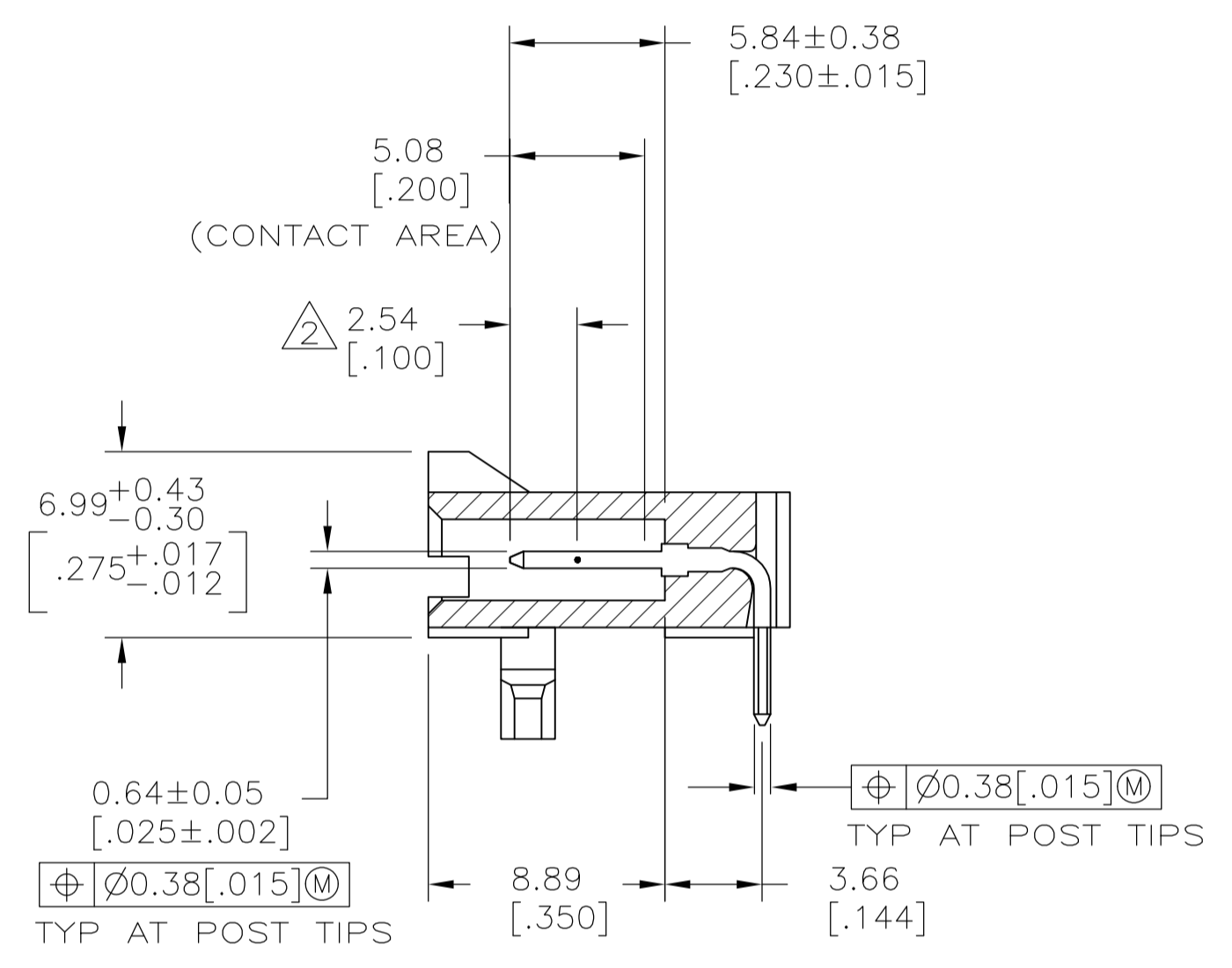
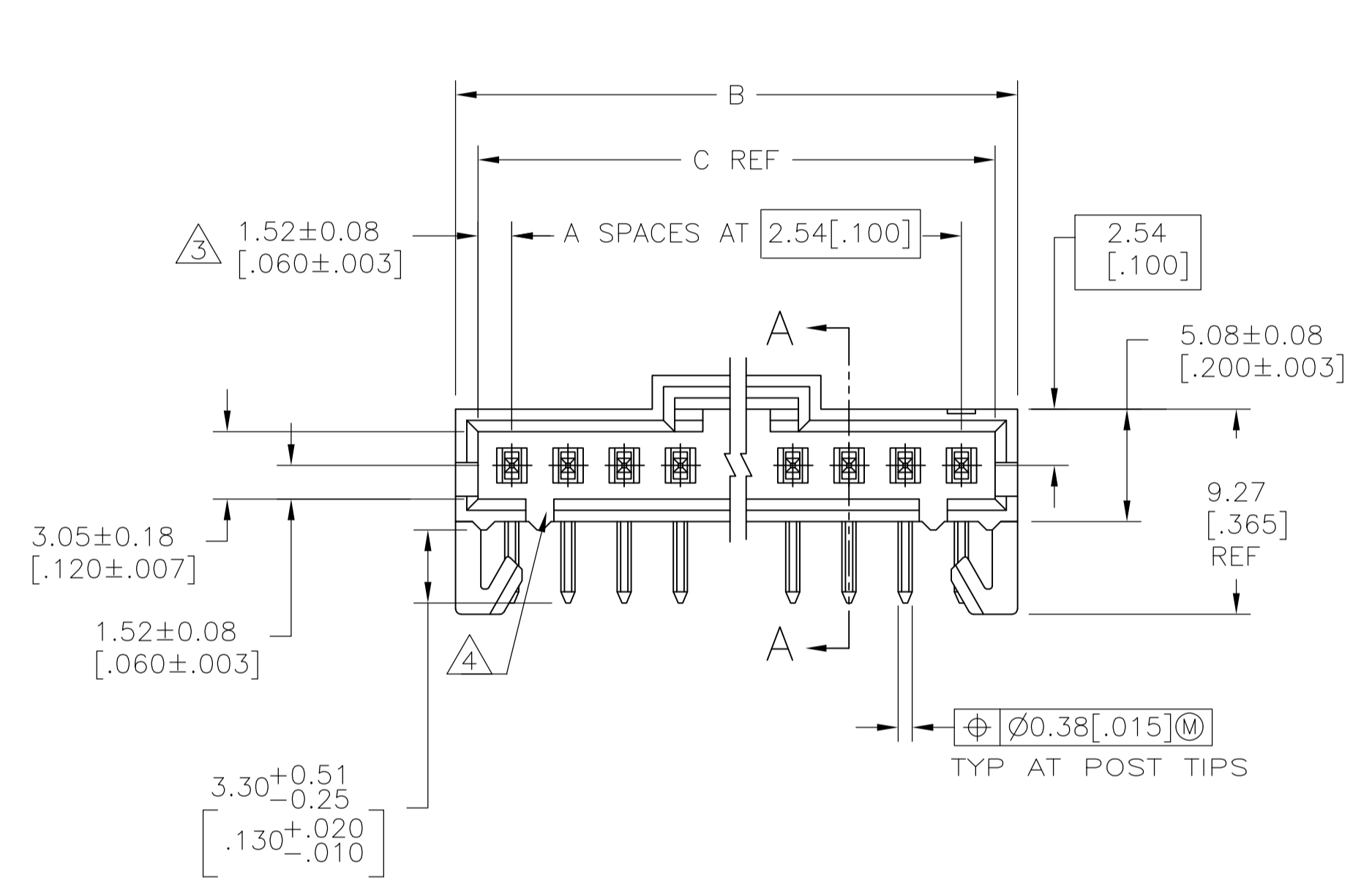
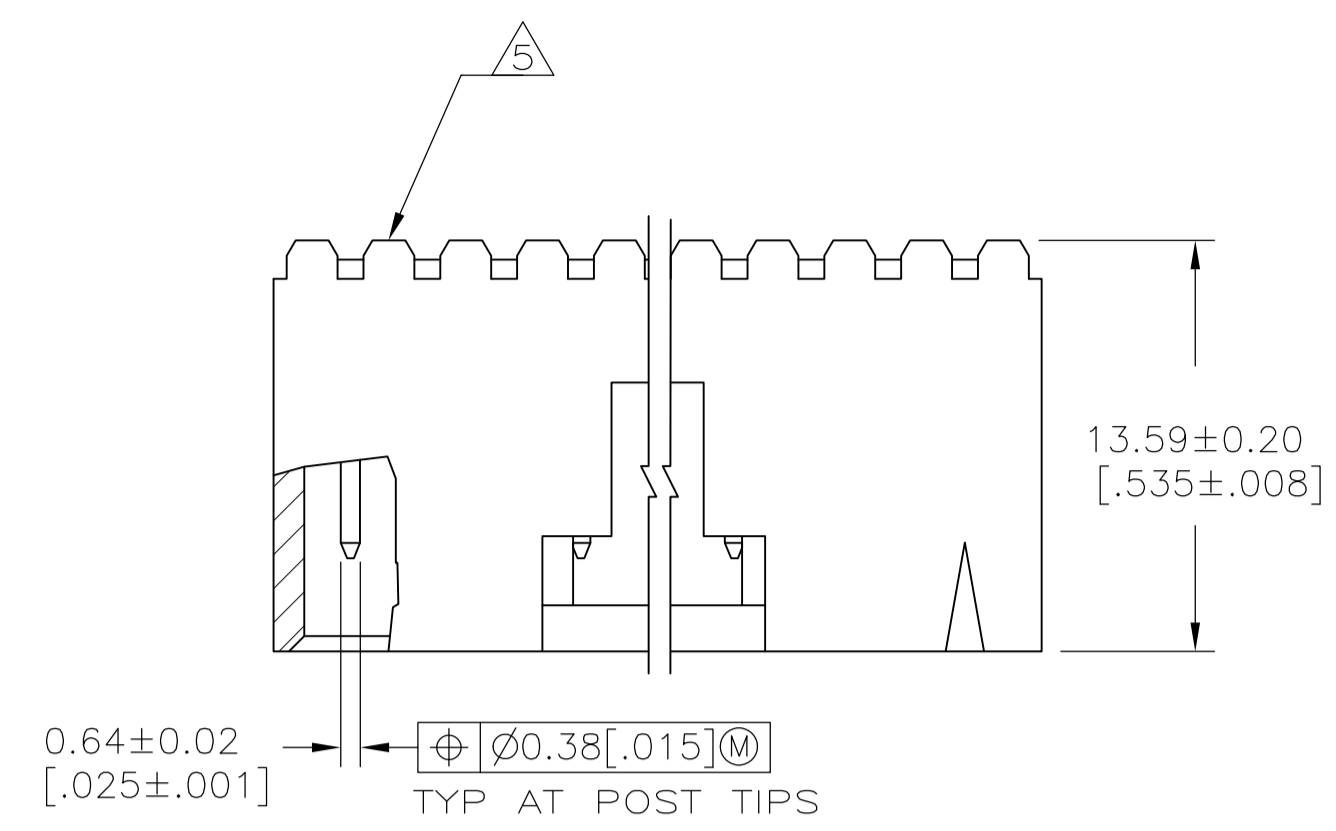
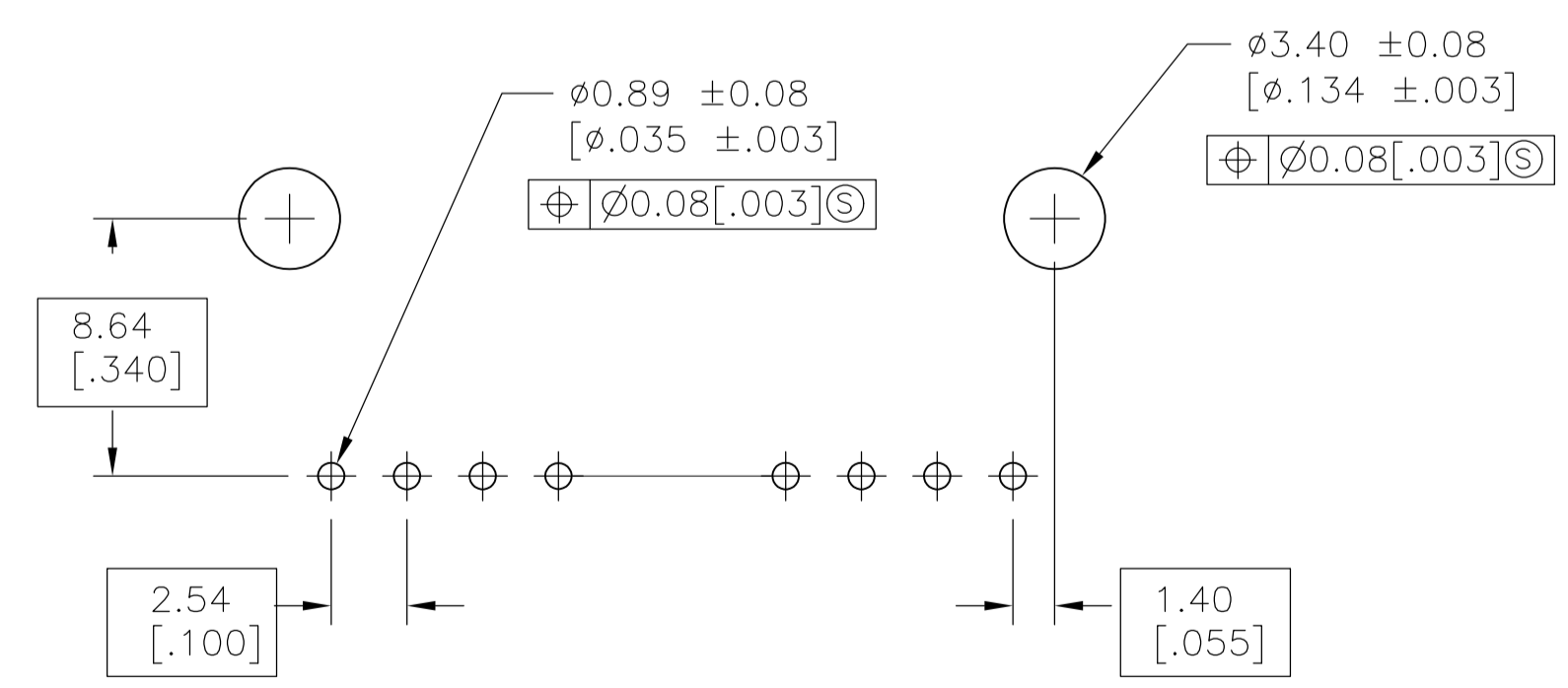


REVISIONS					
P	LTR	DESCRIPTION	DATE	DMN	APVD
AC3	REVISED PER	ECO-11-004587	11MAR11	RK	HMR
AD	REVISED PER	ECO-17-002583	08APR2017	RS	MM



SECTION A-A



RECOMMENDED HOLE LAYOUT

THIS DRAWING IS A CONTROLLED DOCUMENT.		DIN R BROWN 09FEB01	 TE Connectivity
DIMENSIONS: mm		CHK K WRIGHT 09FEB01	
TOLERANCES UNLESS OTHERWISE SPECIFIED:		APVD K WRIGHT 09FEB01	NAME
0. PLC ± -			HDR ASSY, RTANG, SINGLE ROW
1. PLC ± -			2.54[.100] CL, 0.64[.025] SQ POST,
2. PLC ± 0.13[.005]			108-25034
3. PLC ± -			APPLICATION SPEC
4. PLC ± -			114-25026
ANGLES ± -			SIZE CAGE CODE DRAWING NO
MATERIAL	FINISH SEE TABLE	WEIGHT	A1 00779 C=103672
		CUSTOMER DRAWING	SCALE 4:1 SHEET 1 OF 2 REV AD

REVISIONS					
P	LTR	DESCRIPTION	DATE	DMN	APVD
		SEE SHEET 1	-	-	-

- 1 .000100 BRIGHT TIN-LEAD OVER .000050 NICKEL.
- 2 POINT OF MEASUREMENT FOR PLATING THICKNESS.
- 3 THE NOTED DIMENSIONS APPLY AT THE INTERSECTION OF THE POST AND THE HOUSING.
- 4 ON ASSEMBLIES WITH FOUR OR MORE POSITIONS, TWO POLARIZATION SLOTS.
ON ASSEMBLIES WITH TWO OR THREE POSITIONS, ONE POLARIZATION SLOT.
- 5 AMP TRADEMARK MOLDED ON THIS SURFACE.
- 6. FOR USE WITH 1.57±0.20[.062±.008] PRINTED CIRCUIT BOARD.
- 7 MATERIAL: HOUSING- FLAME RETARDANT LCP, COLOR-BLACK.
POSTS- BRASS.
- 8 .000100 BRIGHT TIN OVER .000050 NICKEL.
- 9 PRELIMINARY PART - NOT RELEASED FOR PRODUCTION.
- 10 .000100 MATTE TIN OVER .000050 NICKEL.
- 11 HIGH TEMPERATURE CONFIGURATION
- 12 OBSOLETE PARTS: OBSOLETE CIS STREAMLINING PER D.RENAUD/D.SINISI

		64.01 [2.520]	65.91 [2.595]	24	25	12	7-103672-4
		61.47 [2.420]	63.37 [2.495]	23	24	12	7-103672-3
		58.93 [2.320]	60.83 [2.395]	22	23	12	7-103672-2
		56.39 [2.220]	58.29 [2.295]	21	22	12	7-103672-1
		53.85 [2.120]	55.75 [2.195]	20	21	12	7-103672-0
		51.31 [2.020]	53.21 [2.095]	19	20		6-103672-9
		48.77 [1.920]	50.67 [1.995]	18	19	12	6-103672-8
		46.23 [1.820]	48.13 [1.895]	17	18	12	6-103672-7
		43.69 [1.720]	45.59 [1.795]	16	17	12	6-103672-6
		41.15 [1.620]	43.05 [1.695]	15	16		6-103672-5
		38.61 [1.520]	40.51 [1.595]	14	15	12	6-103672-4
		36.07 [1.420]	37.97 [1.495]	13	14	12	6-103672-3
		33.53 [1.320]	35.43 [1.395]	12	13	12	6-103672-2
		30.99 [1.220]	32.89 [1.295]	11	12		6-103672-1
		28.45 [1.120]	30.35 [1.195]	10	11	12	6-103672-0
		25.91 [1.020]	27.81 [1.095]	9	10		5-103672-9
		23.37 [.920]	25.27 [0.995]	8	9	12	5-103672-8
		20.83 [.820]	22.73 [.895]	7	8		5-103672-7
		18.29 [.720]	20.19 [.795]	6	7		5-103672-6
		15.75 [.620]	17.65 [.695]	5	6		5-103672-5
		13.21 [.520]	15.11 [.595]	4	5		5-103672-4
		10.67 [.420]	12.57 [.495]	3	4		5-103672-3
		8.13 [.320]	10.03 [.395]	2	3		5-103672-2
		5.59 [.220]	7.49 [.295]	1	2		5-103672-1
REMARKS	PLATING	C	B	A	NO. OF POSN	PART NO.	

		25.91 [1.020]	27.81 [1.095]	9	10		3-103672-0
		15.75 [.620]	17.65 [.695]	5	6		2-103672-9
		5.59 [.220]	7.49 [.295]	1	2		2-103672-8
		13.21 [.520]	15.11 [.595]	4	5		2-103672-7
		10.67 [.420]	12.57 [.495]	3	4		2-103672-6
		8.13 [.320]	10.03 [.395]	2	3		2-103672-5
		64.01 [2.520]	65.91 [2.595]	24	25	12	2-103672-4
		61.47 [2.420]	63.37 [2.495]	23	24	12	2-103672-3
		58.93 [2.320]	60.83 [2.395]	22	23	12	2-103672-2
		56.39 [2.220]	58.29 [2.295]	21	22	12	2-103672-1
		53.85 [2.120]	55.75 [2.195]	20	21	12	2-103672-0
		51.31 [2.020]	53.21 [2.095]	19	20	12	1-103672-9
		48.77 [1.920]	50.67 [1.995]	18	19	12	1-103672-8
		46.23 [1.820]	48.13 [1.895]	17	18	12	1-103672-7
		43.69 [1.720]	45.59 [1.795]	16	17	12	1-103672-6
		41.15 [1.620]	43.05 [1.695]	15	16		1-103672-5
		38.61 [1.520]	40.51 [1.595]	14	15		1-103672-4
		36.07 [1.420]	37.97 [1.495]	13	14	12	1-103672-3
		33.53 [1.320]	35.43 [1.395]	12	13	12	1-103672-2
		30.99 [1.220]	32.89 [1.295]	11	12		1-103672-1
		28.45 [1.120]	30.35 [1.195]	10	11		1-103672-0
		25.91 [1.020]	27.81 [1.095]	9	10		103672-9
		23.37 [.920]	25.27 [0.995]	8	9		103672-8
		20.83 [.820]	22.73 [.895]	7	8		103672-7
		18.29 [.720]	20.19 [.795]	6	7		103672-6
		15.75 [.620]	17.65 [.695]	5	6		103672-5
		13.21 [.520]	15.11 [.595]	4	5		103672-4
		10.67 [.420]	12.57 [.495]	3	4		103672-3
		8.13 [.320]	10.03 [.395]	2	3		103672-2
		5.59 [.220]	7.49 [.295]	1	2		103672-1
REMARKS	PLATING	C	B	A	NO. OF POSN	PART NO.	

THIS DRAWING IS A CONTROLLED DOCUMENT.

DIMENSIONS:	TOLERANCES UNLESS OTHERWISE SPECIFIED:	DIN R BROWN 09FEB01	APVD K WRIGHT 09FEB01	NAME
mm	0 PLC ± -	CHK K WRIGHT 09FEB01	APVD K WRIGHT 09FEB01	HDR ASSY, RTANG, SINGLE ROW
	1 PLC ± -			2.54[.100] CL, 0.64[.025] SQ POST.
	2 PLC ± 0.13[.005]			WITH PLZN & HOLD DOWNS, AMPMODU MTE
	3 PLC ± -			PRODUCT SPEC
	4 PLC ± -			108-25034
	ANGLES ± -			APPLICATION SPEC
MATERIAL	FINISH SEE TABLE	SIZE 114-25026	SCALE CODE DRAWING NO	RESTRICTED TO
		WEIGHT A1	00779	103672
		CUSTOMER DRAWING	SCALE 4:1	SHEET 2 OF 2

STE TE Connectivity

Mouser Electronics

Authorized Distributor

Click to View Pricing, Inventory, Delivery & Lifecycle Information:

[TE Connectivity:](#)

[103672-2](#)