

PV1 SERIES ANTI-VANDAL SWITCH

ANTI-VANDAL SWITCHES
DETECTOR SWITCHES
DIP SWITCHES
KEYLOCK SWITCHES
NAVIGATION SWITCHES
PUSHBUTTON SWITCHES
ROCKER SWITCHES
ROTARY SWITCHES
SLIDE SWITCHES
SNAP ACTION SWITCHES
TACTILE SWITCHES
TOGGLE SWITCHES
CAP OPTIONS



APPLICATIONS / MARKETS



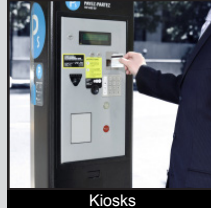
Audio / Visual



Security Devices



Industrial Controls



Kiosks



Electrical Housewares



Medical Equipment

RoHS

SPECIFICATIONS

Electrical Rating: 2A, 36VDC
Mechanical Life: 1,000,000 Cycles
Electrical Life: 200,000 Cycles
Contact Resistance: 50mΩ Max.
Insulation Resistance: 1000 MΩ Min.
Dielectric Strength: 2,000VAC
Operating/Storage Temperature: -20°C to 55°C
Travel: 2.50mm
Moisture Protection: IP65
Contact Arrangement: SPST Off-(On)
Actuation Force: 4 N
Panel Thickness: 1-8mm
Mounting Nut Torque: 0.8Nm

FEATURES & BENEFITS

- 19mm panel cutout
- Solder or screw termination options
- Flat, high or domed actuator options
- IP65 rated

PART NUMBER CONFIGURATOR

Series	Actuator Options	Terminal Options	Function Options	Rating Options	Body Finish Options	Actuator Finish Options	Contact Material Options	Marking Options
<input type="text" value="PV1"/>	<input type="text" value="F"/>	<input type="text" value="2"/>	<input type="text" value="4"/>	<input type="text" value="0"/>	<input type="text" value="G"/>	<input type="text" value="G"/>	<input type="text" value="NONE"/>	<input type="text" value="NONE"/>
PV1	F - Flat H - High S - Domed	2 - Solder 6 - Screw	4 - Off - (On)*	0 - 2A, 36VDC	G - Gold N - Nickel S - Polished Stainless B - Brushed Stainless 1 - Black Anodized	G - Gold N - Nickel S - Polished Stainless B - Brushed Stainless 1 - Black Anodized	NONE - Silver G - Gold	NONE - Non-Illuminated M01 - Power Symbol

NOTES:
*(ON) Denotes function is momentary

Specifications subject to change without notice



E-SWITCH®

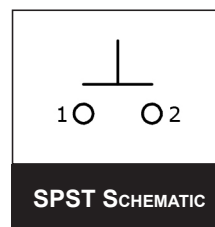
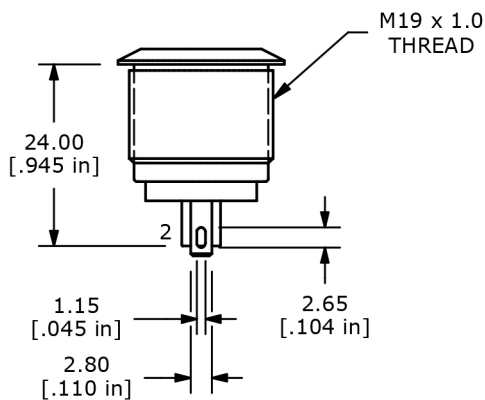
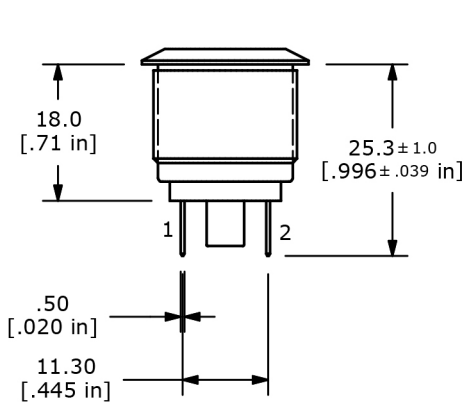
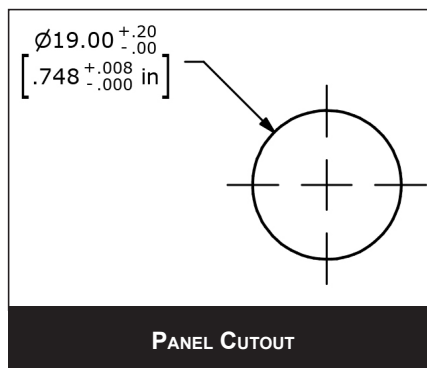
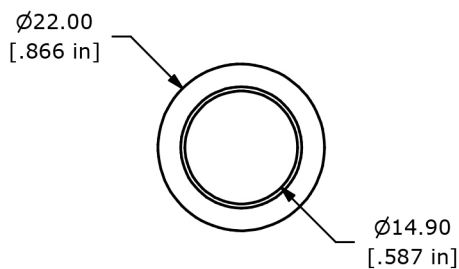
www.e-switch.com

800.867.2717

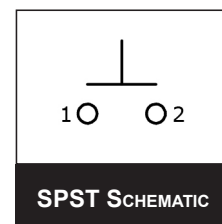
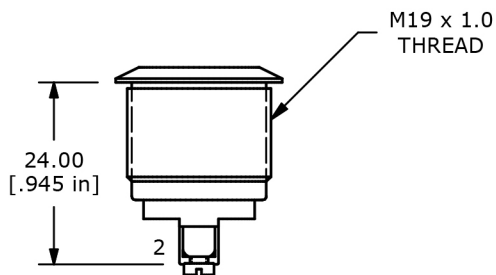
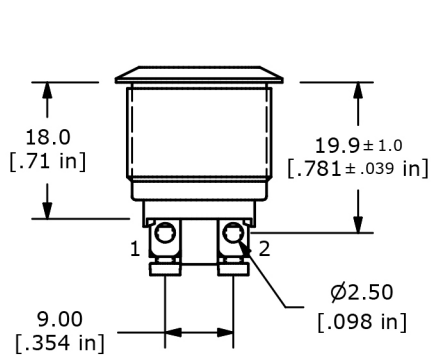
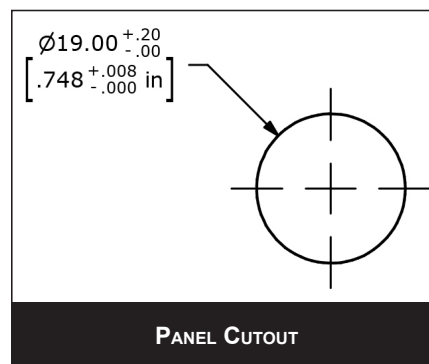
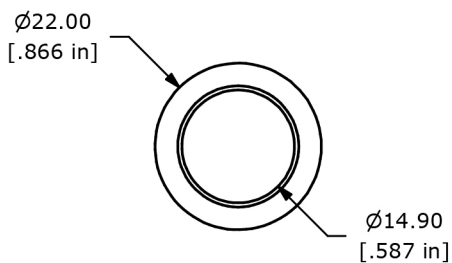
2

PV1 SERIES ANTI-VANDAL SWITCH

SOLDER TERMINATION

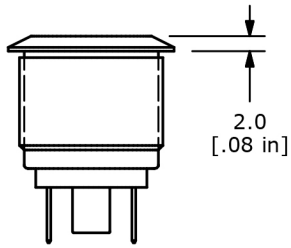
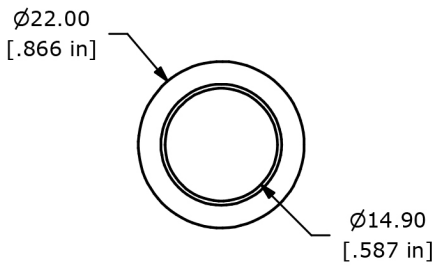


SCREW TERMINATION

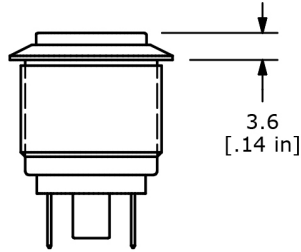
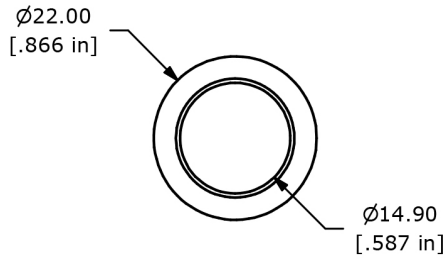


PV1 SERIES ANTI-VANDAL SWITCH

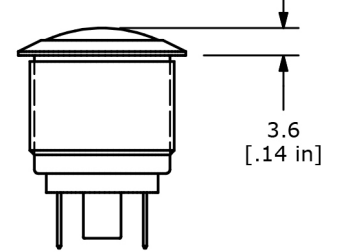
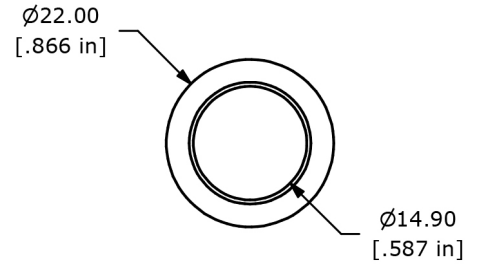
ACTUATOR OPTIONS



FLAT ACTUATOR

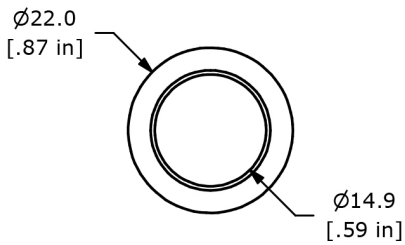


HIGH ACTUATOR

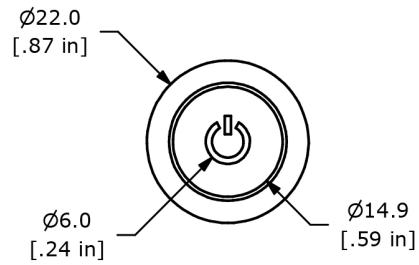


DOMED ACTUATOR

GRAPHIC OPTIONS



NONE



M01 POWER SYMBOL



Mouser Electronics

Authorized Distributor

Click to View Pricing, Inventory, Delivery & Lifecycle Information:

E-Switch:

[PV1F64011](#) [PV1H640GG](#) [PV1H640NN](#) [PV1H640SS](#) [PV1S640GG](#) [PV1S640NN](#) [PV1F640BB](#) [PV1F640GG](#)
[PV1F640NN](#) [PV1S640SS](#) [PV1S64011](#) [PV1F240SS](#) [PV1H240SS](#) [PV1F640SS](#) [PV1H24011](#) [PV1DS240SS](#)
[PV1S240BB](#) [PV1F240BBG](#) [PV1F640BBG](#) [PV1C240SS](#)