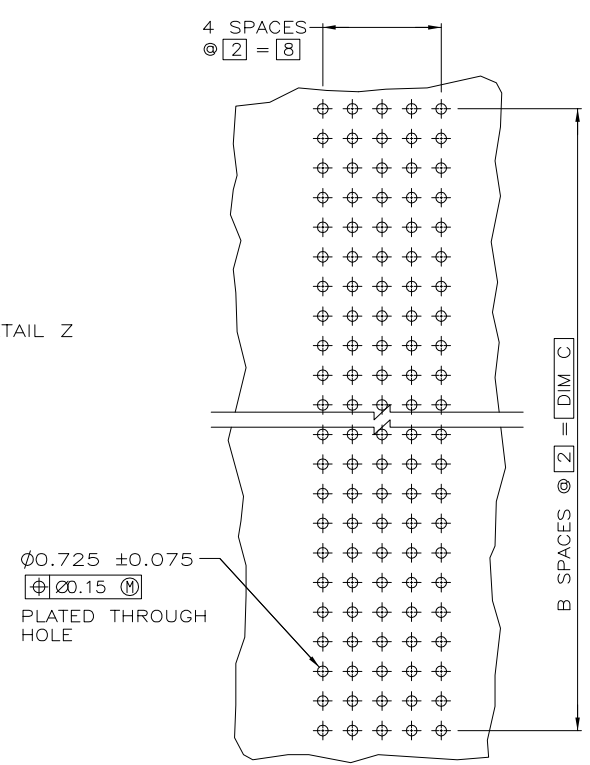
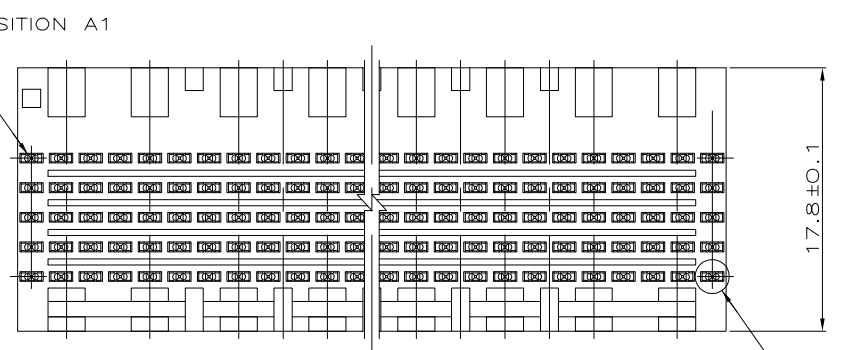
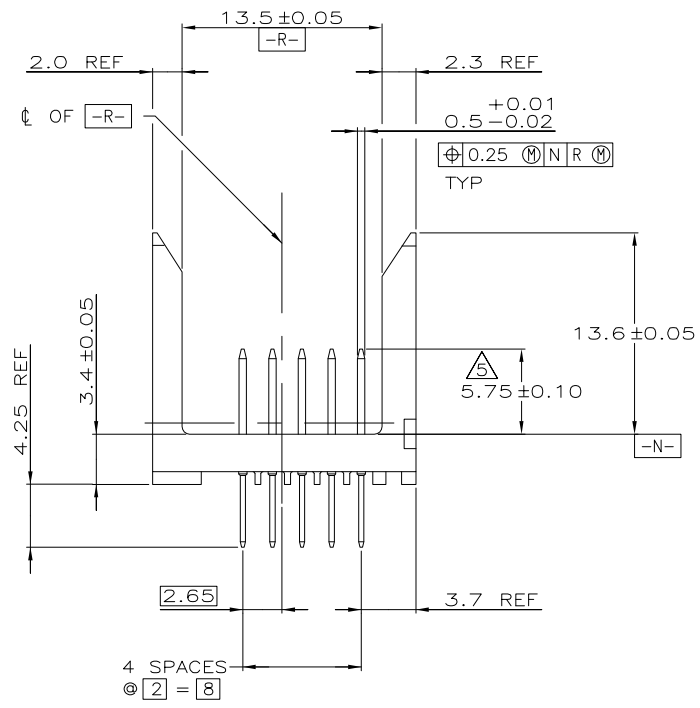
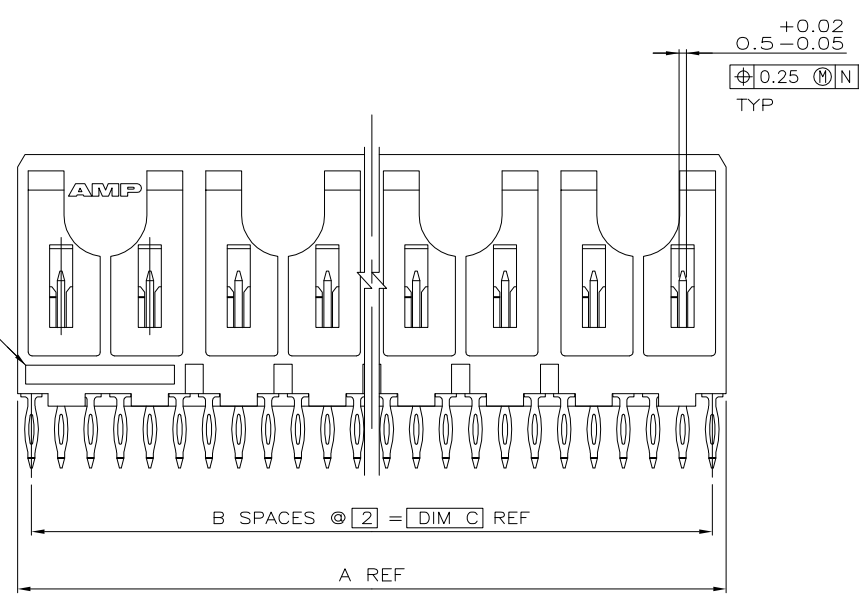
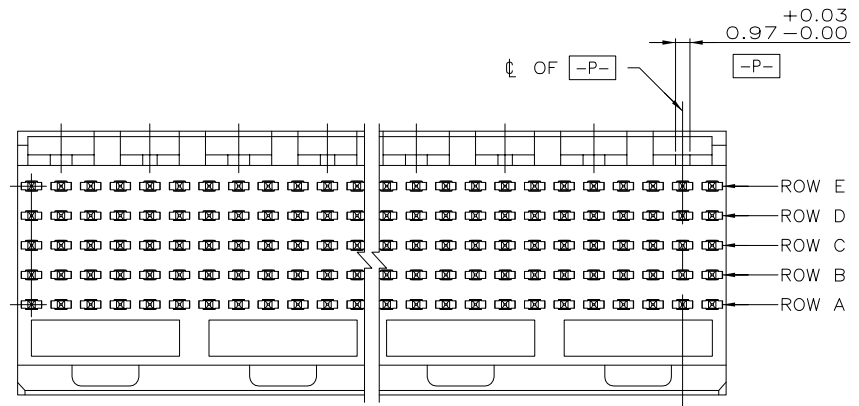
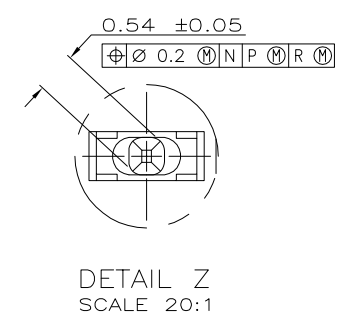


LOC	DIST	REVISIONS			
#	LTR	DESCRIPTION	DATE	DN	APPD
ES	00				
A		REVISED PER ECO-15-015007	03NOV2015	DS	FY



- ⚠ HOUSING MATERIAL: LIQUID CRYSTAL POLYMER  
COLOR: NATURAL.
- ⚠ CONTACT MATERIAL: PHOSPHOR BRONZE
- ⚠ CONTACT FINISH:(B)  
UNDERPLATE (ENTIRE CONTACT):  
0.00127 MIN NICKEL PER SAE-AMS-QQ-N-290  
ON MATING SURFACES:  
CONFORMS TO ALL TESTING SPECIFIED FOR TELCORDIA UNCONTROLLED ENVIRONMENT.  
ON LEADS:  
0.0006 MIN MATTE TIN PER ASTM B 545 OVER UNDERPLATE.  
LUBRICATION (MIN MATING SURFACES):  
SURFACE CONDITIONER AFTER PLATING.
- ⚠ PART MARKING LOCATED APPROXIMATELY AS SHOWN.
- ⚠ DIMENSION APPLIES WHEN SEATED ON PRINTED CIRCUIT BOARD.
- ⚠ CONTACT FINISH:(B)  
UNDERPLATE (ENTIRE CONTACT):  
0.00127 MIN NICKEL PER SAE-AMS-QQ-N-290  
ON MATING SURFACES:  
0.00076 MIN NICKEL OR COBALT HARDENED GOLD PER ASTM B-488 OVER UNDERPLATE.  
ON LEADS:  
0.0006 MIN MATTE TIN PER ASTM B 545 OVER UNDERPLATE.  
LUBRICATION (MIN MATING SURFACES):  
SURFACE CONDITIONER AFTER PLATING.



10	5	11.88	30	3-5223016-1
OBSOLETE	260	130	131.88	1-5223016-1
OBSOLETE	118	59	119.88	1-5223016-0
OBSOLETE	106	53	107.88	5223016-9
94	47	95.88	240	5223016-8
OBSOLETE	82	41	83.88	5223016-7
OBSOLETE	140	70	71.88	5223016-6
58	29	59.88	150	5223016-5
46	23	47.88	120	5223016-4
34	17	35.88	90	5223016-3
22	11	23.88	60	5223016-2
10	5	11.88	30	5223016-1

THIS DRAWING IS A CONTROLLED DOCUMENT.

DMN: B.MCMASTER 22NOV04  
CHK: R.WERTZ 22NOV04  
APPD: R.WERTZ 22NOV04

**STE** TE Connectivity

ASSEMBLY, PIN, SIGNAL, VERTICAL, Z-PACK 2mm FB, 5 ROW, PRESS FIT LEADS

SIZE: A1 CAGE CODE: 00779 DRAWING NO: 5223016

RESTRICTED TO: CUSTOMER DRAWING

SCALE: 4:1 SHEET 1 OF 1 REV A