

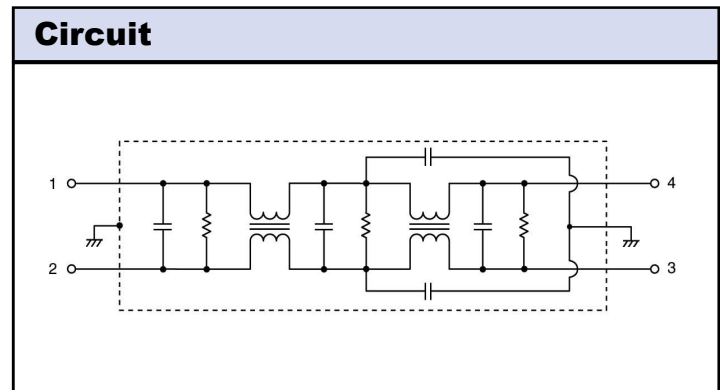
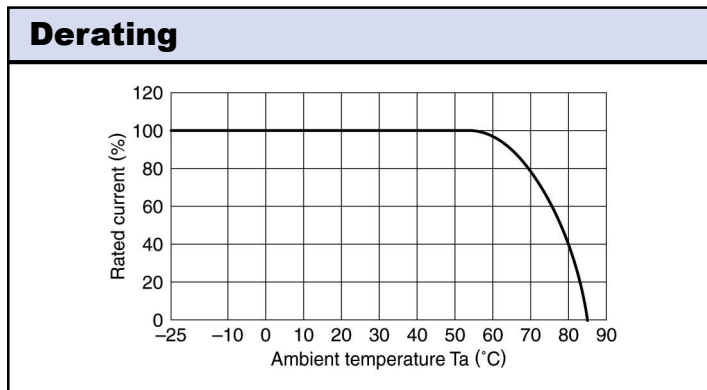
3A to 60A, 250VAC EMI Filters

Features

- ◆ High Voltage Pulse Attenuation
- ◆ Two Stage Filter for Better Performance
- ◆ DIN Rail Mount Option (Up 30A)
- ◆ Low Earth Leakage Current Option (Up to 30A)
- ◆ Conforms to UL, CSA and EN Safety Agency Certifications



| Specifications | | | | | | | | |
|------------------------------|----|---|---------------------------------------|---------------------------------------|---------------------------------------|---------------------------------------|--|--|
| Model | | RSMN-2003 RSMN-2003D RSMN-2003L | RSMN-2006 RSMN-2006D RSMN-2006L | RSMN-2010 RSMN-2010D RSMN-2010L | RSMN-2016 RSMN-2016D RSMN-2016L | RSMN-2020 RSMN-2020D RSMN-2020L | | |
| Rated Voltage (AC, DC) | V | 250V | | | | | | |
| Rated Current | A | 3A | 6A | 10A | 16A | 20A | | |
| Withstand Voltage | V | Terminals to Case: 2500VAC (1 Minute) | | | | | | |
| Isolation Resistance | MΩ | 100MΩ minimum (500VDC, 1 Minute) | | | | | | |
| Leakage Current (max) | A | RSMN-20xx 1mA; RSMN20xxL 10uA (250VAC, 60Hz) | | | | | | |
| DC Resistance (total) | mΩ | 350 | 140 | 60 | 35 | 22 | | |
| Model | | RSMN-2030 RSMN-2030D RSMN-2030L | RSMN-2040 | RSMN-2050 | RSMN-2060 | | | |
| Rated Voltage (AC, DC) | V | 250V | | | | | | |
| Rated Current | A | 30A | 40A | 50A | 60A | | | |
| Withstand Voltage | V | Terminals to Case: 2500VAC (1 Minute) | | | | | | |
| Isolation Resistance | MΩ | 100MΩ minimum (500VDC, 1 Minute) | | | | | | |
| Leakage Current (max) | A | RSMN-20xx 1mA; RSMN20xxL 10uA (250VAC, 60Hz) | | | | | | |
| DC Resistance (total) | mΩ | 12 | 10 | 8 | 6 | | | |
| Operating Temperature | °C | -25 to +85°C (Derate above 55°C, see derating curve) | | | | | | |
| Storage Temperature | °C | -25 to +85°C | | | | | | |
| Safety Agency Certifications | - | Up to 30A Models - UL1283, CSA C22.2 No.8, EN60939 | | | | | | |
| Weight | g | 190g to 960g model dependant (See weights chart on website) | | | | | | |
| Warranty | yr | 5 Year | | | | | | |

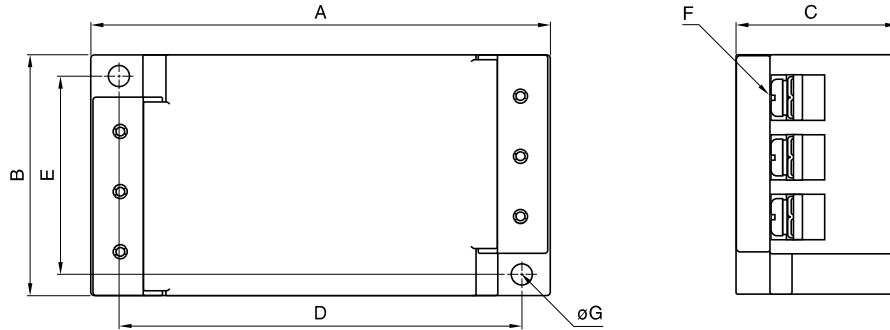


Options

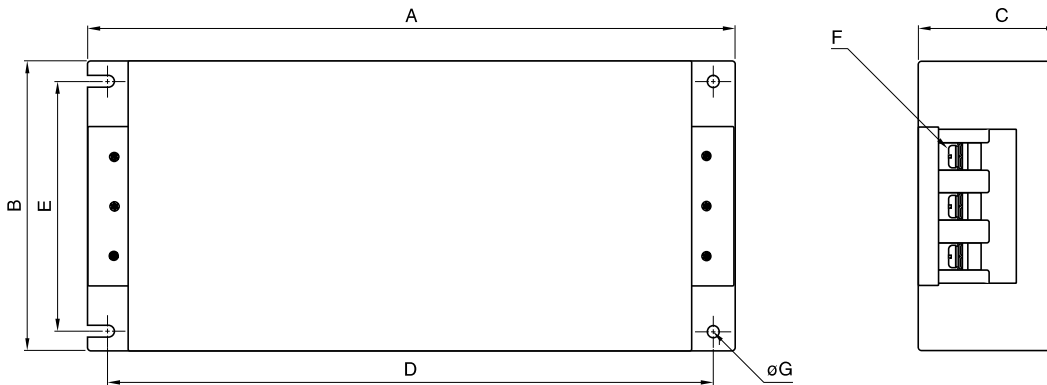
| | |
|---|------------|
| Chassis Mount & Standard Leakage Current | RSMN-20xx |
| DIN Rail Mount & Standard Leakage Current | RSMN-20xxD |
| Chassis Mount & Low Leakage Current | RSMN-20xxL |

Outline Drawing

RSMN-2003/2006/2010/2016/2020/2030



RSMN-2040/2050/2060



Dimensions in mm

| Part No. | A | B | C | D | E | F | G | Recommended clamping torque |
|-----------|-----|-----|----|-----|----|----|-----|-----------------------------|
| RSMN-2003 | 98 | 52 | 35 | 86 | 43 | M4 | 4.5 | 1.27N m |
| RSMN-2006 | | | | | | | | |
| RSMN-2010 | | | | | | | | |
| RSMN-2016 | 127 | 52 | 35 | 115 | 43 | M4 | 4.5 | |
| RSMN-2020 | | | | | | | | |
| RSMN-2030 | | | | | | | | |
| RSMN-2040 | 272 | 100 | 60 | 254 | 82 | M5 | 5.5 | 2.5N m |
| RSMN-2050 | | | | | | | | |
| RSMN-2060 | | | | | | | | |

For Additional Information, please visit us.tdk-lambda.com/lp/products/r-series.htm



Mouser Electronics

Authorized Distributor

Click to View Pricing, Inventory, Delivery & Lifecycle Information:

[TDK-Lambda:](#)

[RSMN-2003D](#) [RSMN-2003L](#) [RSMN-2003LD](#) [RSMN-2006](#) [RSMN-2006D](#) [RSMN-2006L](#) [RSMN-2006LD](#) [RSMN-2010D](#) [RSMN-2010L](#) [RSMN-2010LD](#) [RSMN-2016](#) [RSMN-2016L](#) [RSMN-2020](#) [RSMN-2020D](#) [RSMN-2020L](#) [RSMN-2020LD](#) [RSMN-2030](#) [RSMN-2030L](#) [RSMN-2030LD](#) [RSMN-2040](#) [RSMN-2050](#) [RSMN-2030D](#) [RSMN-2016D](#) [RSMN-2003](#) [RSMN-2010](#) [RSMN-2060](#) [RSMN-2016LD](#)