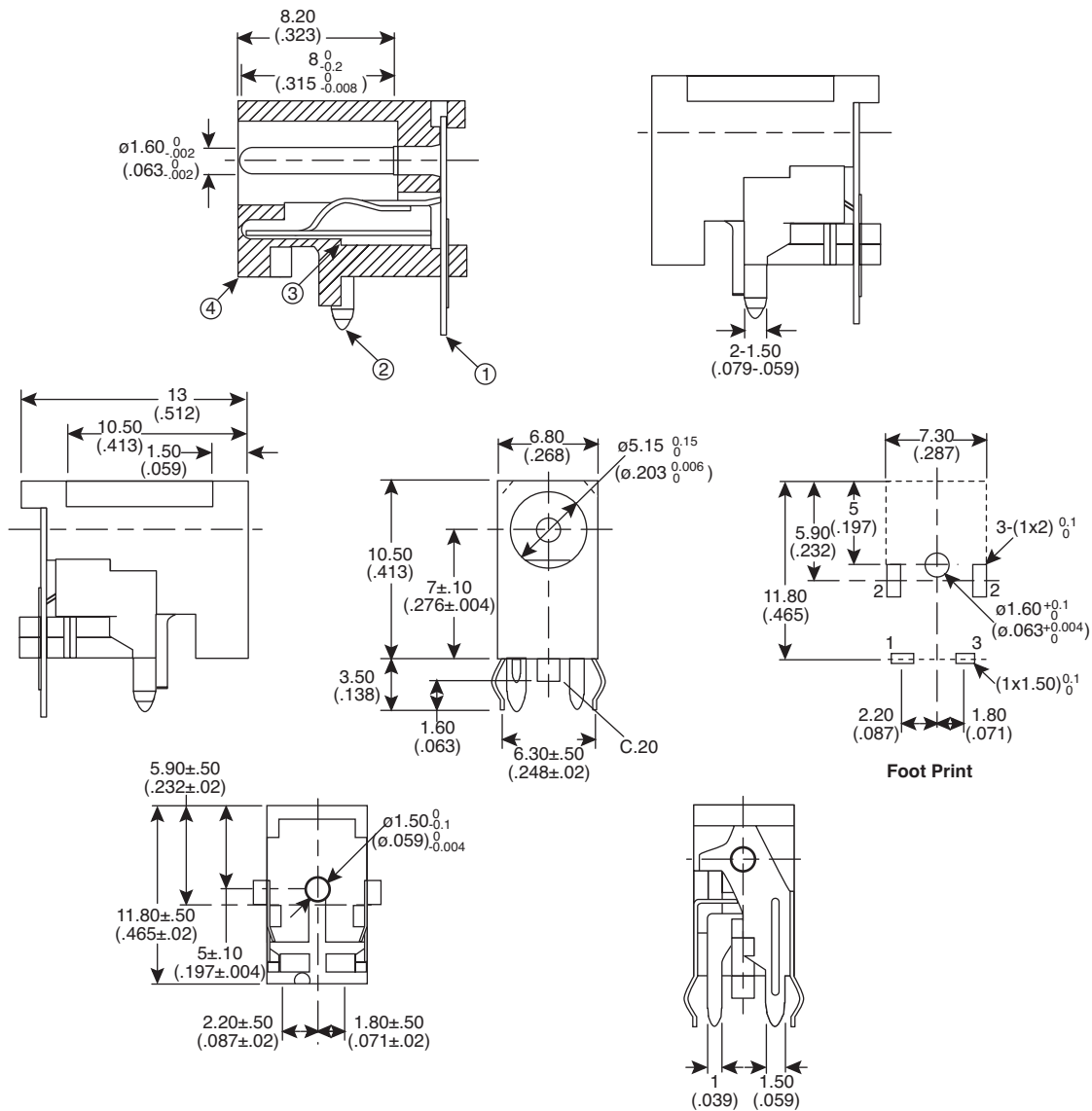


# DC Power Jack

163-4119-E

KOBI CONN

DC Power Jack



Dimensions: mm (In.)

## ELECTRICAL SPECIFICATIONS

<b>Rating:</b>	10.5 VDC 2A
<b>Dielectric Strength:</b>	500 VAC for one min.
<b>Contact resistance:</b>	30mΩ max.
<b>Insulation Resistance:</b>	100MΩ min. @ 500 VDC
RoHS Compliant	

## MATERIAL SPECIFICATIONS

No.	Name	Qty.	Material	Finish
1	Contact C	1	C2680A	Sn.Pb t0.3
2	Contact B	1	C2680A	Ag. t0.3
3	Contact A	1	TiCuA	Ag t0.3
4	Body	1	PBT	---

Date Last Revised: 12-22-05

Available from Mouser Electronics  
1-800-346-6873  
www.mouser.com

KC-300948

163-4119-E

# Mouser Electronics

Authorized Distributor

Click to View Pricing, Inventory, Delivery & Lifecycle Information:

[Kobiconn:](#)

[163-4119-E](#)