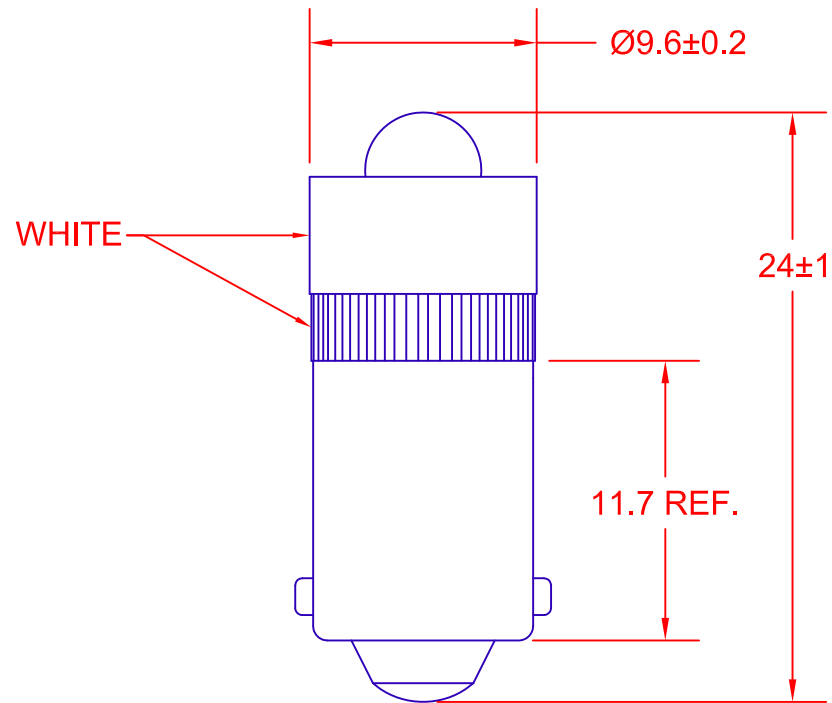


REV.	DESCRIPTION/ECO NO.	DATE
	RELEASED	4/19/12



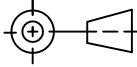
**FEATURES**

Non-Polarized  
24V AC or DC Operation

**ELECTRICAL OPTICAL CHARACTERISTICS**

COLOR	AC/DC VOLTS	AMPS (mA)	LUMINOUS INTENSITY (mcd)	COLOR TEMPERATURE	50% POWER ANGLE (deg.)
COOL WHITE	24	20 (MAX.)	TYP. 7,000	6000K	30

**JKL PART NO.: LE-BA9S-24W**

<b>METRIC</b>  THIRD ANGLE PROJECTION	DIMENSIONS ARE IN MILLIMETERS TOLERANCE UNLESS OTHERWISE SPECIFIED 1 PL +/- 0.2 2 PL +/- 0.20 ANGLE +/- 0		<b>JKL COMPONENTS CORPORATION</b> TITLE 24V T-3 1/4 BAYONET BASED LED				
	DRAWN BY L. WENGSTROM	APPV'D BY L.R.	DATE 4/19/12	SIZE <b>A</b>	FSCM NO. <b>55335</b>	DRAWING NO. <b>LE-BA9S-24W</b>	
- CAD DRAWING - MANUAL REVISIONS NOT PERMITTED			SCALE NONE	RELEASED DATE 4/19/12	REVISION DATE	REV. NO.	SHEET 1 OF 1