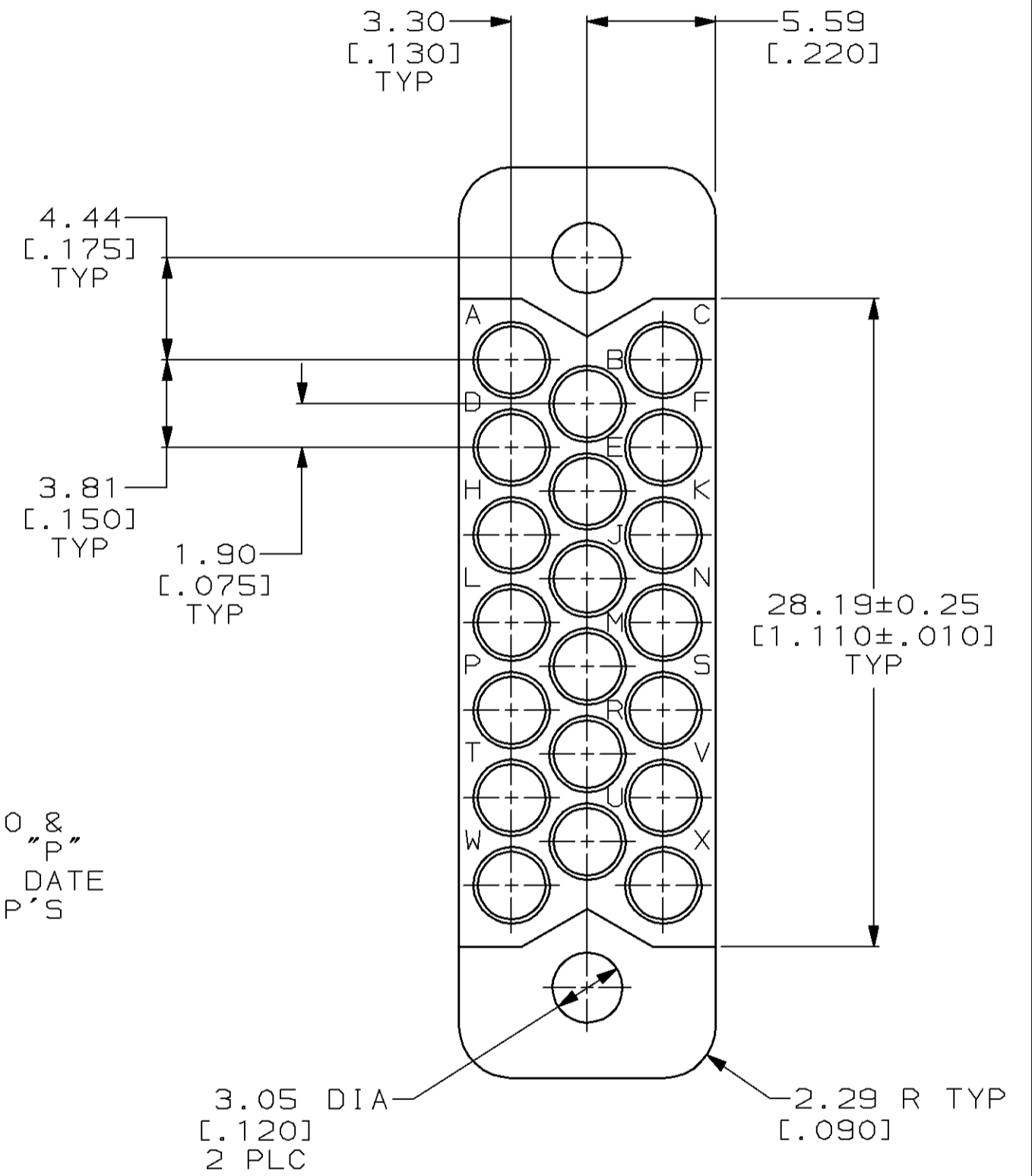
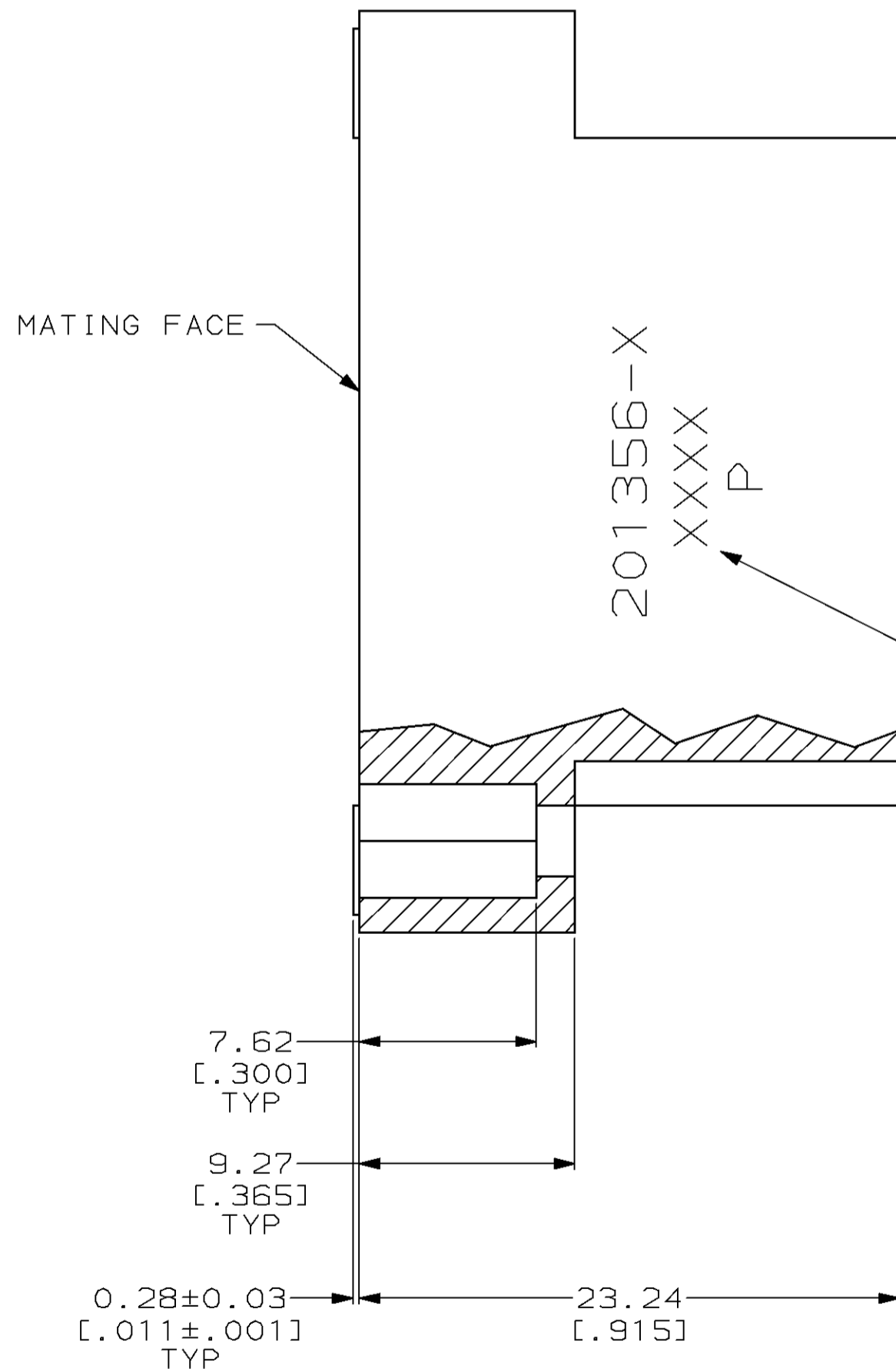
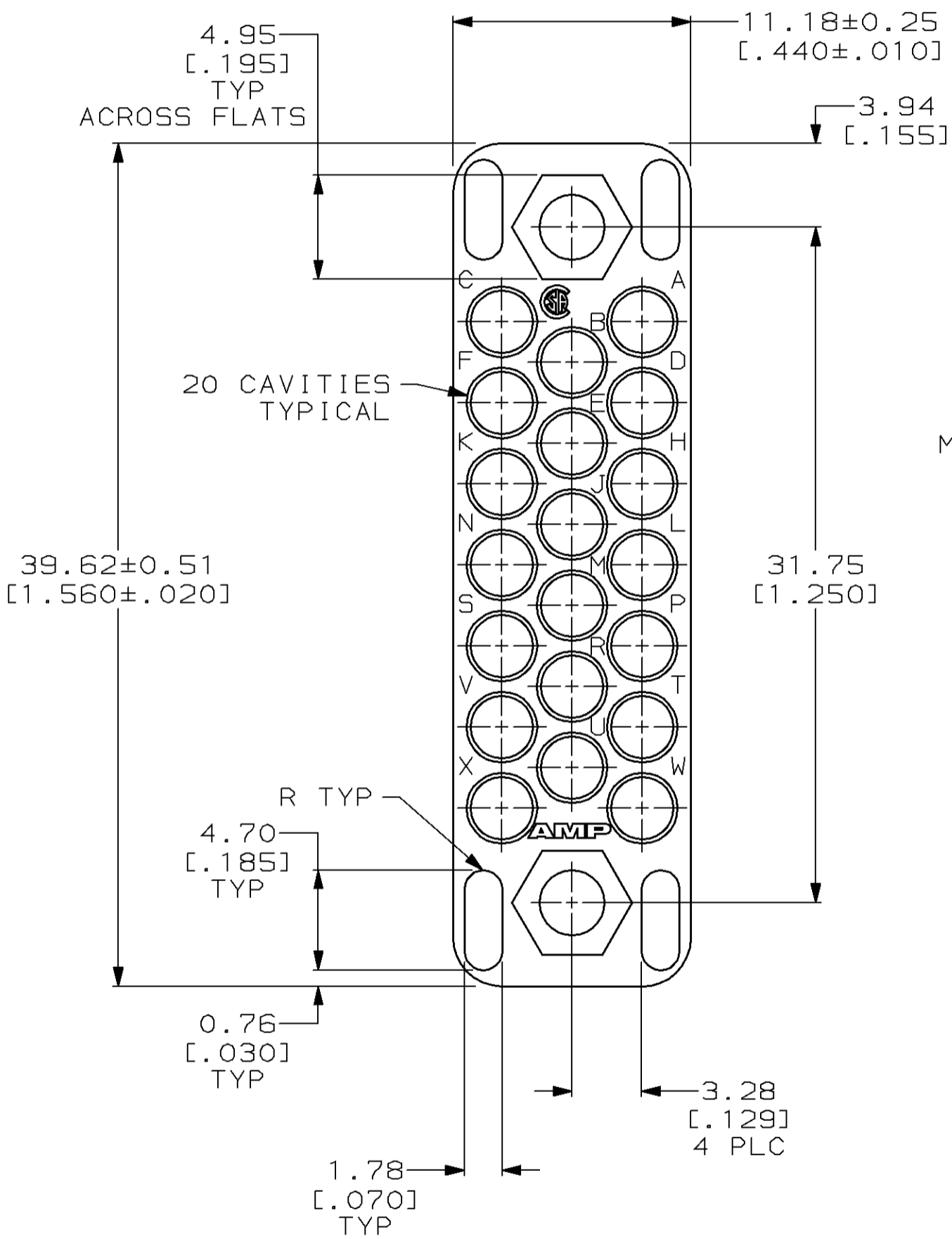
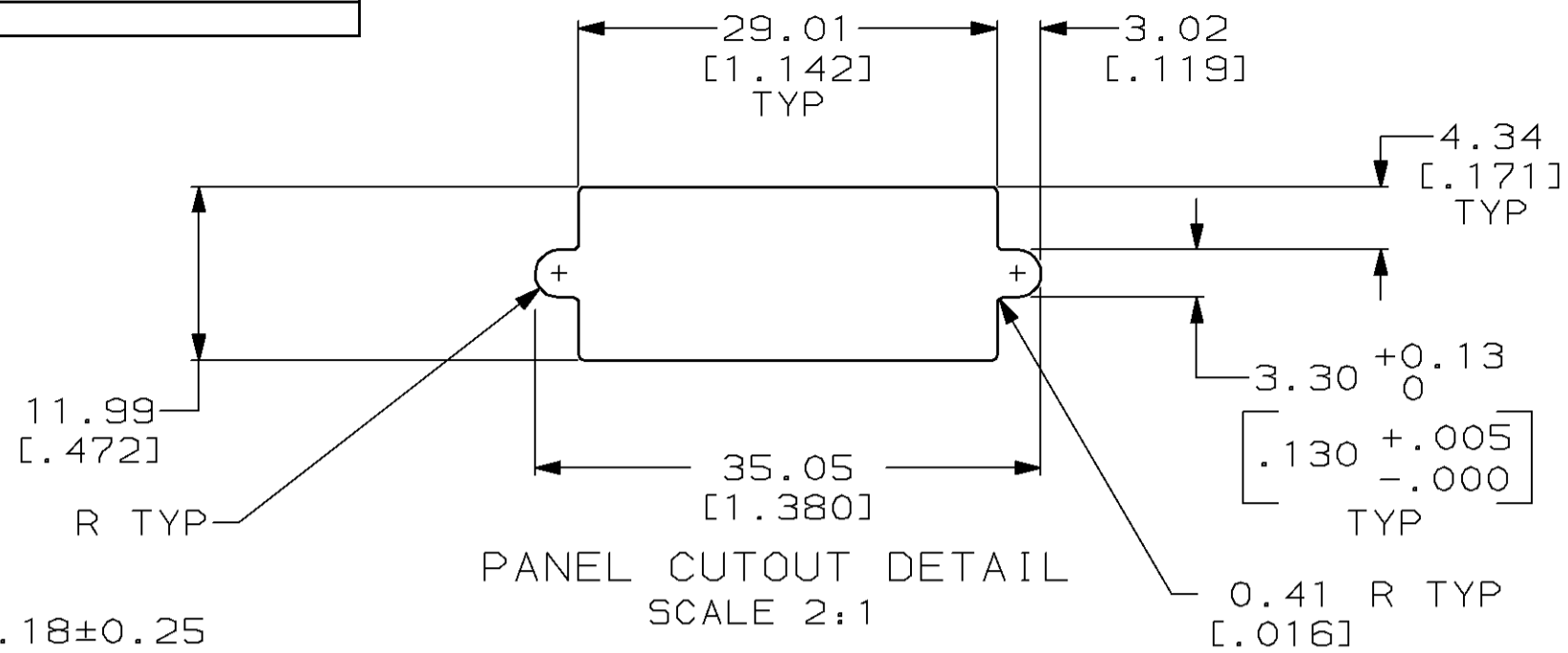


THIS DRAWING IS UNPUBLISHED. RELEASED FOR PUBLICATION
 © COPYRIGHT 19 BY AMP INCORPORATED. ALL RIGHTS RESERVED.

REVISIONS					
P	LTR	DESCRIPTION	DATE	DWN	APVD
	K	REDRAWN W/O CHANGE PER EC 0020-1299-95	04 DEC 95	-	-
	L	REV PER EC 0320-82-97	14 AUG 97	BC	GS



- 1 PHENOLIC PER MIL-M-14, TYPE CFG, BLACK.
- 2 DIALYL PHTHALATE PER MIL-M-14, TYPE SDG-F, BLUE.
- 3. MATES WITH BLOCK 200346 & ACCOMODATES TYPE II OR TYPE III #16 PIN OR SOCKET CONTACTS.

2	201356-3
1	201356-1
MATERIAL	PART NUMBER

THIS DRAWING IS A CONTROLLED DOCUMENT FOR AMP INCORPORATED. IT IS SUBJECT TO CHANGE AND THE CONTROLLING ENGINEERING ORGANIZATION SHOULD BE CONTACTED FOR THE LATEST REVISION.		DWN C. REIFSNYDER 04 DEC 95	AMP Incorporated Harrisburg, PA 17105-3608	
DIMENSIONS: mm [INCHES]		CHK R. STONE 13 MAR 96	NAME BLOCK, MALE, 20 PLACE, MINIATURE RECTANGULAR, M SERIES	
TOLERANCES UNLESS OTHERWISE SPECIFIED:		APVD G.A. STEINHAUER 24 JUN 96	PRODUCT SPEC -	
0 PLC ±-		APPLICATION SPEC -	SIZE A2	
1 PLC ±-		WEIGHT -	CAGE CODE 00779	
2 PLC ±0.13 [.005]		CUSTOMER DRAWING	DRAWING NO C-201356	
3 PLC ±-		SCALE 4:1	SHEET 1 OF 1	
4 PLC ±-			REV L	
ANGLES ±-				
FINISH -				
MATERIAL SEE TABLE				

Mouser Electronics

Authorized Distributor

Click to View Pricing, Inventory, Delivery & Lifecycle Information:

[TE Connectivity:](#)

[201356-1](#) [201356-2](#)