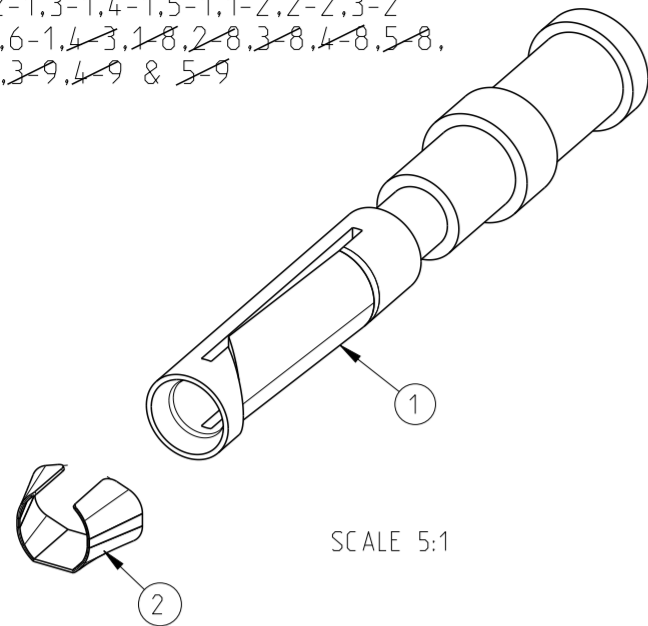


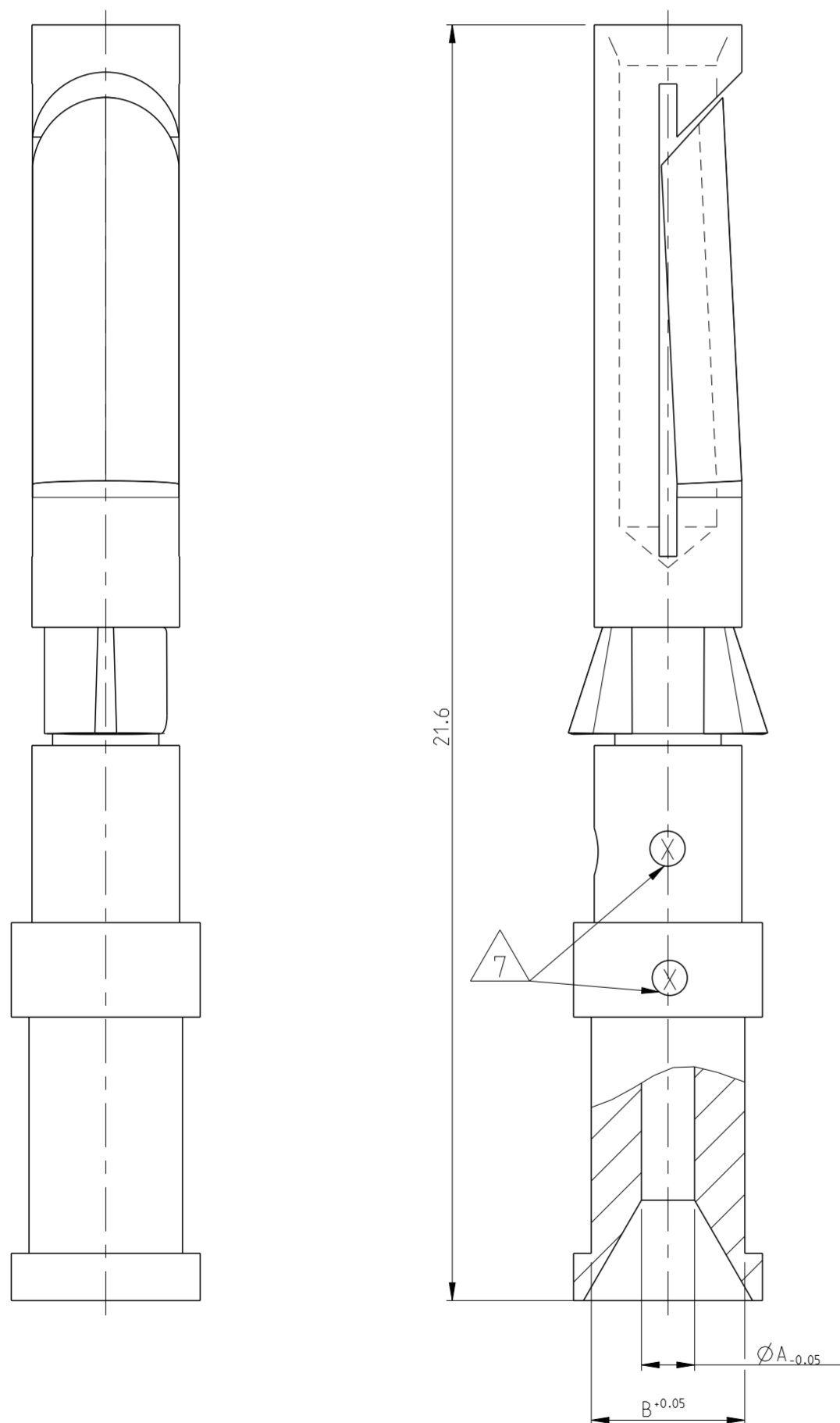
THIS DRAWING IS UNPUBLISHED. RELEASED FOR PUBLICATION 1997
 © COPYRIGHT 1997 ALL RIGHTS RESERVED.

PN 1-1.2-1.3-1.4-1.5-1.1-2.2-2.3-2
 4-2.5-2.6-1.4-3.1-8.2-8.3-8.4-8.5-8.
~~4-9.2-9.3-9.4-9 & 5-9~~



SCALE 5:1

PN 1-1.2-1.3-1.4-1.5-1.1-2.2-2.3-2
 4-2.5-2.6-1.4-3.1-8.2-8.3-8.4-8.5-8.
~~4-9.2-9.3-9.4-9 & 5-9~~



21.6

$\phi A_{-0.05}$

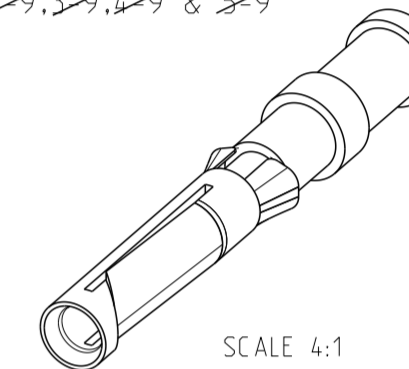
B ± 0.05

| LOC | DIST | REVISIONS | | | | | |
|-----|------|-----------|-----|----------------------------|-----------|-----|------|
| | | P | LTR | DESCRIPTION | DATE | DWN | APVD |
| A1 | - | B3 | | REWORKED PER ECR 09-026789 | 08DEC2009 | MH | BR |
| | | B4 | | ECR-11-002636 | 05APR2011 | SR | AR |
| | | B5 | | REVISED PER ECR-16-016780 | 22AUG2017 | NG | MKO |

NOTES

- 1 MATERIAL SEE TABLE
- 2 SURFACE SEE TABLE
- 3 ASSEMBLY WEIGHT SEE TABLE
- 4 PACKAGING: 50 PIECES IN POLY-BAG 0-1243085-8
- 5 PACKAGING: 500 PIECES IN POLY-BAG 0-1243085-8
- 6 PACKAGING: 10 PIECES IN POLY-BAG 0-1243085-8
- 7 CROSS-SECTION MARKING

PN 1-1.2-1.3-1.4-1.5-1.1-2.2-2.3-2
 4-2.5-2.6-1.4-3.1-8.2-8.3-8.4-8.5-8.
~~4-9.2-9.3-9.4-9 & 5-9~~



SCALE 4:1

| QTY | DESCRIPTION | WEIGHT IN (KG) | MATERIAL | SURFACE | ϕA | ϕB | CROSS SECTION MARKING | POS |
|-----|--|----------------|-----------------|---------|----------|----------|-----------------------|-----|
| 1 | Catch Spring | | Stainless Steel | | | | | 2 |
| 1 | Socket Contact 1.5 mm ² | 0.00062 | Brass | Ag/Ni | 1.8 | 3.0 | 4 | |
| 1 | Socket Contact 4.0 mm ² | 0.00059 | Brass | Ag/Ni | 2.4 | 3.2 | 6 | |
| 1 | Socket Contact 2.5 mm ² | 0.00067 | Brass | Au | 2.2 | 3.2 | 5 | |
| 1 | Socket Contact 1.5 mm ² | 0.00067 | Brass | Au | 1.8 | 3.0 | 4 | |
| 1 | Socket Contact 0.75-10 mm ² | 0.00063 | Brass | Au | 1.45 | 2.6 | 3 | |
| 1 | Socket Contact 0.5 mm ² | 0.00062 | Brass | Au | 1.1 | 2.6 | 2 | |
| 1 | Socket Contact 0.14-0.37 mm ² | 0.00061 | Brass | Au | 0.9 | 2.6 | 1 | |
| 1 | Socket Contact 2.5 mm ² | 0.00065 | Brass | Ag/Cu | 2.2 | 3.2 | 5 | 1 |
| 1 | Socket Contact 1.5 mm ² | 0.00067 | Brass | Ag/Cu | 1.8 | 3.0 | 4 | |
| 1 | Socket Contact 0.75-10 mm ² | 0.00063 | Brass | Ag/Cu | 1.45 | 2.6 | 3 | |
| 1 | Socket Contact 0.5 mm ² | 0.00062 | Brass | Ag/Cu | 1.1 | 2.6 | 2 | |
| 1 | Socket Contact 0.14-0.37 mm ² | 0.00061 | Brass | | 0.9 | 2.6 | 1 | |
| 1 | Socket Contact 0.14-0.37 mm ² | 0.00065 | Fe | Au | 0.9 | 2.6 | 1 | |
| 1 | Socket Contact 0.14-0.37 mm ² | 0.00067 | Brass | Ag/Cu | 0.9 | 2.6 | 1 | |

THIS DRAWING IS A CONTROLLED DOCUMENT.

DWN: Braun 23.07.1997
 CHK: Schnurpfeil 23.07.1997
 APVD: -

PRODUCT SPEC: 108-74018
 APPLICATION SPEC: 114-74015
 WEIGHT: -

NAME: SOCKET CONTACT SERIES HN.D
 SIZE: A2
 CAGE CODE: 00779
 DRAWING NO: C-1105051
 RESTRICTED TO: -

CUSTOMER DRAWING SCALE: 10:1 SHEET: 1 OF 1 REV: B5

Mouser Electronics

Authorized Distributor

Click to View Pricing, Inventory, Delivery & Lifecycle Information:

[TE Connectivity:](#)

[1-1105051-1](#)