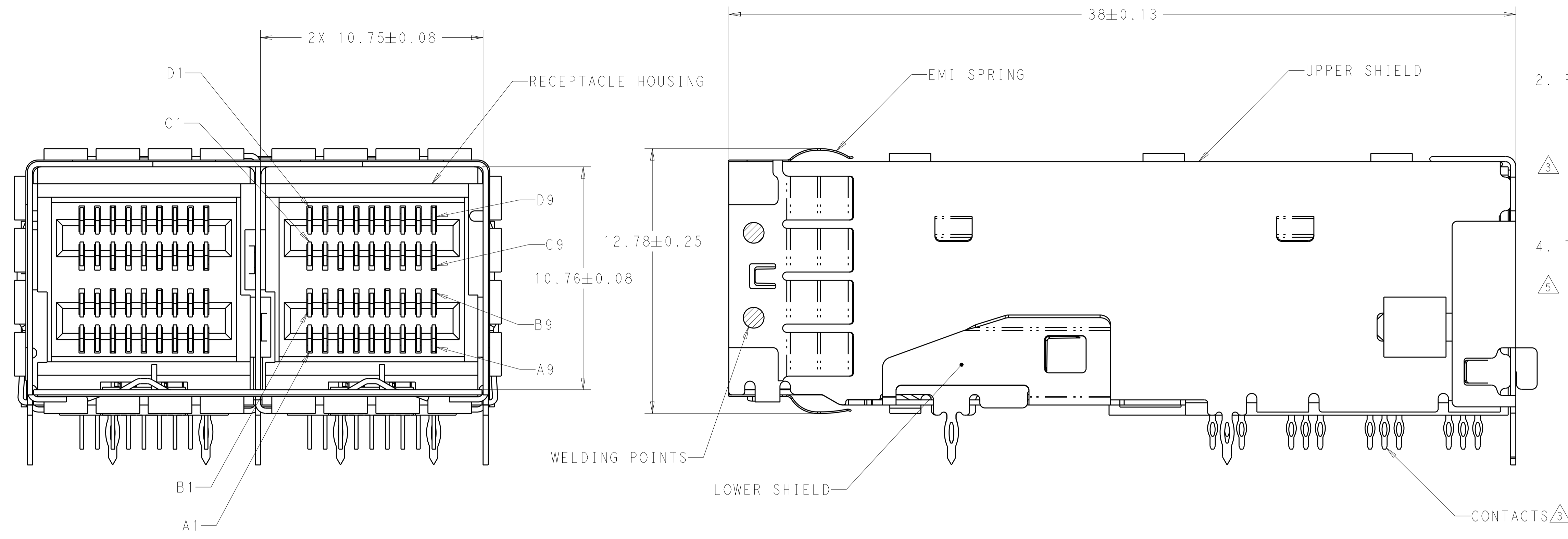
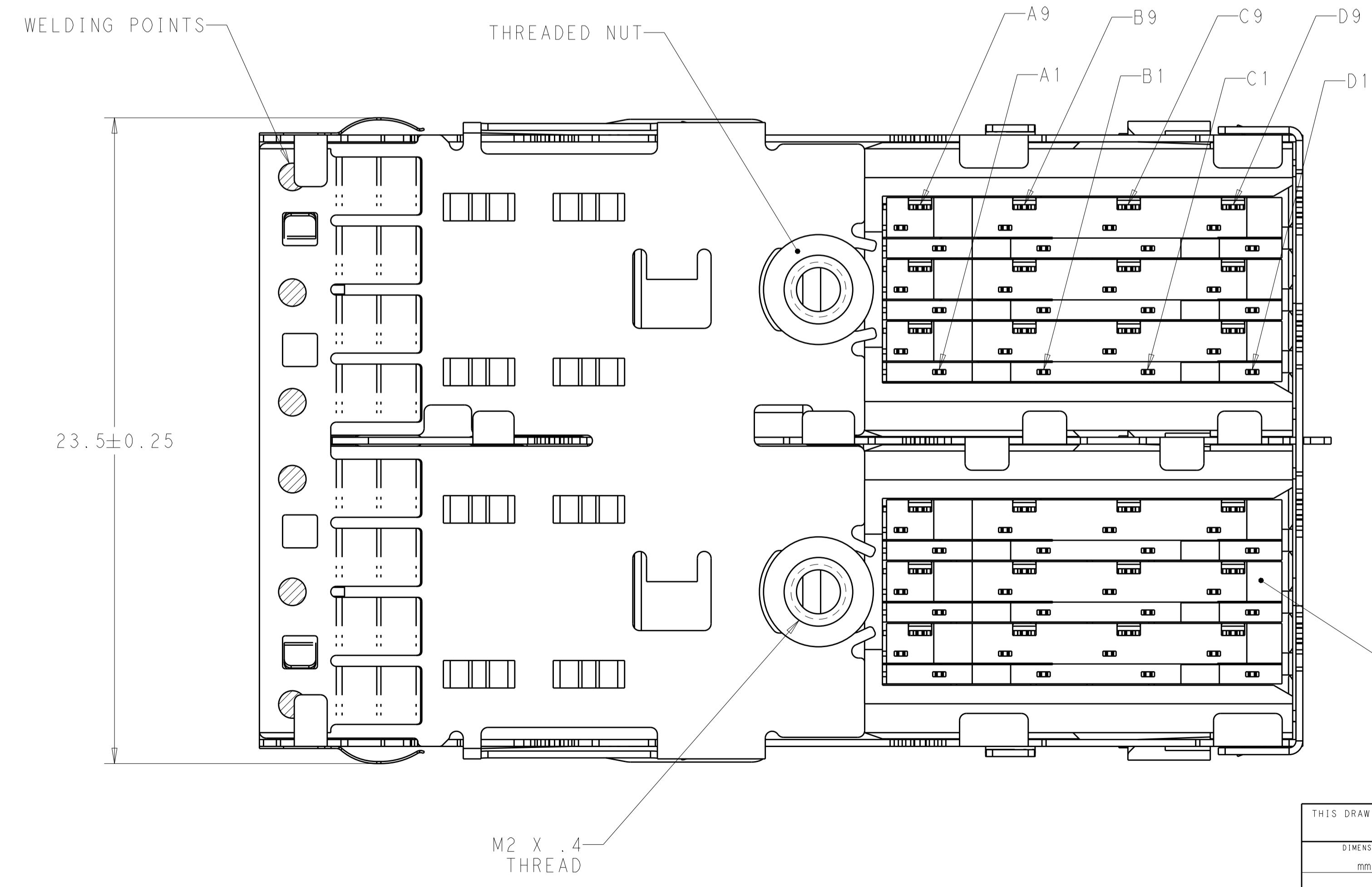


LOC	DIST	REVISIONS			
P	LTN	DESCRIPTION	DATE	DWN	APVD
A		REVISED PER ECO-14-018497	16DEC2014	AP	DG
B		REVISED PER ECO-16-006997	09MAY2016	JY	SH
C		REVISED PER ECO-16-007813	23MAY2016	JY	SH



1. MATERIALS
 RECEPTACLE HOUSING, LCP, BLACK, UL94V-0 RATED
 SHIELD ASSY: NICKEL SILVER COPPER ALLOY
 CONTACTS: COPPER ALLOY
 EMI SPRING: COPPER ALLOY
 THREADED NUT: BRASS
 CHICKLETS: LCP, BLACK, UL 94V-0 RATED
 2. FINISH
 EMI SPRING: TIN PLATE OVER NICKEL PLATE
 NON-PLATED EDGES PERMISSABLE
 THREADED NUT: NICKEL PLATE
 3. CONTACT FINISH: CONFORMS TO THE REQUIREMENTS OF TE PRODUCT SPECIFICATION, 108-2462. BASED ON EIA/ECA-364-1000.01A. (CONTROLLED ENVIRONMENT APPLICATIONS) ON MATING END. TIN PLATED ON PCB TAIL
 4. THREAD LENGTH OF FASTENER = PCB THICKNESS + 1.45 MAX
- RECOMMENDED TRACE KEEP OUT ZONE

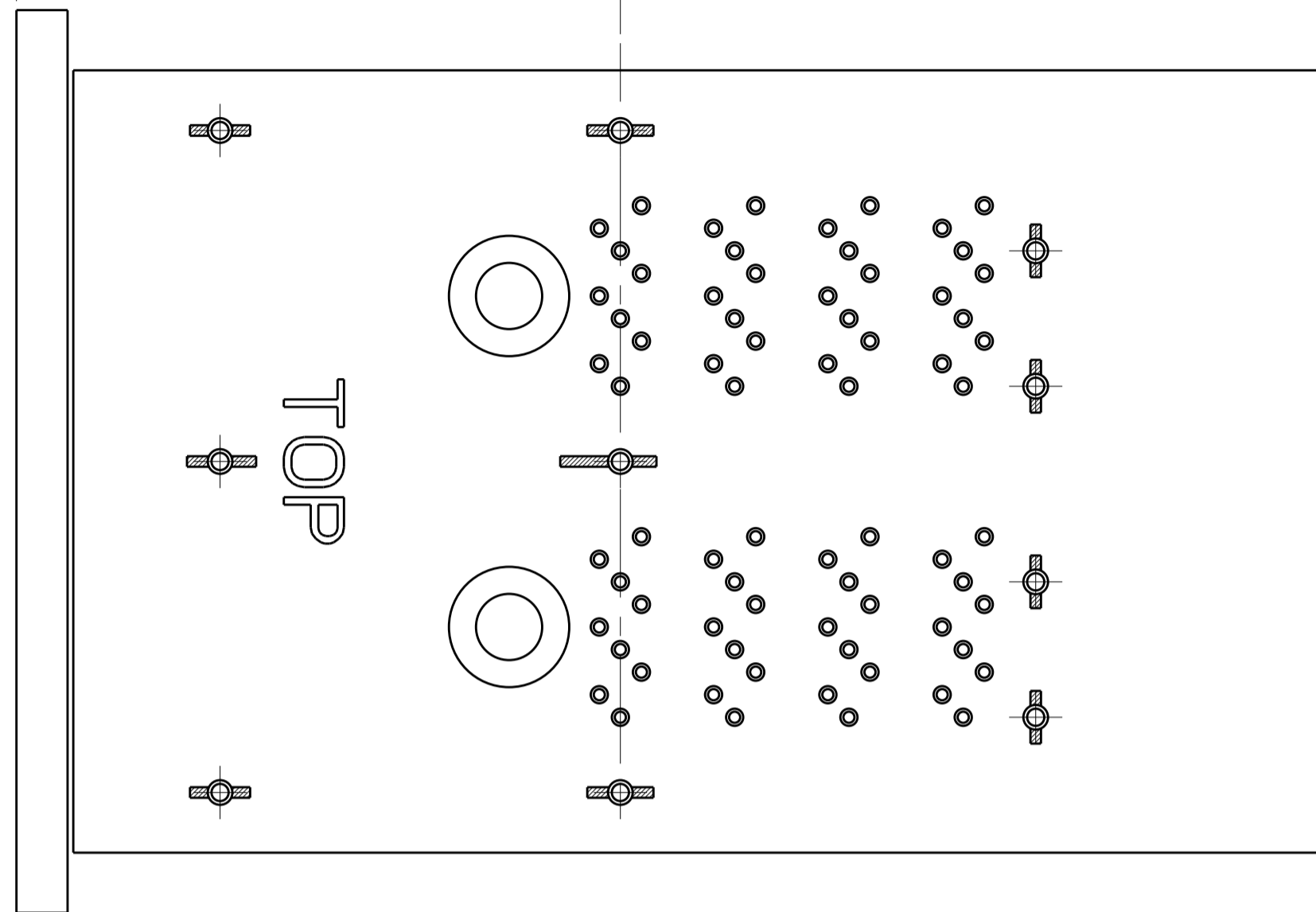
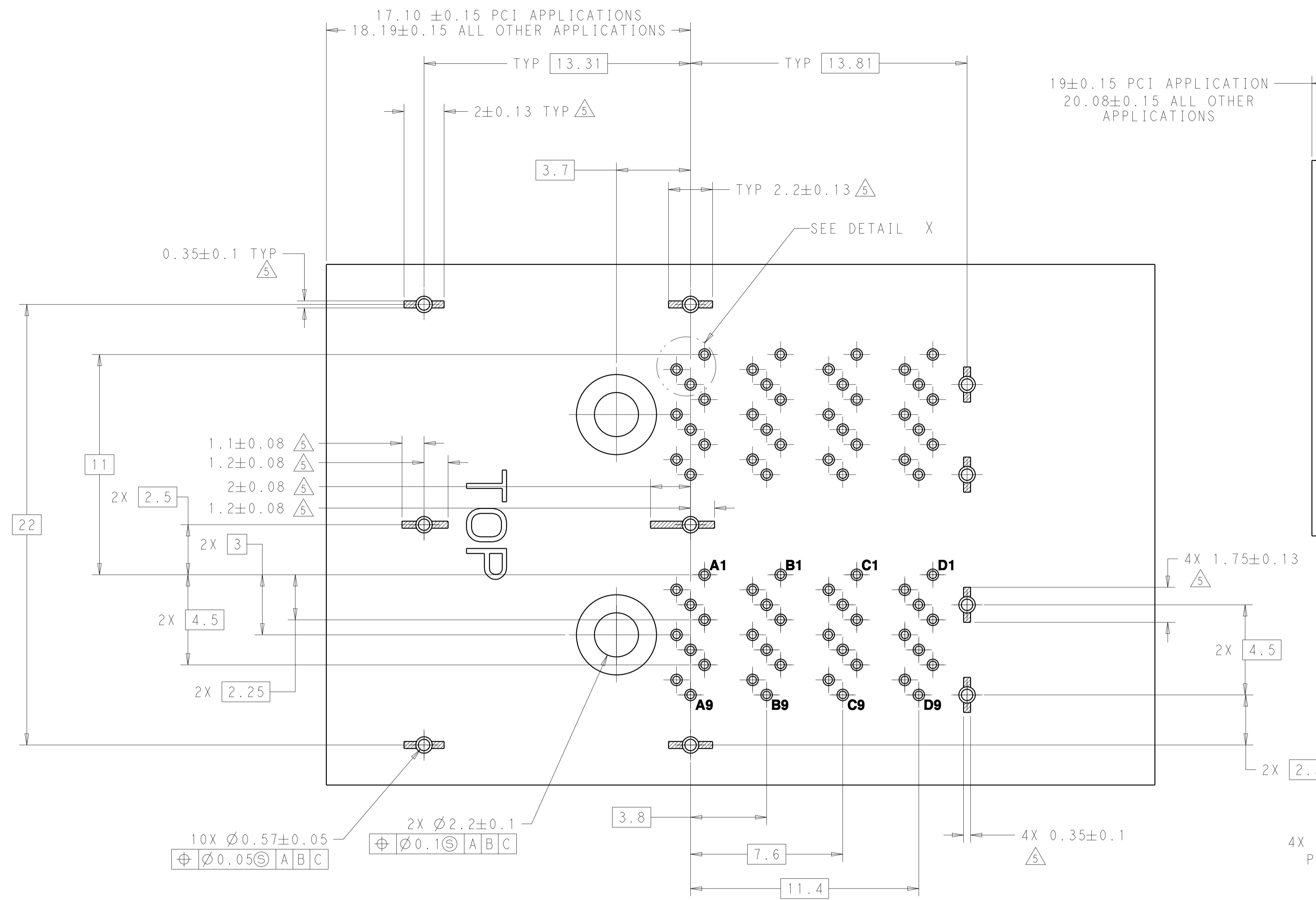


TAPE&REEL	2149966-5
TRAY	2149966-1
PACKAGE	PART NUMBER

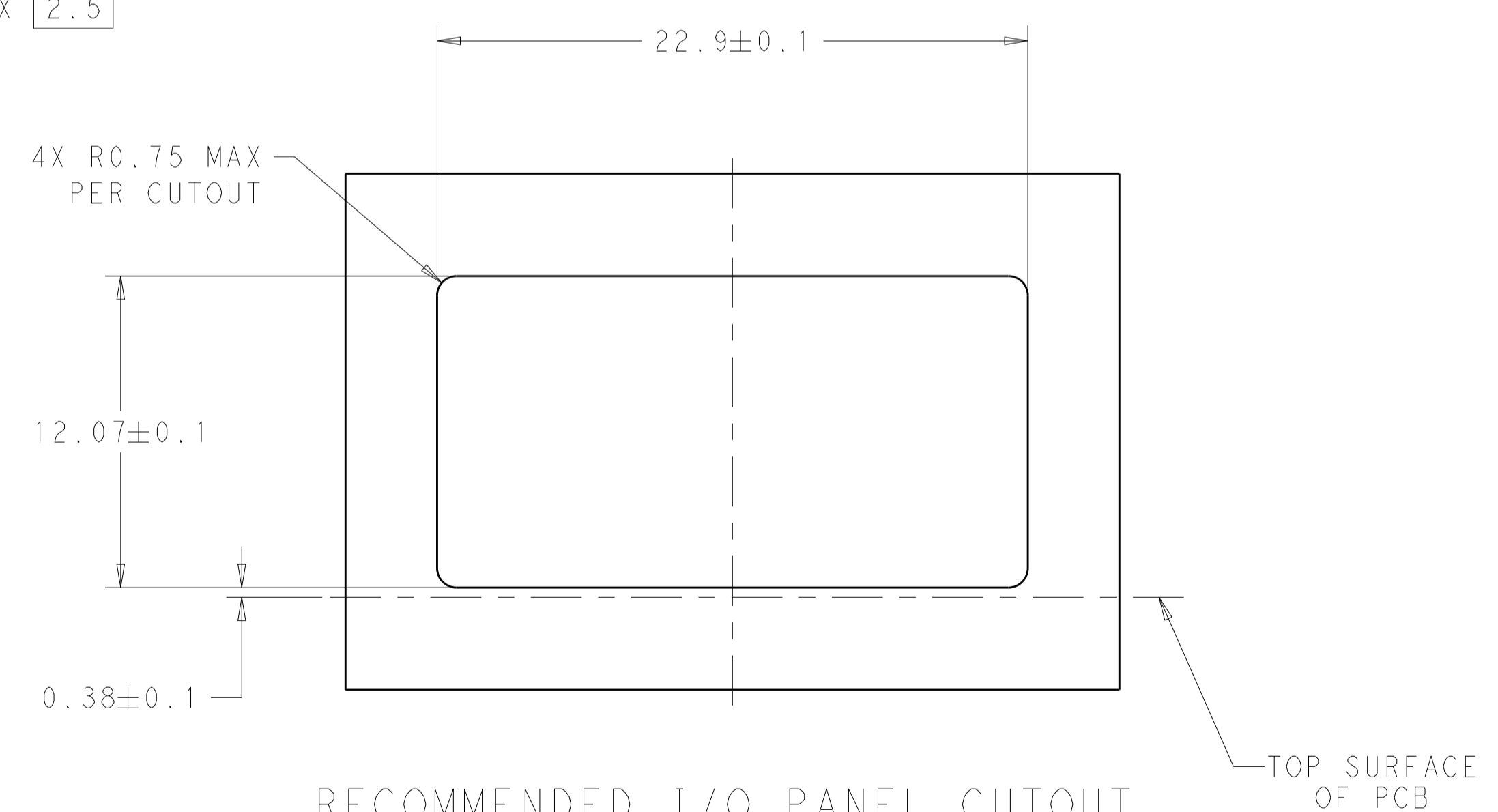
THIS DRAWING IS A CONTROLLED DOCUMENT.

DIMENSIONS:	TOLERANCES UNLESS OTHERWISE SPECIFIED:	DWN P. KERLIN 20SEP2010	NAME
mm	0 PLC ±	CHK J. SECHRIST 20SEP2010	RECEPTACLE ASSEMBLY, MINI-SAS HD, 2X
	1 PLC ±	APVD	SIZE CAGE CODE DRAWING NO RESTRICTED TO
	2 PLC ±	PRODUCT SPEC	A100779C=2149966
	3 PLC ±	108-2462	SCALE 8:1 SHEET 1 OF 2 REV C
	4 PLC ±	APPLICATION SPEC	
	ANGLES ±	114-13316	
MATERIAL	FINISH	WEIGHT	Customer Drawing

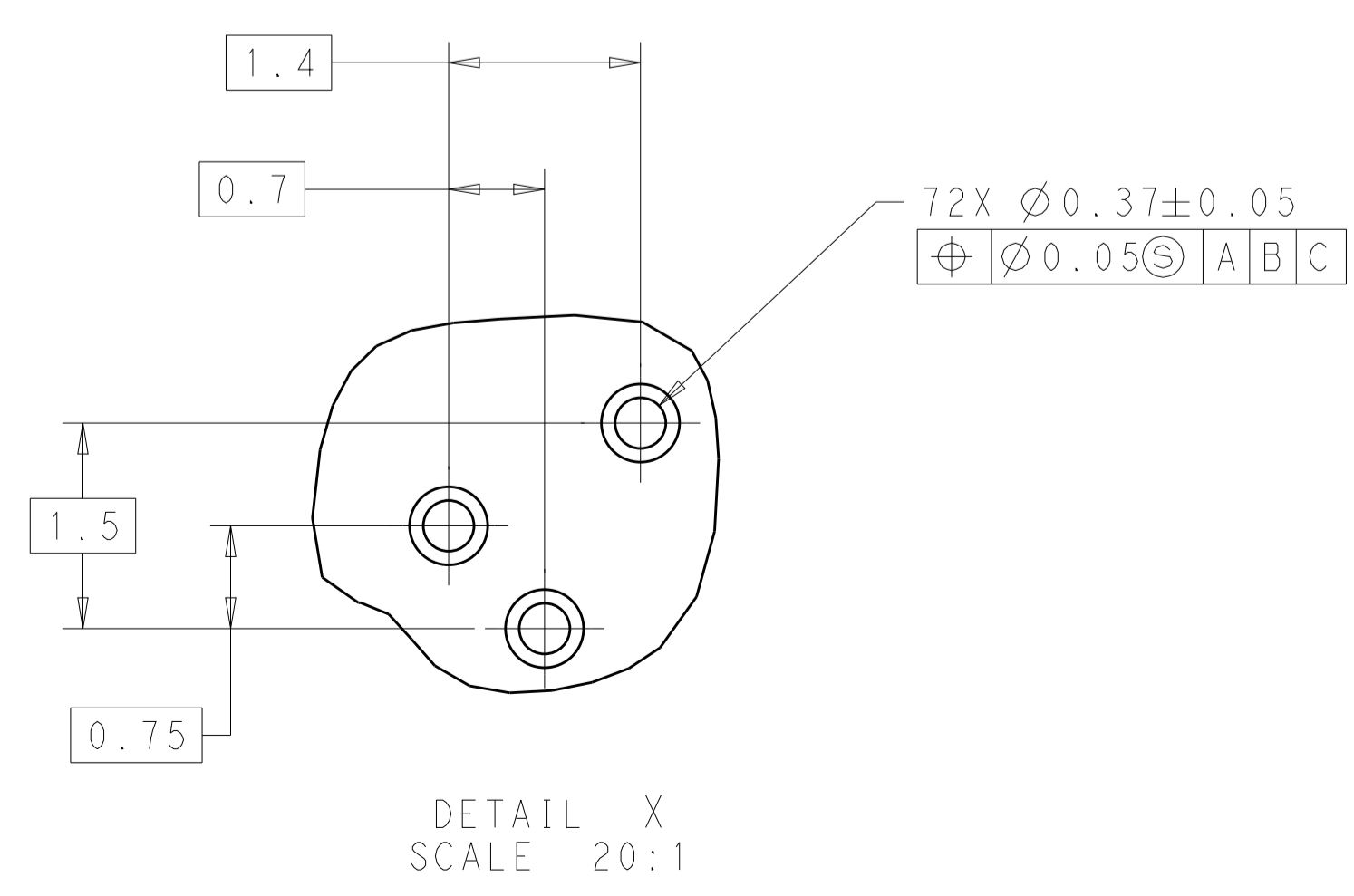
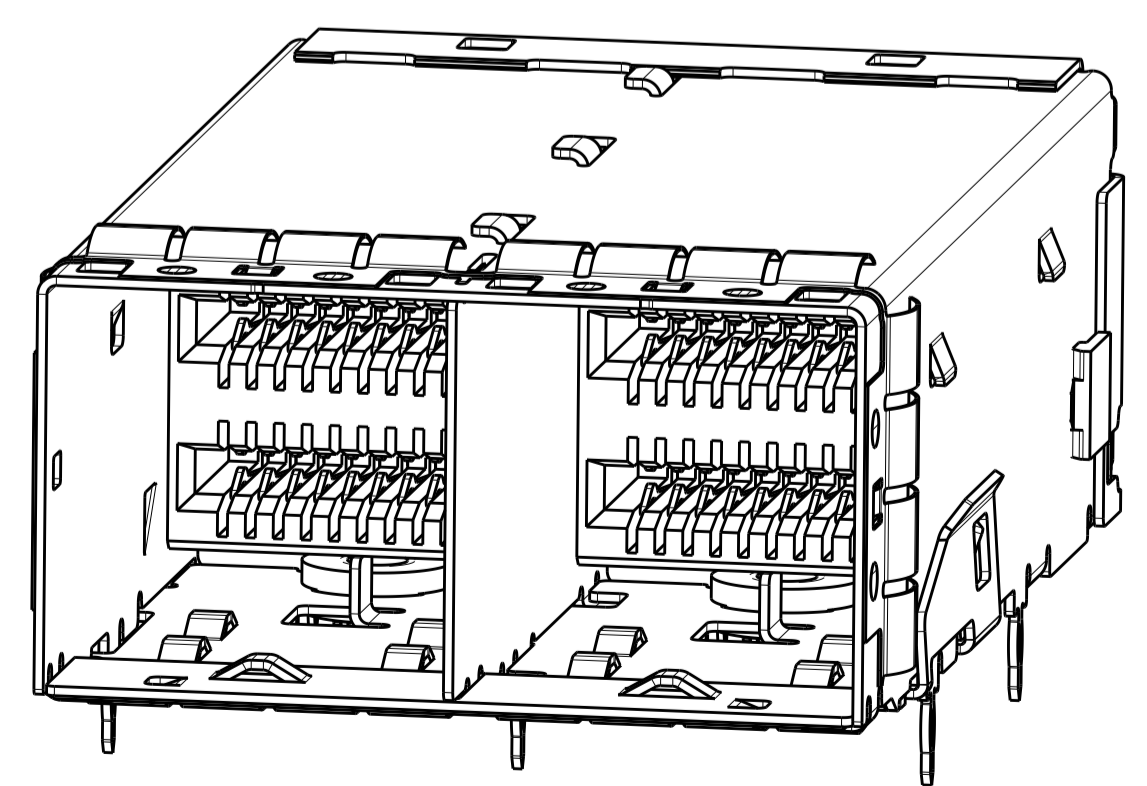
LOC	DIST	REVISIONS			
P	LTN	DESCRIPTION	DATE	OWN	APVD
-	-	SEE SHEET 1	-	-	-



PANEL/PCB ASSEMBLY
SCALE=5:1



RECOMMENDED I/O PANEL CUTOUT
SCALE=5:1



DETAIL X
SCALE 20:1

THIS DRAWING IS A CONTROLLED DOCUMENT.		OWN P. KERLIN 20SEP2010	TE Connectivity	
DIMENSIONS:		CHK J. SECHRIST	NAME RECEPTACLE ASSEMBLY, MINI-SAS HD, 2X	
TOLERANCES UNLESS OTHERWISE SPECIFIED:		APVD	PRODUCT SPEC	
mm			108-2462	
0 PLC ±			APPLICATION SPEC	
2 PLC ±			114-13316	
3 PLC ±			WEIGHT	
4 PLC ±			Customer Drawing	
ANGLES ±			SIZE CAGE CODE DRAWING NO	
FINISH			A100779C=2149966	
MATERIAL			RESTRICTED TO	
			SCALE 8:1 SHEET 2 OF 2 REV C	

Mouser Electronics

Authorized Distributor

Click to View Pricing, Inventory, Delivery & Lifecycle Information:

[TE Connectivity:](#)

[2149966-1](#)