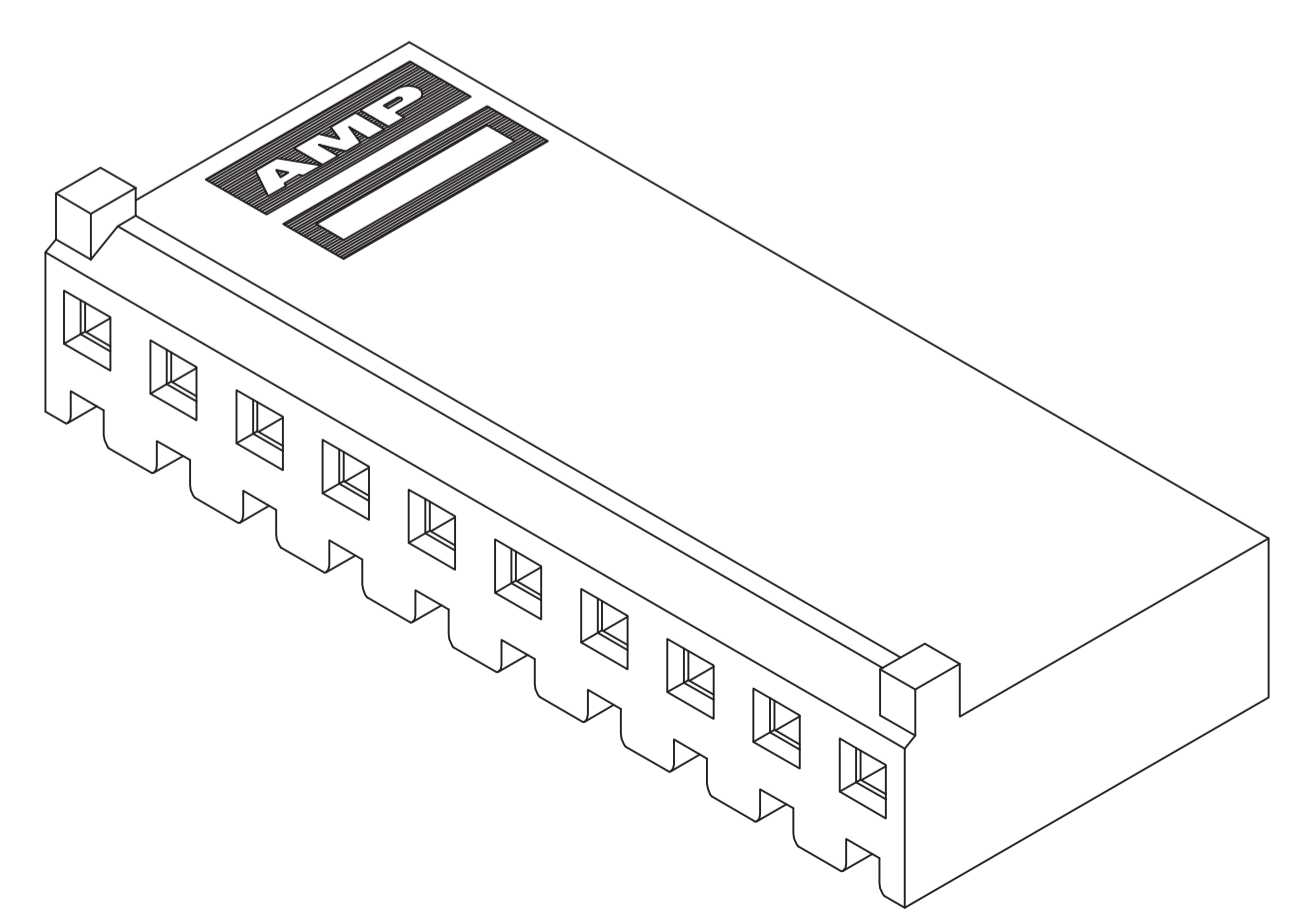
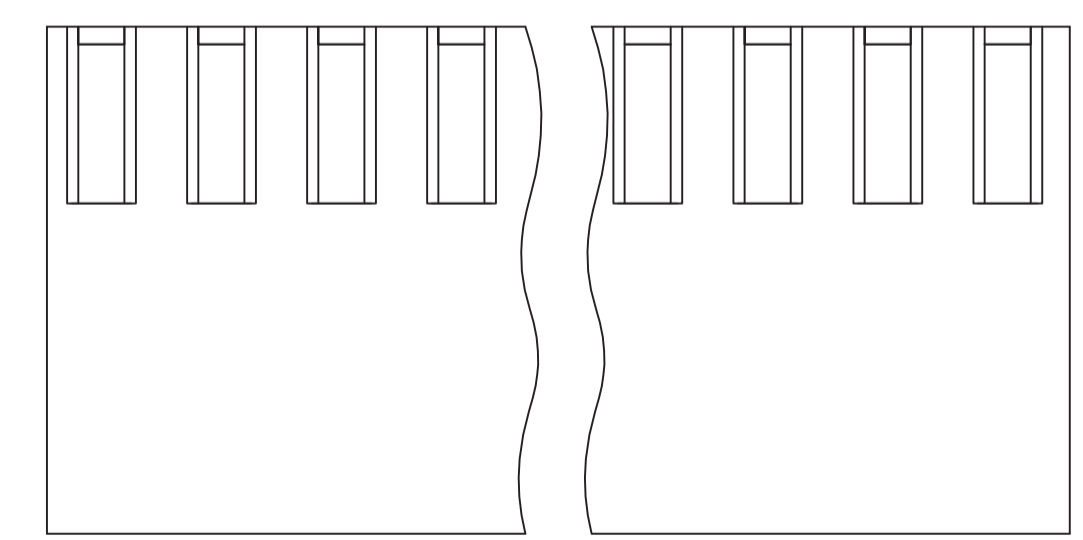
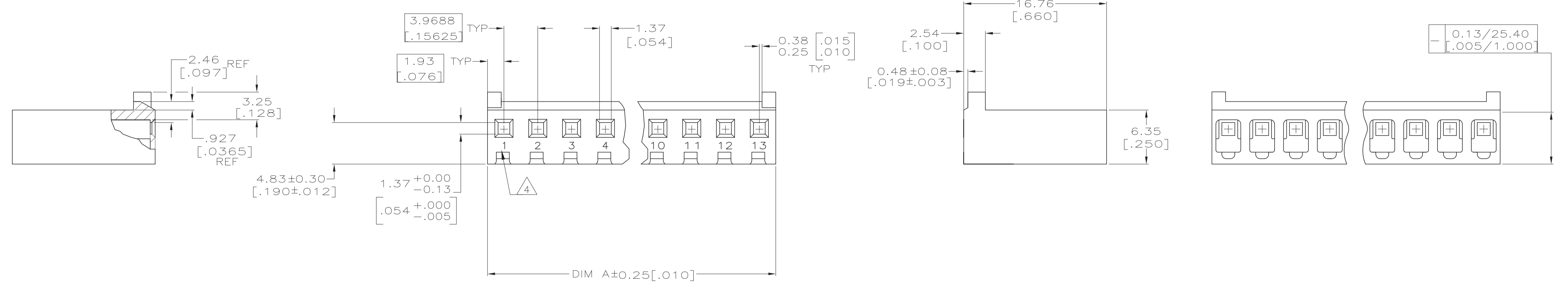
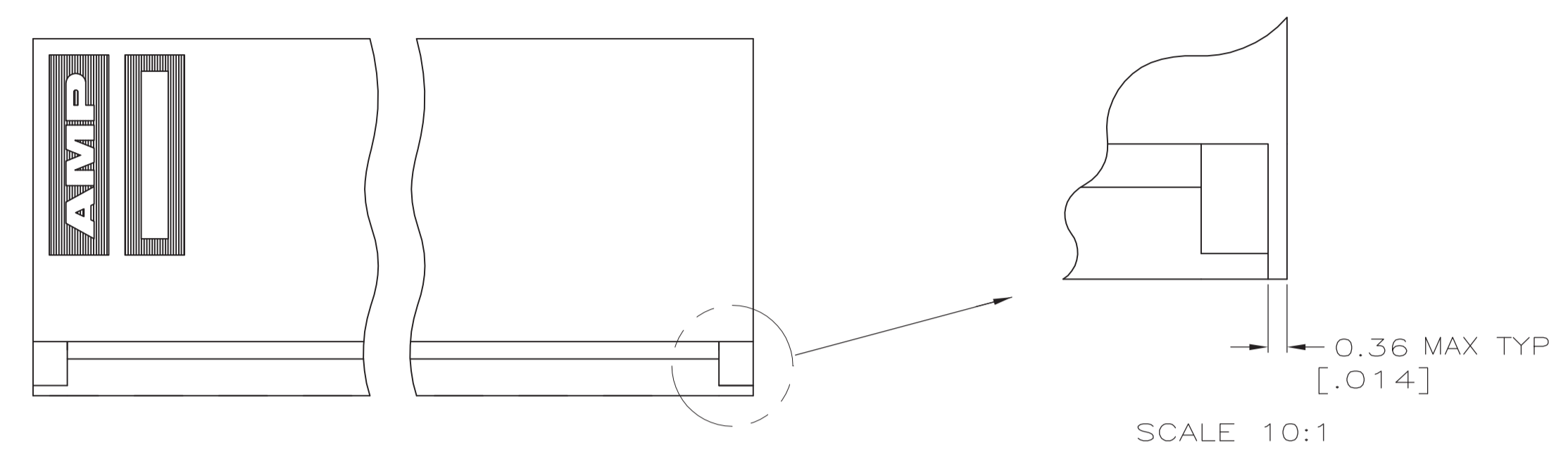


| LOC |     | DIST                      |         | REVISIONS |      |  |  |
|-----|-----|---------------------------|---------|-----------|------|--|--|
| P   | LTR | DESCRIPTION               | DATE    | DMN       | APVD |  |  |
| P1  |     | REVISED PER ECR-16-005059 | 12APR16 | AQ        | DZ   |  |  |

- UNIT ACCEPTS 1.14[.045] SQUARE OR ROUND POST.
- UNIT ACCEPTS STANDARD SL-156 CONTACTS.
- UNIT ACCEPTS KEYING PLUG 640254-1 AND KEYING PIN 640255-1.
- IDENTIFICATION NUMBER FOR ALL POSITIONS, OR FOR POSITION 1 ONLY, WILL BE LOCATED AS SHOWN.
- DIMENSIONS IN BRACKETS ARE IN INCHES.



1-770849-3 SHOWN

|              |    |             |
|--------------|----|-------------|
| 95.15[3.746] | 24 | 2-770849-4  |
| 91.19[3.590] | 23 | 2-770849-3  |
| 87.20[3.433] | 22 | 2-770849-2  |
| 83.24[3.277] | 21 | 2-770849-1  |
| 79.27[3.121] | 20 | 2-770849-0  |
| 75.31[2.965] | 19 | 1-770849-9  |
| 71.30[2.807] | 18 | 1-770849-8  |
| 67.34[2.651] | 17 | 1-770849-7  |
| 63.40[2.496] | 16 | 1-770849-6  |
| 59.44[2.340] | 15 | 1-770849-5  |
| 55.45[2.183] | 14 | 1-770849-4  |
| 51.49[2.027] | 13 | 1-770849-3  |
| 47.52[1.871] | 12 | 1-770849-2  |
| 43.56[1.715] | 11 | 1-770849-1  |
| 39.57[1.558] | 10 | 1-770849-0  |
| 35.61[1.402] | 9  | 770849-9    |
| 31.65[1.246] | 8  | 770849-8    |
| 27.69[1.090] | 7  | 770849-7    |
| 23.70[.933]  | 6  | 770849-6    |
| 19.74[.777]  | 5  | 770849-5    |
| 15.77[.621]  | 4  | 770849-4    |
| 11.81[.465]  | 3  | 770849-3    |
| 7.82[.308]   | 2  | 770849-2    |
| DIM A        |    | NO OF POSN  |
|              |    | PART NUMBER |

|  |  |                                 |  |   |  |
|--|--|---------------------------------|--|---|--|
| THIS DRAWING IS A CONTROLLED DOCUMENT. |  | DIN K SALMON 5-22-91            |  | STE TE Connectivity                                   |  |
| DIMENSIONS: INCHES                     |  | CHK R SWING 5-22-91             |  | NAME  |  |
| TOLERANCES UNLESS OTHERWISE SPECIFIED: |  | APVD D WORTHINGTON 5-22-91      |  | HOUSING WITH LOCKING RAMP AND POLARIZING TABS, SL-156 |  |
| 0 PLC ± -                              |  | PRODUCT SPEC                    |  | SIZE  |  |
| 1 PLC ± -                              |  | APPLICATION SPEC                |  | CAGE CODE   |  |
| 2 PLC ± -                              |  | MATERIAL NYLON,UL 94V-0 NATURAL |  | DRAWING NO  |  |
| 3 PLC ± 0.13 [.005]                    |  | FINISH -                        |  | 770849  |  |
| 4 PLC ± -                              |  | WEIGHT -                        |  | RESTRICTED TO   |  |
| ANGLES ± -                             |  | CUSTOMER DRAWING                |  | SCALE 4:1 SHEET 1 OF 1 REV P1                         |  |

# Mouser Electronics

Authorized Distributor

Click to View Pricing, Inventory, Delivery & Lifecycle Information:

[TE Connectivity:](#)

[770849-6](#)