
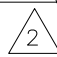


LOC J	DIST	REVISIONS					
		P	LTR	DESCRIPTION	DATE	DWN	APVD
			F1	REVISED PER ECR-15-018167	14JAN2016	IT	W.H

OBSOLETE	塩ビケース詰 1.25 F-P コネクタ (基板対基板接続用) 2列仕様 ポスト ヘッダー アッセンブリ サーフェイスマウント タイプ 基板位置決め用ボス付 壁補強型 TUBE PACKAGING 1.25 F-P CONNECTOR (B-TO-B) DOUBLE ROW POST HDR ASS'Y SMT TYPE WITH BOSS -IMPROVED TYPE		30	20	9-	-0	9-	-0
		720999-4	26	25	8-	-6	8-	-6
		2-912050-0	16	40	4- 	-6	4- 	-6
			30	20	3-	-0	3-	-0
			24	25	2-	-4	2- 2-	-4
OBSOLETE		1-912050-7	22	30	2-176140-2	2-176314-2		
名称 NAME	塩ビケース 型番 TUBE P/N	極数 Pos.	数量 (ケ) QTY'S	コネクタ型番 (バラ状) CONN P/N (L/P)	塩ビケース詰 コネクタ型番 IN TUBE P/N			

注記

1. 包装規格 : 107-5123-2

NOTES

1. PACKAGING SPEC : 107-5123-2



OBSOLETE PARTS: OBSOLETE CIS STREAMLINING PER D.RENAUD/D.SINISI



OBSOLETE


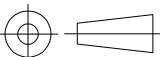
RELEASED FOR PUBLICATION

ALL RIGHTS RESERVED.

By -

© COPYRIGHT

THIS DRAWING IS UNPUBLISHED.

DIMENSIONS: mm	DWN S.KANEKI	26JAN89	MATERIAL	FINISH		
	CHK J.TANIGAWA	27JAN89	 TE Connectivity			
TOLERANCES UNLESS OTHERWISE SPECIFIED:	APVD N.ONOUE	27JUL89			NAME	TUBE PACKAGING 1.25 F-P CONNECTOR (B-TO-B) DOUBLE ROW POST HDR ASS'Y SMT TYPE WITH BOSS -IMPROVED TYPE
0 PLC ± 1 PLC ± 2 PLC ± 3 PLC ± 4 PLC ± ANGLES ±	PRODUCT SPEC	APPLICATION SPEC	SIZE	CAGE CODE	DRAWING NO	RESTRICTED TO
10以下: ±0.2 10を越え 30以下: ±0.25 30を越え100以下: ±0.3 角度: ±3'	WEIGHT	CUSTOMER DRAWING	A4	00779	C-176314	-
	SCALE		SHEET	1 OF 1	REV	F1

Mouser Electronics

Authorized Distributor

Click to View Pricing, Inventory, Delivery & Lifecycle Information:

[TE Connectivity:](#)

[8-176314-6](#)