

4

3

2

1

THIS DRAWING IS UNPUBLISHED.

RELEASED FOR PUBLICATION

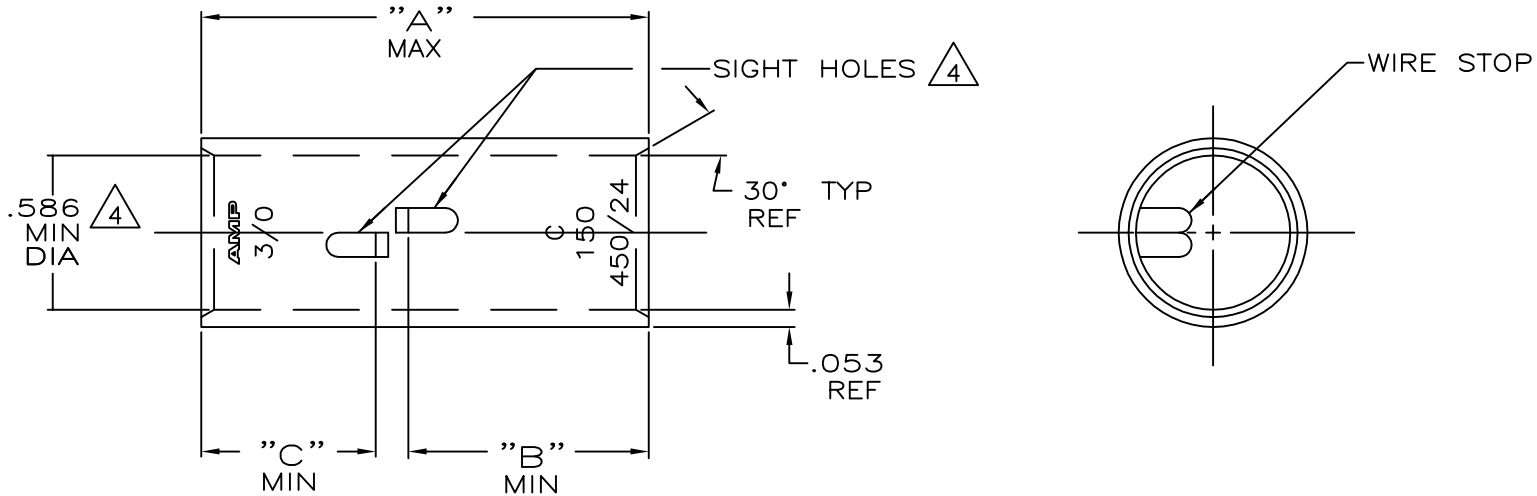
ALL RIGHTS RESERVED.

© COPYRIGHT - By -

LOC G DIST 86

REVISIONS

P	LTR	DESCRIPTION	DATE	DWN	APVD
	R	ECR-13-000998	9FEB2013	PK	HS



- ① TIN PL .000150 MIN THK MIL-T-10727
- ② PART NO: 324460; .052 LB.
PART NO: 1-324460-0; .052 LB.
PART NO: 1-324460-3; .061 LB.
- ③ PRELIMINARY - NOT FOR PRODUCTION
- ④ .045 MAX BURR ALLOWED INSIDE THE WIRE BARREL ID IN AREA OF SIGHT HOLE.

.66	.91	1.77	△	150,500-	COPPER	△ 1-324460-3
.66	.66	1.52	CLEANED	190,000	ASTM-B-75	1-324460-0
"C"	"B"	"A"	△	CM	ANNEALED	324460
			FINISH	WIRE RANGE	MATERIAL	PART No

THIS DRAWING IS A CONTROLLED DOCUMENT.

DIMENSIONS: INCHES	TOLERANCES UNLESS OTHERWISE SPECIFIED: 0 PLC ± - 1 PLC ± - 2 PLC ± - 3 PLC ± - 4 PLC ± - ANGLES ± -	DWN DK SCHRUM 4/24/89 CHK MS FEHER 4/24/89 APVD WJ VOCKROTH 11/8/89	TE Connectivity		
MATERIAL SEE TABLE	FINISH SEE TABLE	PRODUCT SPEC APPLICATION SPEC WEIGHT △	NAME SPLICE, BUTT, AMPPOWER WIRE SIZE: 3/0 AWG		
CUSTOMER DRAWING		SIZE A3	CAGE CODE 00779	DRAWING NO C=324460	RESTRICTED TO -
SCALE 2:1			SHEET 1 OF 1	REV R	

Mouser Electronics

Authorized Distributor

Click to View Pricing, Inventory, Delivery & Lifecycle Information:

[TE Connectivity:](#)

[324460](#)