

MICRO SWITCH
a Honeywell Division

FED. MFG. CODE 91929

SWITCH — ENCLOSED

CATALOG LISTING
21EN570-R1

CATALOG LISTING
21EN570-R1

ISSUE **M**
3
PAGE 1 OF 1

REPLACES
RELEASE NO. PR-23369

CHECK
REVISIONS
A C093092
D L T
4 JUN 98

CHECK

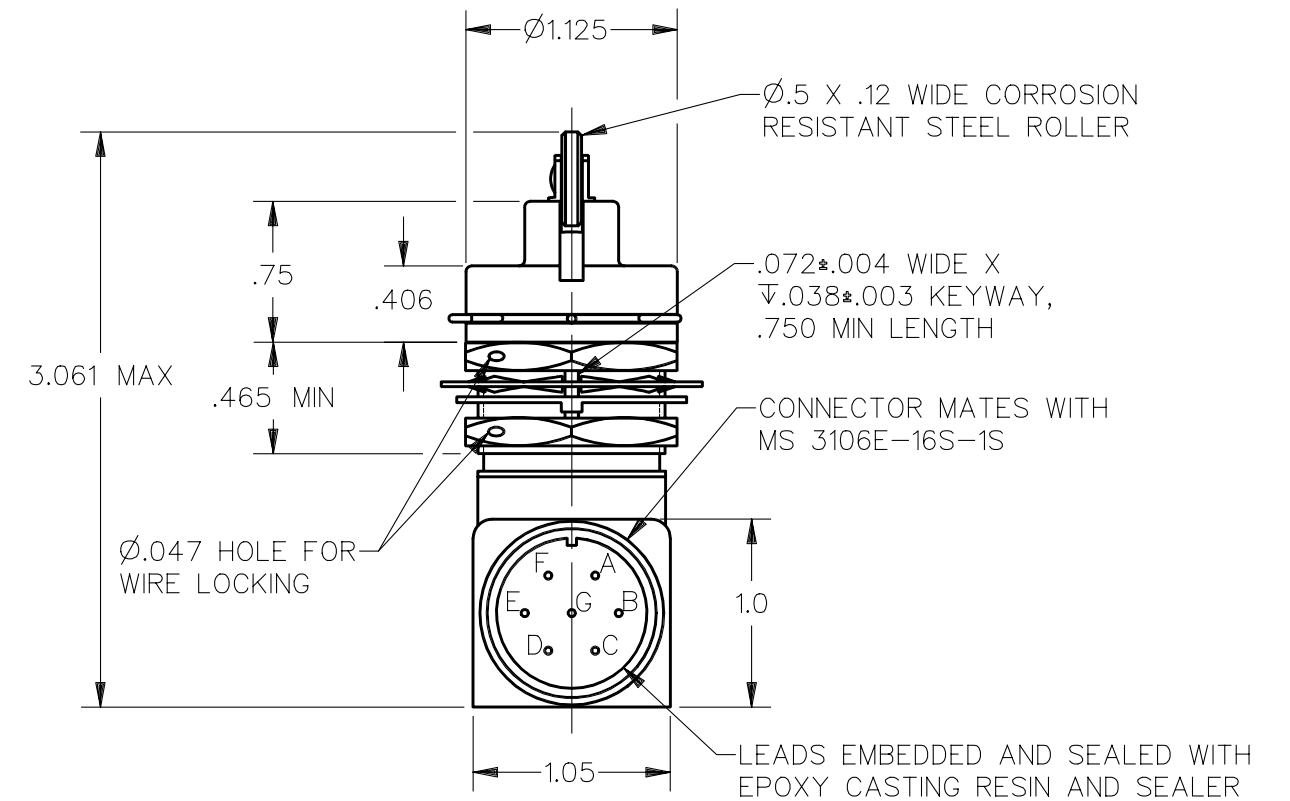
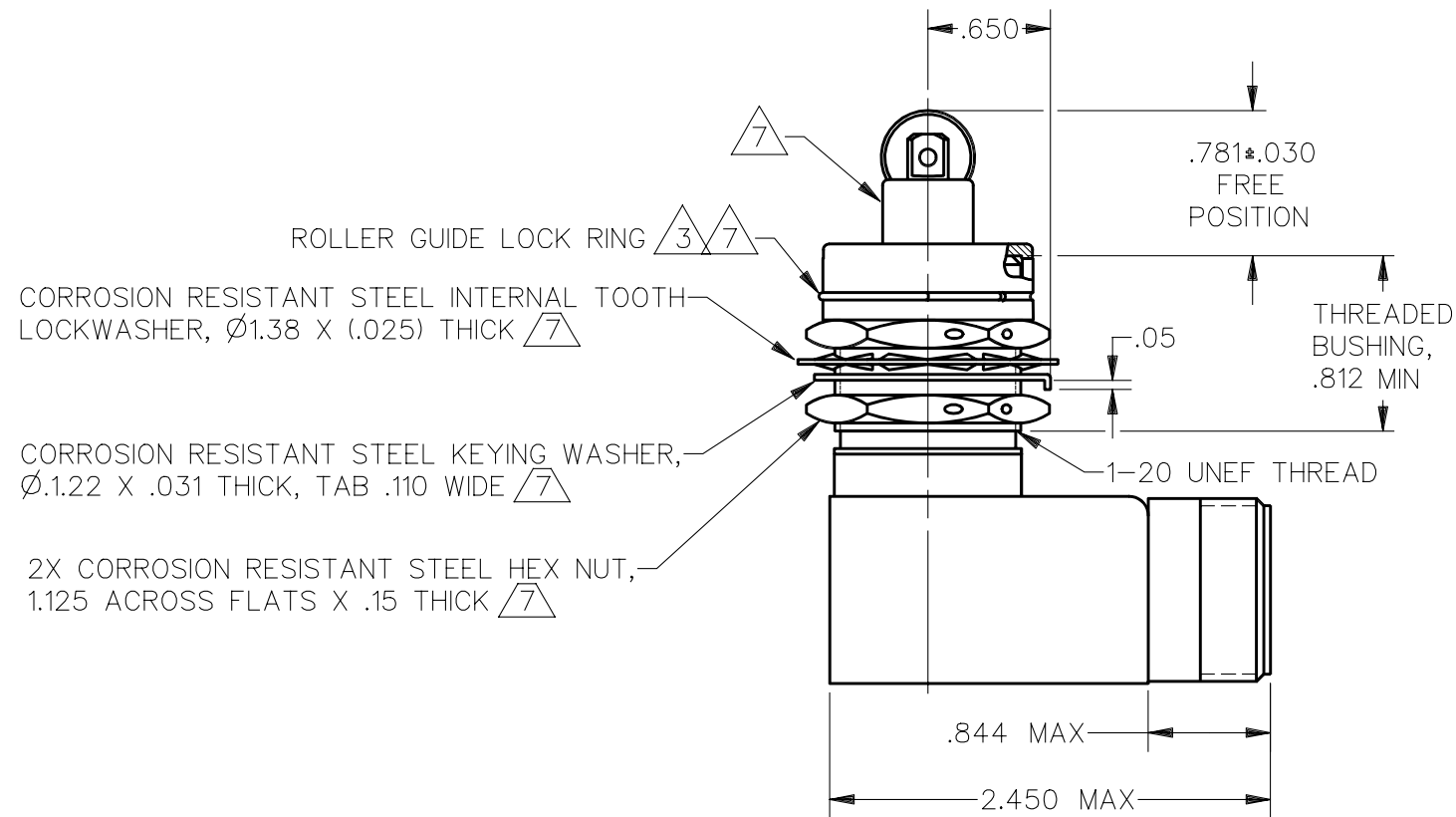
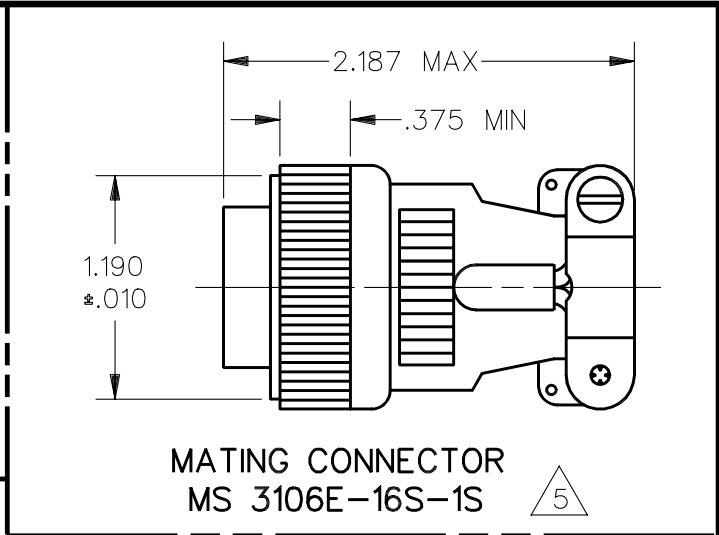
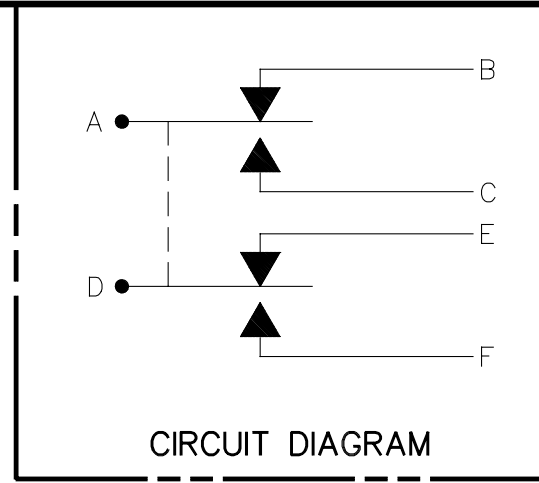
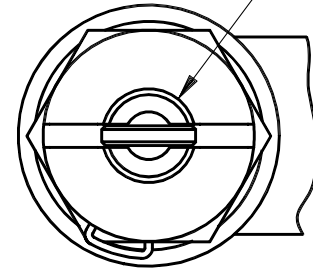
CHECK
3 MAR 98

CHECK
J A

CHECK
2 MAR 98

DRAWN
J A K

ROLLER GUIDE MAY BE LOCKED IN INCREMENTS OF 45° AZIMUTH. ROLLER GUIDE MAY BE UNSCREWED AND REMOVED FROM BUSHING TO FACILITATE INSTALLATION. $\triangle 3$

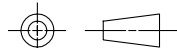


NOTES

- 1 - ENCLOSURE FINISHED WITH GREEN EPOXY BASED ENAMEL COLOR NO. 34151 PER FEDERAL STANDARD 595
- 2 - SWITCH SEALED PER MIL-S-8805 SYMBOL 4
- $\triangle 3$ TO ADJUST ROLLER DIRECTION REMOVE ROLLER GUIDE LOCK RING, SCREW ROLLER GUIDE DOWN AS FAR AS POSSIBLE, THEN UNSCREW TO DESIRED DIRECTION. SECURE BY REPLACING ROLLER GUIDE LOCK RING
- 4 - CIRCUIT DIAGRAM AND CATALOG LISTING ARE SHOWN ON NAMEPLATE
- $\triangle 5$ FURNISHED UNASSEMBLED WITH EACH UNIT
- 6 - COINCIDENCE OF OPERATING AND RELEASING POINTS: .010 OF PLUNGER TRAVEL
- $\triangle 7$ HARDWARE MAY BE PACKAGED UNASSEMBLED PER MIL-S-8805
- $\triangle 8$ BASIC SWITCHES HAVE GOLD CONTACTS

THIS DRAWING COVERS A PROPRIETARY ITEM AND IS THE PROPERTY OF MICRO SWITCH. A DIVISION OF HONEYWELL. THIS DRAWING IS NOT TO BE COPIED OR USED WITHOUT THE APPROVAL OF MICRO SWITCH

THIRD ANGLE PROJECTION



CHARACTERISTICS

OPERATING FORCE — — — — 6 - 12 LB
FULL OVERTRAVEL FORCE — — — — 30 LB MAX
RELEASE FORCE — — — — 4 LB MIN
PRETRAVEL — — — — .040 MAX
DIFFERENTIAL TRAVEL — — — .020 MAX
OVERTRAVEL — — — — .250 MIN

ELECTRICAL DATA

CONTACT ARRANGEMENT 2X S P D T	
LOAD	28 VDC $\triangle 8$
	SEA LEVEL 50,000 FT
RES	1 AMP 1 AMP
IND	0.5 AMP 0.5 AMP

SCALE FULL

DO NOT SCALE PRINT

UNLESS OTHERWISE SPECIFIED TOLERANCES ARE

ONE PLACE (.0) ±.030
TWO PLACE (.00) ±.015
THREE PLACE (.000) ±.005
ANGLES ±

WEIGHT 8 OZ MAX

ANSI Y14.5M-1982 APPLIES

Mouser Electronics

Authorized Distributor

Click to View Pricing, Inventory, Delivery & Lifecycle Information:

[Honeywell:](#)

[21EN570-R1](#)