

PRODUCT NUMBER  
98401-XXX-XXLF

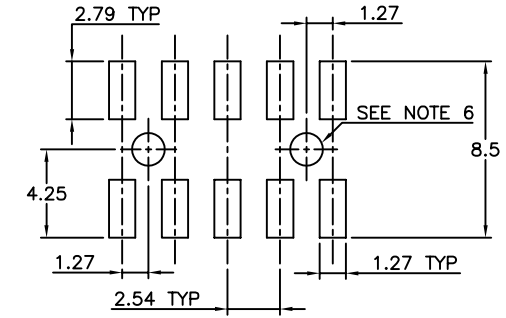
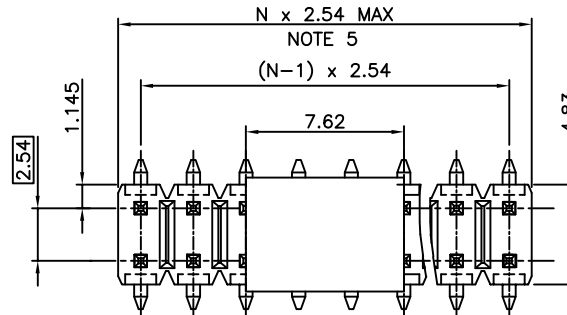
- RoHS COMPATIBLE, SEE NOTE 7
- TOTAL NB OF POSITIONS, 6 TO 54
- PACKAGING TYPE, NOTE 3

PLATING

- 1= 0.76µm GOLD/GXT ON CONTACT AREA, 2µm TIN MIN ON TAILS
- 4= 2.0µm TIN MIN FULL PLATED
- 5= 0.25µm GOLD/GXT ON CONTACT AREA, 2µm TIN MIN ON TAILS
- 8= 0.38µm GOLD/GXT ON CONTACT AREA, 2µm TIN MIN ON TAILS

1.27µm NICKEL MIN UNDERLAYER FOR ALL PLATING VERSIONS

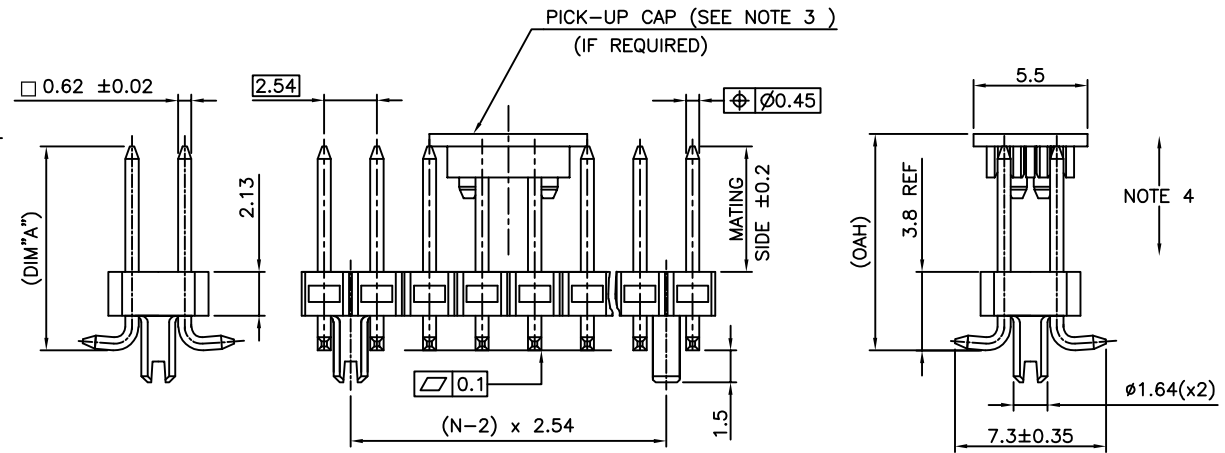
PIN STYLE	MATING	DIM"A"	OAH
01	5.84	9.6	10.2
02	8.08	11.8	12.4
03	13.00	16.8	17.4
06	10.50	14.3	14.9
07	14.50	18.3	18.9
08	7.30	11.1	11.7
09	3.50	7.3	7.9



RECOMMENDED PAD LAYOUT

NOTES:

1. HOUSING MAT'L : HIGH TEMPERATURE THERMOPLASTIC. UL94V-0 COLOR: BLACK
2. PIN MATERIAL : PHOSPHOR BRONZE
3. PACKAGING :
  - = POLY BAGS
  - A = TAPE & REEL WITH PICK UP CAP, AS AVAILABLE
  - AV = TAPE & REEL WITH PICK UP CAP FOR CUSTOMER DEDICATED PART
  - TV = TUBE WITHOUT PICK UP CAP FOR CUSTOMER DEDICATED PART
  - K = TAPE & REEL WITHOUT PICK-UP CAP, AS AVAILABLE.



4. 9N MIN RETENTION IN EITHER DIRECTION
5. TO DETERMINE DIMENSIONS :  
N = NUMBER OF POSITIONS PER ROW  
EXAMPLE : 8 POS N x 2.54 = 20.32mm
6. HOLE DIMENSION TO BE  $\phi 1.6 \pm 0.03$  FOR INTERFERENCE FIT APPLICATIONS.  
HOLE DIMENSIONS TO BE  $\phi 1.95 \pm 0.05$  FOR LOCATION APPLICATION WITH AUTOMATIC PICK AND PLACE MACHINES.
7. RoHS COMPATIBLE PRODUCT SPECIFICATIONS

- a - PLATING:
  - "LF" MEANS THE PRODUCT IS LEAD-FREE, 2µm MINIMUM MATTE TIN OVER 1.27µm MINIMUM NICKEL UNDERPLATE.
- b - MANUFACTURING PROCESS COMPATIBILITY
  - THE HOUSING WILL WITHSTAND EXPOSURE TO 260°C PEAK TEMPERATURE FOR 30 SECONDES IN A CONVECTION, INFRA-RED OR VAPOR PHASE REFLOW OVEN.
- c - LABELING:
  - MEETS PACKAGING SPECS AS PER GS-14-920
- d - LEGAL STATEMENT: SEE GS-47-0004

mat'l. code SEE NOTES		surface ISO 1302	tolerance ISO 406 ISO 1101	projection mm	product family BERGSTIK	
ltr	ecn no	dr	date	tolerances unless otherwise specified	title	
Y	F-25055	JDA	16.09.28	angles	UNSHR.HEADER DR SMT	
AA	F-28475	LMU	17.05.16	linear		
AB	F-31168	DDE	18.09.05	x.xx ±0.3 x.xx ±0.13 x.xxx ±0.05	scale 5:1	
V	F-23055	AMA	16.01.15	dr	D.LE	01.01.24
W	F-23416	JJU	02.03.16	enfr	JM.C	01.01.24
X	F-24422	AMA	16.06.30	chr	JM.C	01.01.24
				appd	JF.N	01.01.24
sheet index	revision sheet					



# Mouser Electronics

Authorized Distributor

Click to View Pricing, Inventory, Delivery & Lifecycle Information:

[FCI / Amphenol:](#)

[98401-101A10LF](#) [98401402A26L](#) [98401-109A08LF](#) [98401-109A10LF](#)