

THIS DRAWING IS UNPUBLISHED.

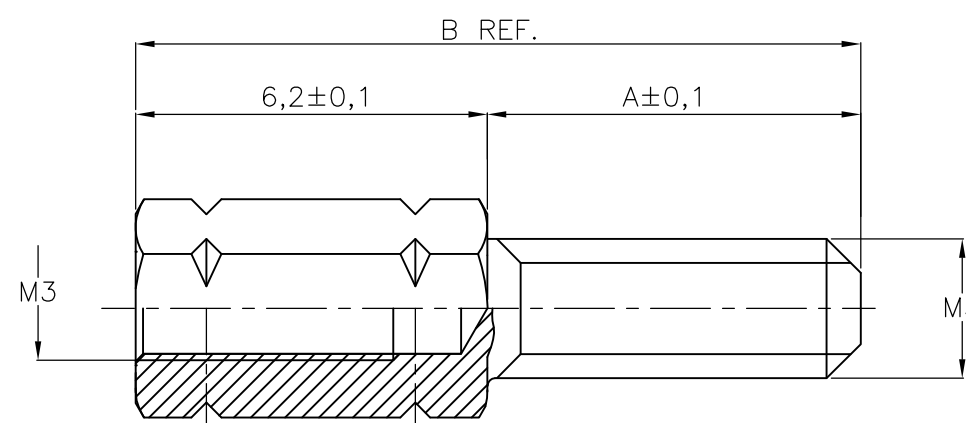
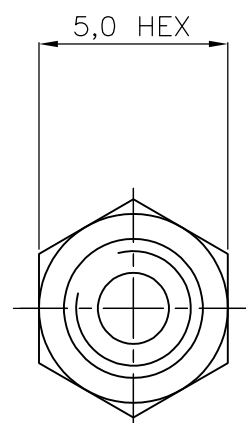
RELEASED FOR PUBLICATION

REVISIONS

© COPYRIGHT - By -

ALL RIGHTS RESERVED.

| P | LTR | DESCRIPTION | DATE | DWN | APVD |
|---|-----|---------------------------|-------------|-----|------|
| | E | REVISED PER ECO-16-011204 | 29 AUG 2016 | AP | DG |



| | | | | | | |
|----------|---|---------|---------|-----------|----------|--------------|
| OBSOLETE | - | 8,0 | 14,2 | UNPLATED | ARCAP | 4-829068-3 |
| | - | 8,0 | 14,2 | TINPLATED | BRASS | 4-829068-1 |
| OBSOLETE | - | 3,0 | 9,2 | UNPLATED | ARCAP | 3-829068-3 |
| | - | 3,0 | 9,2 | TINPLATED | BRASS | 3-829068-1 |
| OBSOLETE | - | 11,0 | 17,2 | UNPLATED | ARCAP | 2-829068-3 |
| | - | 11,0 | 17,2 | TINPLATED | BRASS | 2-829068-1 |
| OBSOLETE | - | 9,7 | 15,9 | UNPLATED | ARCAP | 1-829068-3 |
| OBSOLETE | - | 9,7 | 15,9 | TINPLATED | BRASS | 1-829068-1 |
| OBSOLETE | - | 5,0 | 11,2 | UNPLATED | ARCAP | 829068-3 |
| | - | 5,0 | 11,2 | TINPLATED | BRASS | 829068-1 |
| | | DIM "A" | DIM "B" | FINISH | MATERIAL | ORDER NUMBER |

THIS DRAWING IS A CONTROLLED DOCUMENT.

DWN D.KESSLER 02APR91
 CHK C.V.TILBURG 23APR91
 APVD L.V.SOEST 25APR91



| DIMENSIONS: | TOLERANCES UNLESS OTHERWISE SPECIFIED: |
|-------------|--|
| mm | |
| | 0 PLC ± - |
| | 1 PLC ± 0,2 |
| | 2 PLC ± - |
| | 3 PLC ± - |
| | 4 PLC ± - |
| | ANGLES ± - |

PRODUCT SPEC -
 APPLICATION SPEC -
 WEIGHT 0.000000

NAME SCREWLOCK, FEMALE HD-SERIES
 SIZE A3 CAGE CODE 00779 DRAWING NO C-829068 RESTRICTED TO -

MATERIAL -

FINISH -

CUSTOMER DRAWING SCALE NTS SHEET 1 OF 1 REV E

Mouser Electronics

Authorized Distributor

Click to View Pricing, Inventory, Delivery & Lifecycle Information:

[TE Connectivity:](#)

[829068-1](#)