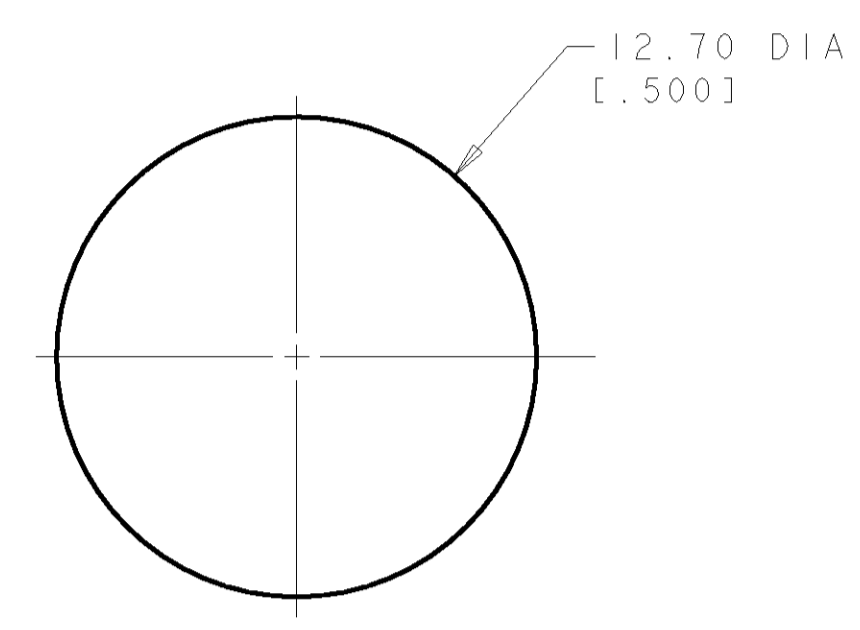
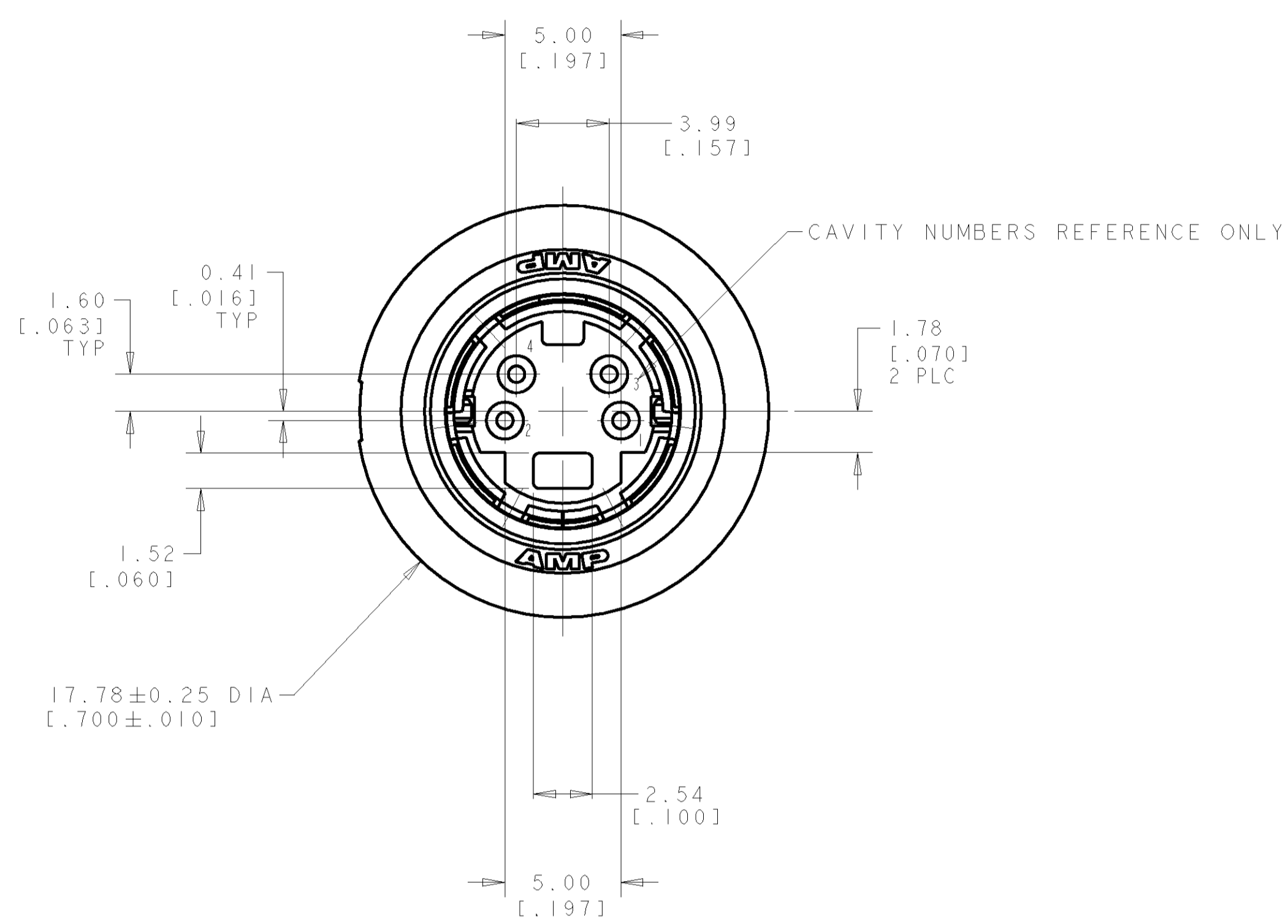
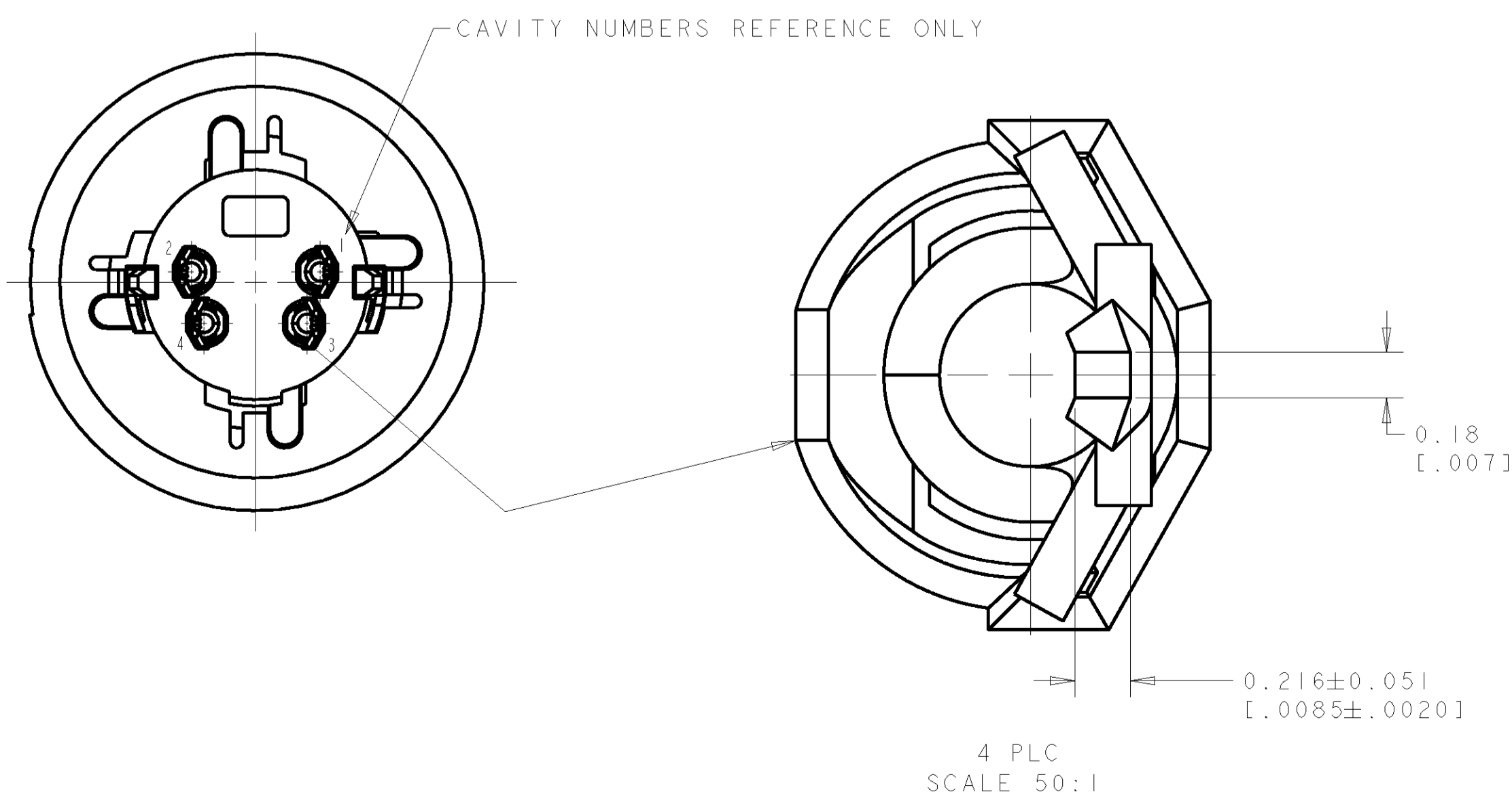
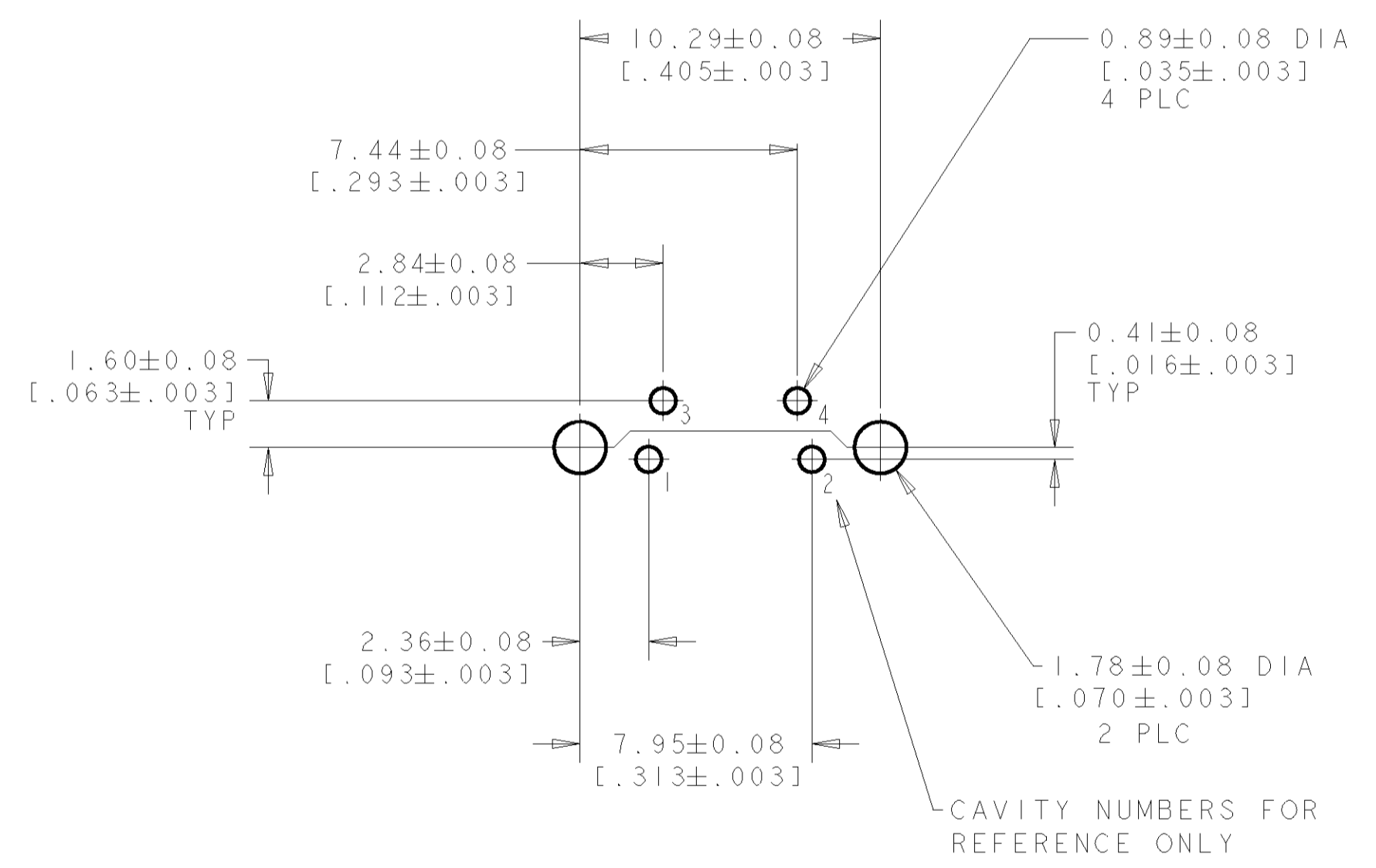
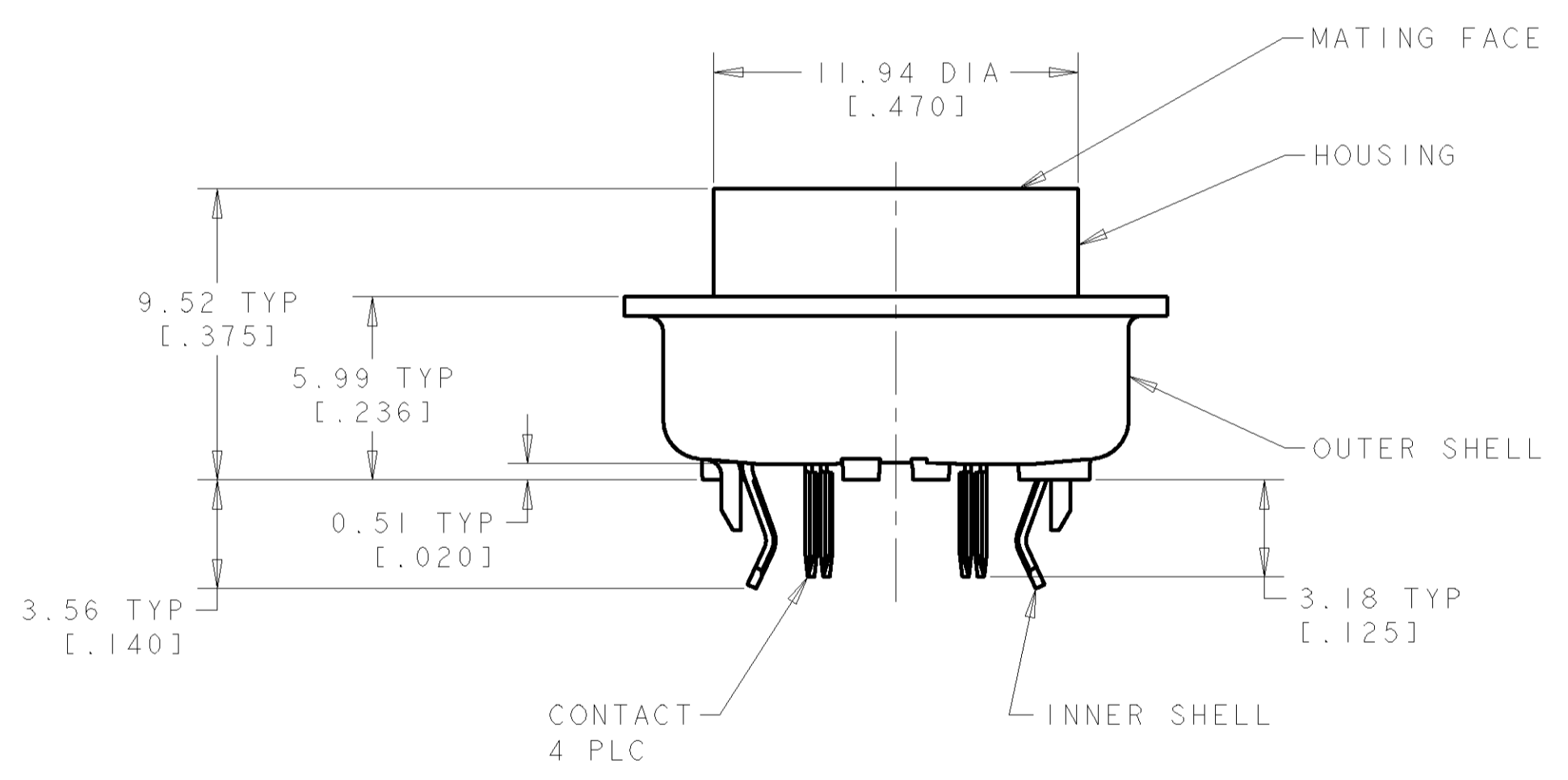


REVISONS		DATE	DNM	APRD		
LOC	DIST	F. LTR	DESCRIPTION	DATE	DNM	APRD
0			NPR FP00-0216-04	30AUG2004	LWY	LSF



- △ SHELLS: BRASS; CONTACTS: PHOSPHOR BRONZE; HOUSING: POLYESTER, UL 94V-0 RATED, BLACK.
- △ 0.76 μm [.000030] MIN GOLD ON MATING END FOR A LENGTH OF 1.37 [.054] MIN ON INSIDE, 2.54 μm [.000100] MIN TIN FOR A LENGTH OF 3.30 [.130] MIN FROM OPPOSITE END, ALL OVER 1.27 μm [.000050] MIN NICKEL.
- △ 0.38 μm [.000015] MIN GOLD ON MATING END FOR A LENGTH OF 1.37 [.054] MIN ON INSIDE, 2.54 μm [.000100] MIN TIN FOR A LENGTH OF 3.30 [.130] MIN FROM OPPOSITE END, ALL OVER 1.27 μm [.000050] MIN NICKEL.
- 4. RECEPTACLE ASSEMBLY MATES WITH 4 PIN, 8.99±0.10 [.354±.004] DIAMETER PLUG.



CONTACT FINISH	5750317-2
PART NO	5750317-1

<small>THIS DRAWING IS A CONTROLLED DOCUMENT FOR AMP INCORPORATED. ALL DIMENSIONS ARE IN MILLIMETERS UNLESS OTHERWISE SPECIFIED. ORGANIZATION SHOULD BE CONTACTED FOR THE LATEST REVISION.</small>		DWN: WYILE CBY: SF LEONG APD: SF LEONG	30AUG2004 Tyco Electronics Singapore Pte. Ltd.
DIMENSIONS: mm [INCHES]	TOLERANCES UNLESS OTHERWISE SPECIFIED: 0 PLC ± 1 PLC ±0.13 [.005] 2 PLC ± 3 PLC ± 4 PLC ± ANGLES ±	NAME: RECEPTACLE ASSEMBLY, 4 POSN, LOW FLANGE, SHIELDED, VERTICAL, MINIATURE CIRCULAR DIN PRODUCT SPEC APPLICATION SPEC	SIZE: A1 CAGE CODE: 00779 DRAWING NO: 5750317 SCALE: 5:1 SHEET: 1 OF 1 REV: 0
MATERIAL	FINISH	WEIGHT	CUSTOMER DRAWING

Mouser Electronics

Authorized Distributor

Click to View Pricing, Inventory, Delivery & Lifecycle Information:

[TE Connectivity:](#)

[5750317-2](#)