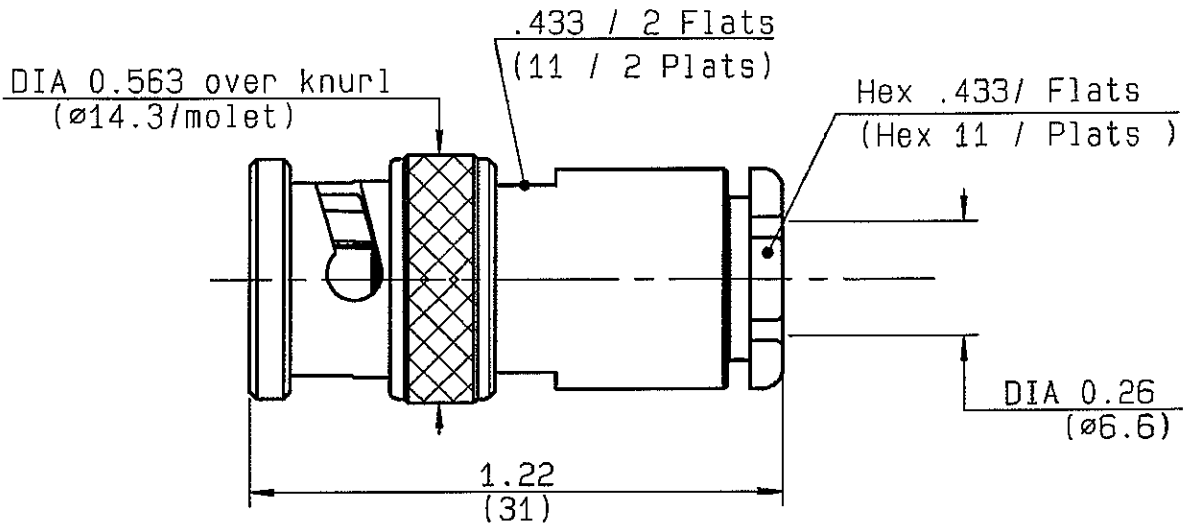


**STRAIGHT PLUG CLAMP TYPE
FOR ARMOUR TWIN AXIS DIA 6 CABLE**

R605.006.000
SERIES BR2



NOMINAL IMPEDANCE	80 Ω	CABLES : FM 2
FREQUENCY RANGE	0-0.5 GHz	
TEMPERATURE RATING	-40/+100 °C	
V.S.W.R	NA + x F(GHz)Maxi	
RF INSERTION LOSS	√F(GHz) dB Maxi	
VOLTAGE RATING	TBD Veff Maxi	
DIELECTRIC WITHSTANDING VOLTAGE	1500 Veff Mini	
INSULATION RESISTANCE	5000 MΩMini	OTHERS CHARACTERISTICS
HERMETIC SEAL	Atm.cm ³ /s	CABLE RETENTION 91 N Mini
LEAKAGE (pressurized only)		CENTER CONTACT RETENTION
MECHANICAL DURABILITY	Cycles	Axial force - mating end 27 N Mini
WEIGHT	gr	Axial force - opposite end 27 N Mini
SPECIFICATION		Torque cm.N Mini
		RECOMMENDED TORQUES
		Mating cm.N
		Panel nut cm.N
		Clamp nut 450 cm.N

CONNECTOR PARTS	MATERIALS	FINISH	(all values are given in micrometers)
BODY	BRASS	NICKEL 2	
OUTER CONTACT	BRASS	NICKEL 2	
CENTER CONTACT	BRASS	SILVER .	
INSULATOR	POLYAMIDES 11	-	
GASKET		-	
OTHERS PIECES			

ISSUE 0603C	CREATION DATE 20/11/1977	FILE PART-NUMBER
-----------------------	------------------------------------	------------------



GUERIN

The information given here is subject to change without notice.
Design changes may be in order to improve the product.

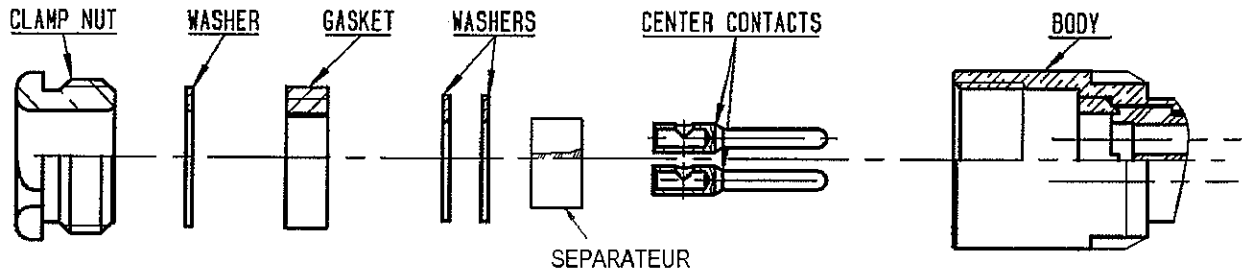
Connect to the future



R605.006.000

ISSUE 0603C

SERIES BR2



①

Strip the cable .

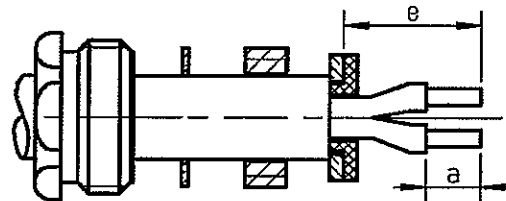
-



Stripping	a	b	c	d	e
Inch	0.157	0.394	0	0	0.354
mm	4	10			9

②

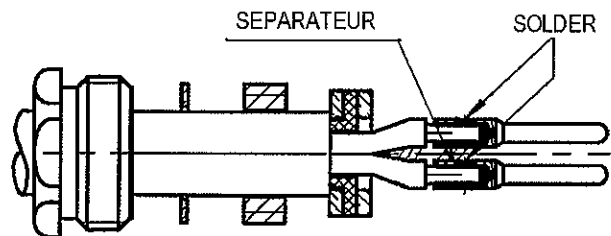
Slide the clamp nut, the washer and the gasket onto the cable .
 Slide a small washer onto the braid against the jacket.
 Fan the braid and cut excess flush to the washer.
 Strip the cable dielectric according to dimensions a and e.



③

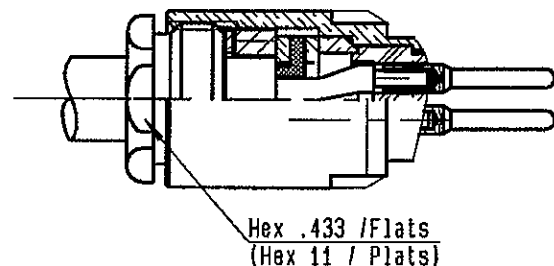
Slide the second small washer onto the cable and the separateur
 Solder center contacts onto cable inner conductors.

-



④

Slide the assembly into the connector body.
 Screw the assembly into the connector.
 (recommended coupling torque :450 N.cm)
 39.82 in.lb



Mouser Electronics

Authorized Distributor

Click to View Pricing, Inventory, Delivery & Lifecycle Information:

[Radial:](#)

[R605006000](#)