

**PLEASE CHECK WWW.MOLEX.COM FOR LATEST PART INFORMATION**

**Part Number:** [0003122035](#)  
**Status:** **Active**  
**Description:** 3.18mm Diameter, HCS125, Pin and Socket Plug Housing, Single Row, with Panel Mount Ears, 3 Circuits, Natural, Nylon 94V-2

**Documents:**

[3D Model](#) [Product Specification PSX-42179-001 \(PDF\)](#)  
[Drawing \(PDF\)](#) [RoHS Certificate of Compliance \(PDF\)](#)

**Agency Certification**

CSA LR19980  
 UL E29179

**General**

Product Family Crimp Housings  
 Series [42179](#)  
 Application Power, Wire-to-Wire  
 Product Name HCS-125  
 UPC 800754232739

**Physical**

Circuits (maximum) 3  
 Color - Resin Natural  
 Flammability 94V-2  
 Gender Plug  
 Glow-Wire Capable No  
 Lock to Mating Part Yes  
 Material - Resin Nylon  
 Net Weight 4.213/g  
 Number of Rows 1  
 Packaging Type Bag  
 Panel Mount Yes  
 Pitch - Mating Interface 8.38mm  
 Polarized to Mating Part Yes  
 Stackable No  
 Temperature Range - Operating -40° to +105°C

**Electrical**

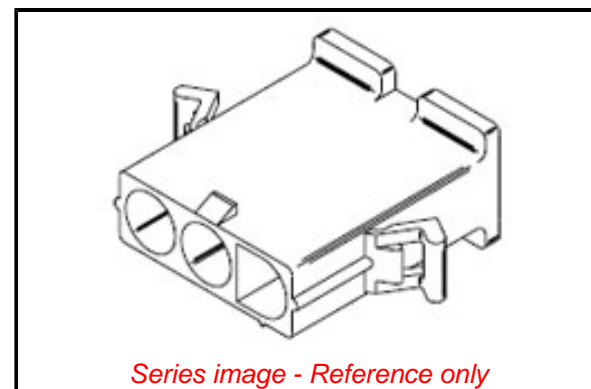
Current - Maximum per Contact 20.0A

**Material Info**

Engineering Number 4217903P

**Reference - Drawing Numbers**

Product Specification PSX-42179-001  
 Sales Drawing 421790000-SD-000



**EU ELV**

**Not Relevant**

**EU RoHS**

**Compliant**

**REACH SVHC**

Not Contained Per -  
 ED/61/2018 (27 June  
 2018)

**Halogen-Free**

**Status**

**Low-Halogen**

For more information, please visit [Contact US](#)

China ROHS

ELV

RoHS Phthalates

**China RoHS**

Green Image

Not Relevant

Not Contained

**Search Parts in this Series**

[42179 Series](#)

**Use With**

[1900 Male Crimp Terminals](#), [1901](#), [2046](#),  
[2047](#), [42546](#), [42547](#), [42554](#), [42555](#)

# Mouser Electronics

Authorized Distributor

Click to View Pricing, Inventory, Delivery & Lifecycle Information:

[Molex:](#)

[03-12-2035](#)