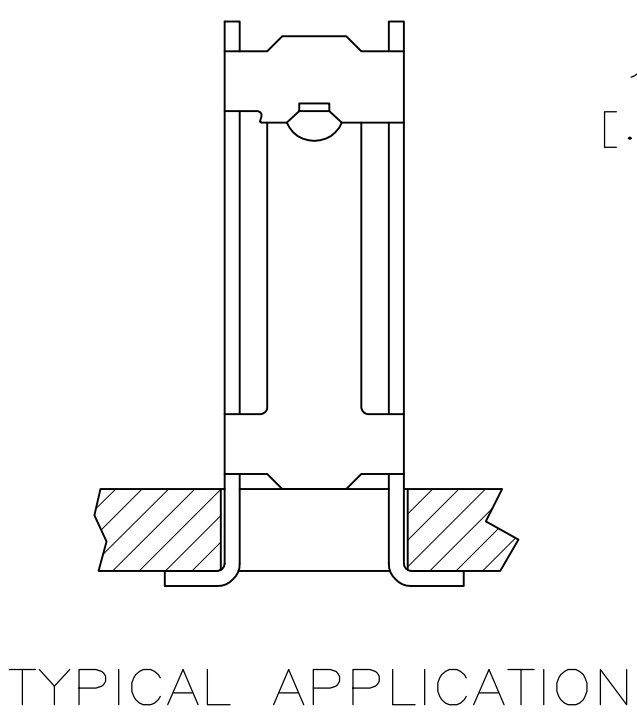
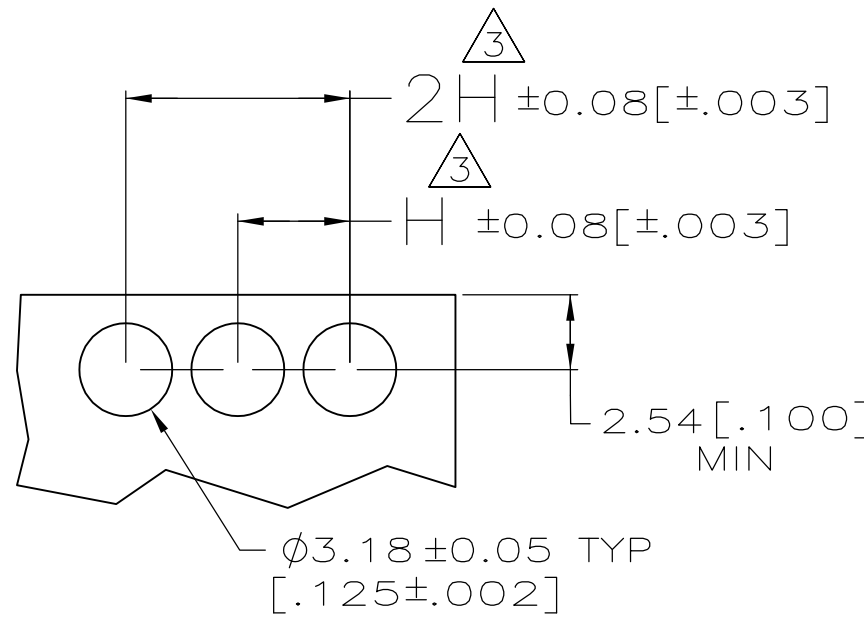
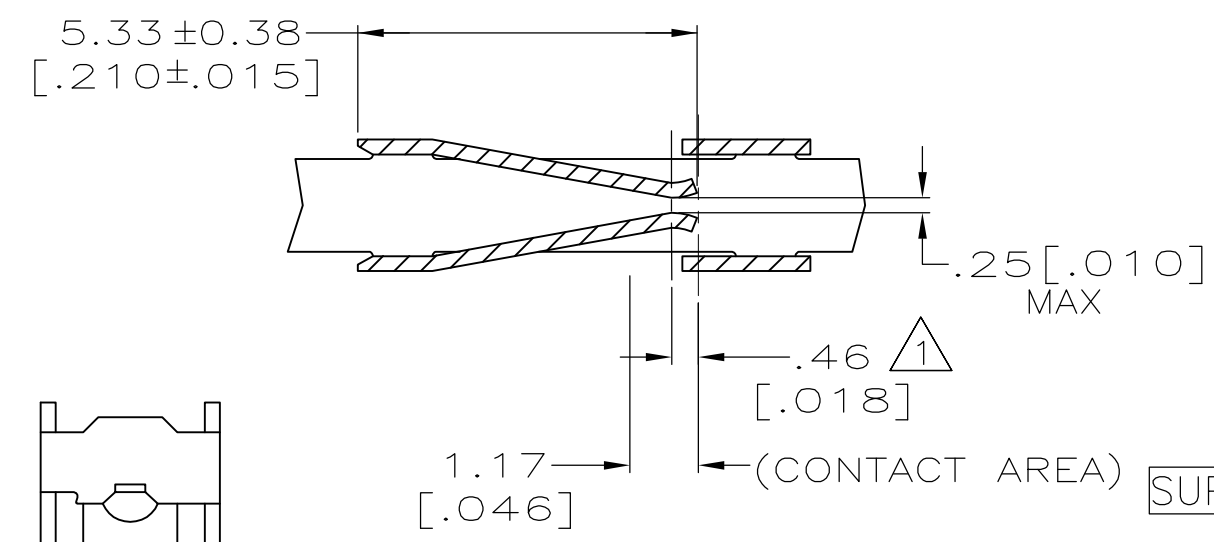
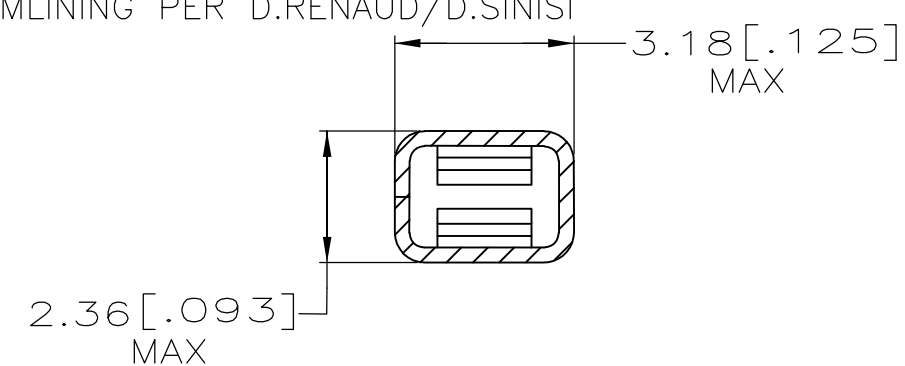
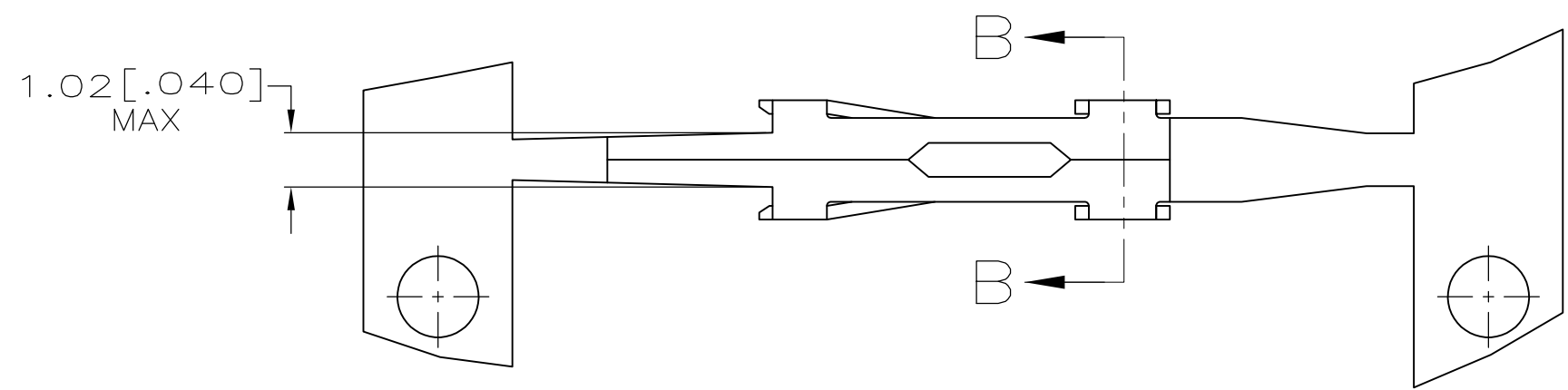
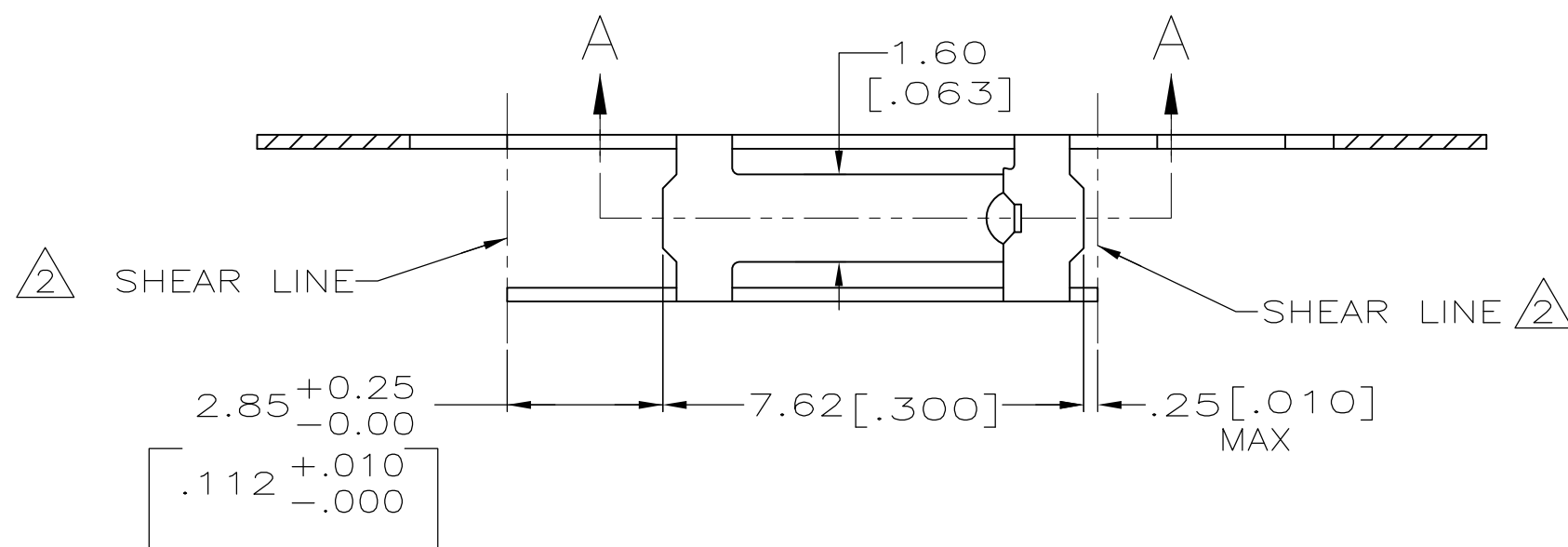
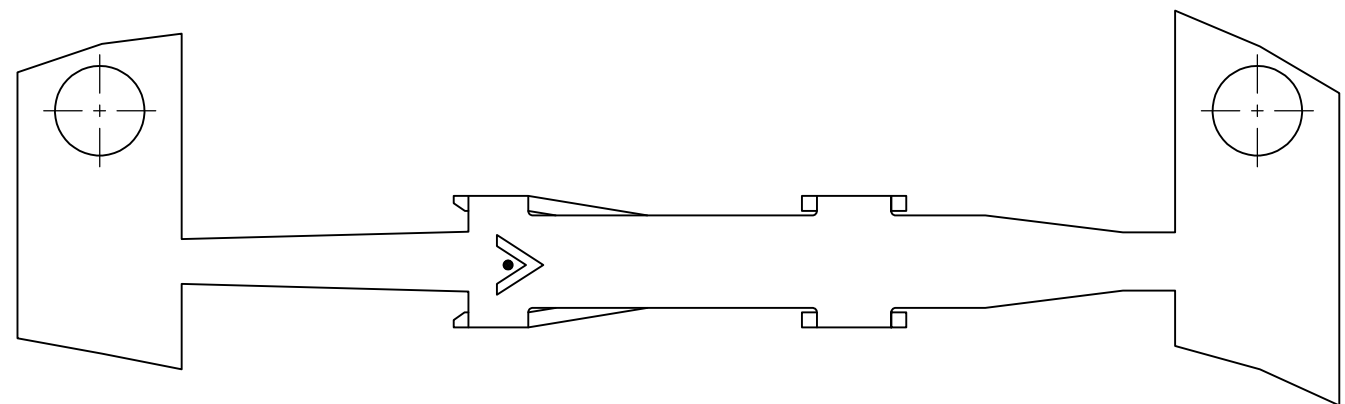


LOC	DIST	P	F	ZONE	LTR	DESCRIPTION	DATE	APPD
AD	39				F	REV PER 0010-1175-95	12-28-96	JH
					G	REV PER 0G21-0081-98	18JUL98	MC
					H	REV PER 0G3C-0062-00	11FEB00	MZ
					H1	REV PER ECO-09-021826	05JAN10	AEG



- 1 POINT OF MEASUREMENT FOR PLATING THICKNESS (INSIDE BEAMS).
- 2 SHEAR LINES DEFINE LOOSE PIECE PART.
- 3 "H" RECEPTACLE CENTERS MAY VARY DEPENDING ON REQUIREMENTS. MINIMUM NOMINAL CENTER SPACING BETWEEN ADJACENT RECEPTACLES IS 3.81±0.08[.150±.003].
- 4 GOLD FLASH OVER 0.00127[.000050] NICKEL ENTIRE TERMINAL, 0.00038[.000015] GOLD ON CONTACT AREA ONLY.
- 5 GOLD FLASH OVER 0.00127[.000050] NICKEL ENTIRE TERMINAL, 0.00076[.000030] GOLD ON CONTACT AREA ONLY.
- 6 0.00127[.000050] GOLD OVER 0.00127[.000050] NICKEL ENTIRE TERMINAL.
- 7 0.00076[.000030] GOLD OVER 0.00127[.000050] NICKEL ENTIRE TERMINAL.
- 8 0.00038[.000015] GOLD ON CONTACT AREA, 0.00254-0.00508[.000100-.000200] BRIGHT TIN-LEAD ON TERMINATION AREA, ALL OVER 0.00127[.000050] NICKEL ENTIRE TERMINAL.
- 9 0.00076[.000030] GOLD ON CONTACT AREA, 0.00254-0.00508[.000100-.000200] BRIGHT TIN-LEAD ON TERMINATION AREA, ALL OVER 0.00127[.000050] NICKEL ENTIRE TERMINAL.
- 10 0.00200 [.000079] MIN TIN.
- 11 OBSOLETE PARTS: OBSOLETE CIS STREAMLINING PER D.RENAUD/D.SINISI
- 12 OBSOLETE

	MINIATURE			
		-	10	1-86477-1
OBSOLETE	MINIATURE	86480-7	9	1-86477-0
OBSOLETE	MINIATURE	86480-6	8	86477-9
OBSOLETE	MINIATURE	86480-5	7	86477-8
		-	-	-
OBSOLETE	MINIATURE	86480-4	6	86477-6
		-	-	-
	MINIATURE	86480-3	10	86477-3
	MINIATURE	86480-2	5	86477-2
	MINIATURE	86480-1	4	86477-1
	REELED FOR APPLICATOR	LOOSE PIECE PART NO	FINISH	PART NUMBER

DO NOT SCALE PRINT. UNLESS SPECIFIED DIMENSIONS IN mm [INCHES] TOLERANCES ON : 2 PLC DEC ± - 3 PLC DEC ± 0.13[.005] ANGLES ± -		DR 12-28-96 E.BRANDBERG CHK 12-28-96 J. HERRINGTON APPD 12-28-96 J. HERRINGTON APPD 12-28-96 D. TROUT		AMP AMP Incorporated Harrisburg, PA 17105-3608	
MATERIAL PHOS BRONZE		PRODUCT SPEC -		NAME RECEPTACLE, MOD I STANDARD PRESSURE, TYPE A	
FINISH SEE TABLE		APPLICATION SPEC -		SIZE C	CAGE CODE 00779
WEIGHT -		SCALE 8:1		DRAWING NO C-86477	
				SHEET 1 OF 1	

THIS DRAWING IS A CONTROLLED DOCUMENT FOR AMP INCORPORATED. IT IS SUBJECT TO CHANGE AND THE CONTROLLING ENGINEERING ORGANIZATION SHOULD BE CONTACTED FOR THE LATEST REVISION.

Mouser Electronics

Authorized Distributor

Click to View Pricing, Inventory, Delivery & Lifecycle Information:

[TE Connectivity:](#)

[86477-3](#)