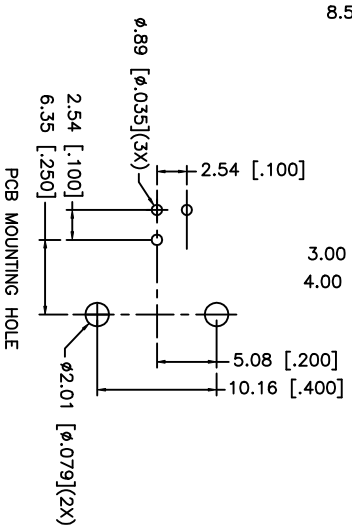
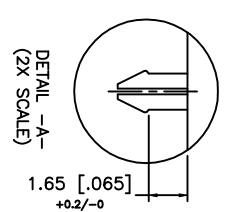
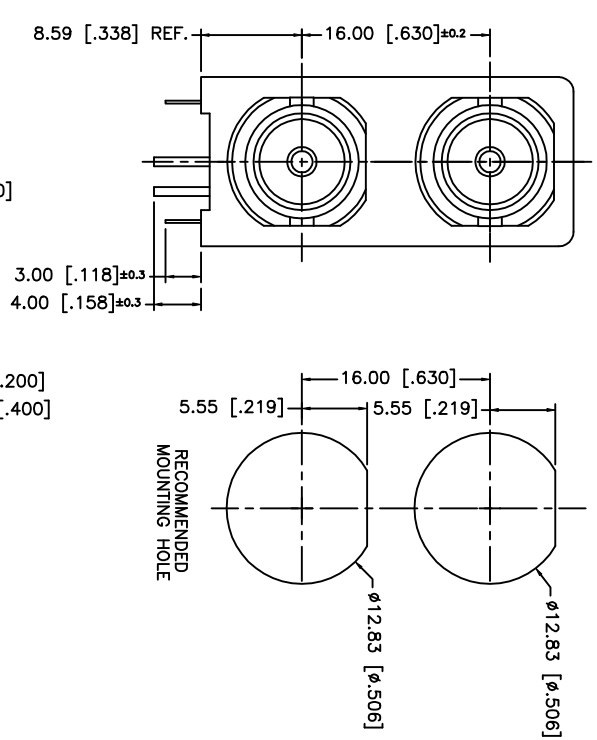
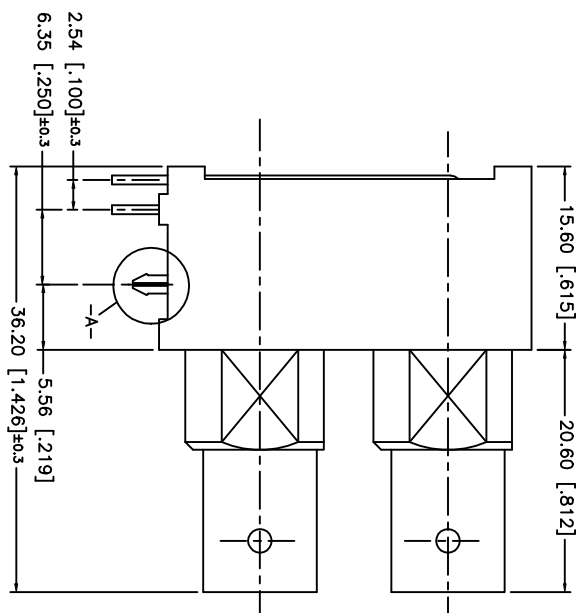
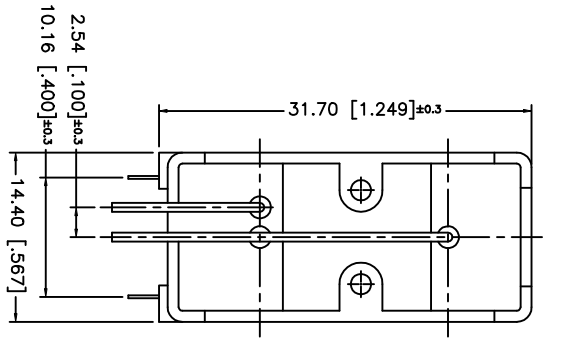


REV.	DATE	DESCRIPTION
NC	04/11/02	INITIAL RELEASE



8			
7			
6	MNTING POST	BRASS	BRT. TIN
5	POST	COPPER	BRT. TIN
4	CONTACT PIN	BER. COPPER	GOLD FLSH.
3	CONTACT PIN	BER. COPPER	GOLD FLSH.
2	INSULATOR	POLY PRO	NATURAL
1	BODY	ZINC DIE CAST	NICKEL
DESCRIPTION	MATERIAL	FINISH	

UNLESS OTHERWISE SPECIFIED  
DIMENSIONS ARE IN MILLIMETERS  
DIMENSIONS IN [ ]  
ARE IN INCHES FOR  
CUSTOMER REFERENCE ONLY

UNLESS OTHERWISE SPECIFIED  
TOLERANCES FOR INCHES ARE:  
.XXX = ± 0.005"  
.XX = ± 0.010"  
.X = ± 0.020"

DO NOT SCALE DRAWING

APPROVALS		DATE
DRAWN	G.R.S.	04/11/02
CHECKED		
ISSUED		

**Amphenol - Connex**  
CONNECTOR CORPORATION

DUAL PORT BNC PCB MOUNT  
RECEPTACLE HOOK - DIE CAST 50ohm

SIZE	FSQM NO.	DWG. NO.	REV.
A	99001	112706.DWG	NC
SCALE	PART NO.	SHEET	
NA	112706	1 OF 1	

# Mouser Electronics

Authorized Distributor

Click to View Pricing, Inventory, Delivery & Lifecycle Information:

[Amphenol:](#)

[112706](#)