

# Type T High Voltage Paper-Film/Foil Capacitors

## Paper-Film/Foil Capacitors for High Voltage Filter Applications



Type T capacitors are for high voltage filter applications as well as being used for filtering, bypass and blocking in radar amplifiers and power supplies. The Type T is constructed with a rugged inserted tab to foil connection to 10-32 screw terminals surrounded by thermoset plastic bushings for high voltage performance in an oval, hermetically sealed metal case that will give long operating life under harsh conditions.

### Highlights

- Hermetically sealed
- High Voltage to 5 kVdc
- High Temperature, 105 °C operation with derating

### Specifications

Capacitance Range	0.1µF to 15.0 µF
Capacitance Tolerance	±10%
Rated Voltage	600 Vdc to 5000 Vdc
Operating Temperature Range	-55 °C to 105 °C — Full rated voltage to 85 °C. Derate linearly to 50% rated voltage at max temp.
<a href="#">RoHS Compliant</a>	

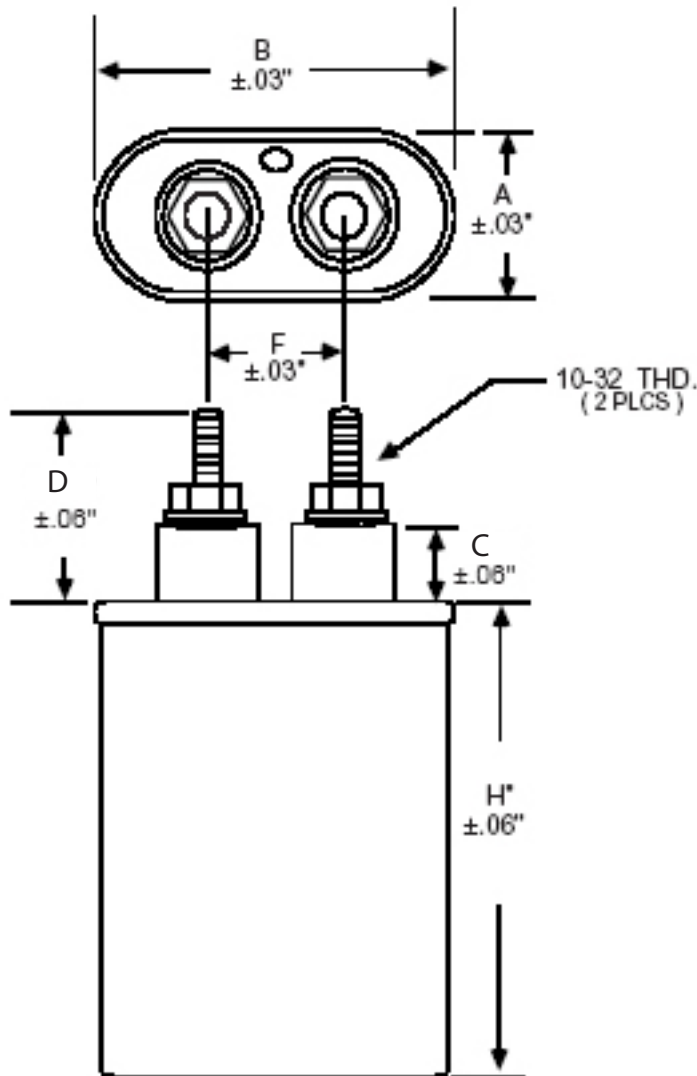
### Ratings

Cap (µF)	Catalog Part Number	Case Code	H (Inches)
<b>600 Vdc</b>			
0.5	T6P5NR-F	A	2.13
1.0	T6W1NR-F	A	2.13
2.0	T6W2NR-F	A	2.13
3.0	T6W3NR-F	A	2.38
4.0	T6W4NR-F	A	2.63
6.0	T6W6NR-F	A	3.88
8.0	T6W8NR-F	C	2.88
10.0	T6W10NR-F	C	3.13
15.0	T6W15NR-F	D	3.50
<b>1000 Vdc</b>			
0.10	T10P1NR-F	A	2.13
0.25	T10P25NR-F	A	2.13
0.50	T10P5NR-F	A	2.13
1.0	T10W1NR-F	A	2.13
2.0	T10W2NR-F	A	2.63
4.0	T10W4NR-F	A	4.25
6.0	T10W6NR-F	C	3.50
8.0	T10W8NR-F	D	3.50
10.0	T10W10NR-F	D	3.88
15.0	T10W15NR-F	D	5.25
<b>1500 Vdc</b>			
0.5	T15P5NR-F	A	2.13
1.0	T15W1NR-F	A	2.13
2.0	T15W2NR-F	A	3.13
4.0	T15W4NR-F	C	3.13
6.0	T15W6NR-F	D	3.88
8.0	T15W8NR-F	D	4.25

Cap (µF)	Catalog Part Number	Case Code	H (Inches)
<b>1500 Vdc</b>			
10.0	T15W10NR-F	D	4.75
12.0	T15W12NR-F	D	5.25
15.0	T15W15NR-F	D	6.25
<b>2000 Vdc</b>			
0.10	T20P1NR-F	A	2.13
0.25	T20P25NR-F	A	2.13
0.50	T20P5NR-F	A	2.13
1.0	T20W1NR-F	A	2.63
2.0	T20W2NR-F	C	2.88
4.0	T20W4NR-F	D	3.50
5.0	T20W5NR-F	D	4.25
8.0	T20W8NR-F	D	5.75
10.0	T20W10NR-F	D	6.75
15.0	T20W15NR-F	D	9.88
<b>2500 Vdc</b>			
1.0	T25W1NR-F	C	2.88
2.0	T25W2NR-F	C	3.13
4.0	T25W4NR-F	D	4.25
<b>3000 Vdc</b>			
.10	T30P1NR-F	A	2.13
.50	T30P5NR-F	A	3.13
1.0	T30W1NR-F	C	3.13
6.0	T30W6NR-F	D	8.00
<b>5000 Vdc</b>			
.50	T50P5NR-F	C	3.50
1.0	T50W1NR-F	D	4.25
2.0	T50W2NR-F	D	7.25

# Type T High Voltage Paper-Film/Foil Capacitors

## Outline Drawing



Case Code	Dimensions (Inches)				
	A	B	C	D	F
A	1.31	2.16	0.56	1.06	0.81
C	1.91	2.91	0.50	1.00	1.38
D	1.97	3.66	0.50	1.00	1.38

**Notice and Disclaimer:** All product drawings, descriptions, specifications, statements, information and data (collectively, the "Information") in this datasheet or other publication are subject to change. The customer is responsible for checking, confirming and verifying the extent to which the Information contained in this datasheet or other publication is applicable to an order at the time the order is placed. All Information given herein is believed to be accurate and reliable, but it is presented without any guarantee, warranty, representation or responsibility of any kind, expressed or implied. Statements of suitability for certain applications are based on the knowledge that the Cornell Dubilier company providing such statements ("Cornell Dubilier") has of operating conditions that such Cornell Dubilier company regards as typical for such applications, but are not intended to constitute any guarantee, warranty or representation regarding any such matter – and Cornell Dubilier specifically and expressly disclaims any guarantee, warranty or representation concerning the suitability for a specific customer application, use, storage, transportation, or operating environment. The Information is intended for use only by customers who have the requisite experience and capability to determine the correct products for their application. Any technical advice inferred from this Information or otherwise provided by Cornell Dubilier with reference to the use of any Cornell Dubilier products is given gratis (unless otherwise specified by Cornell Dubilier), and Cornell Dubilier assumes no obligation or liability for the advice given or results obtained. Although Cornell Dubilier strives to apply the most stringent quality and safety standards regarding the design and manufacturing of its products, in light of the current state of the art, isolated component failures may still occur. Accordingly, customer applications which require a high degree of reliability or safety should employ suitable designs or other safeguards (such as installation of protective circuitry or redundancies or other appropriate protective measures) in order to ensure that the failure of an electrical component does not result in a risk of personal injury or property damage. Although all product-related warnings, cautions and notes must be observed, the customer should not assume that all safety measures are indicated in such warnings, cautions and notes, or that other safety measures may not be required.