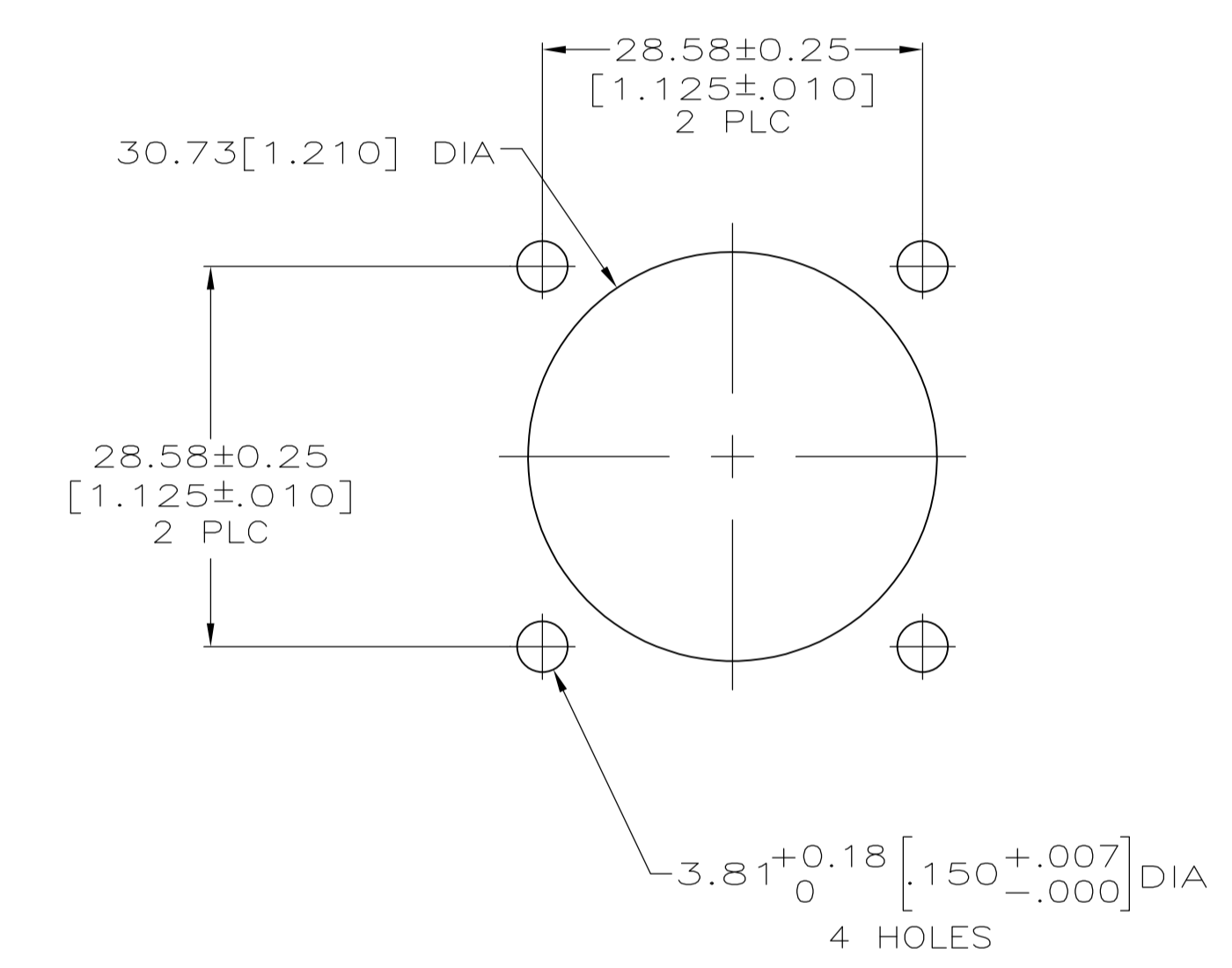
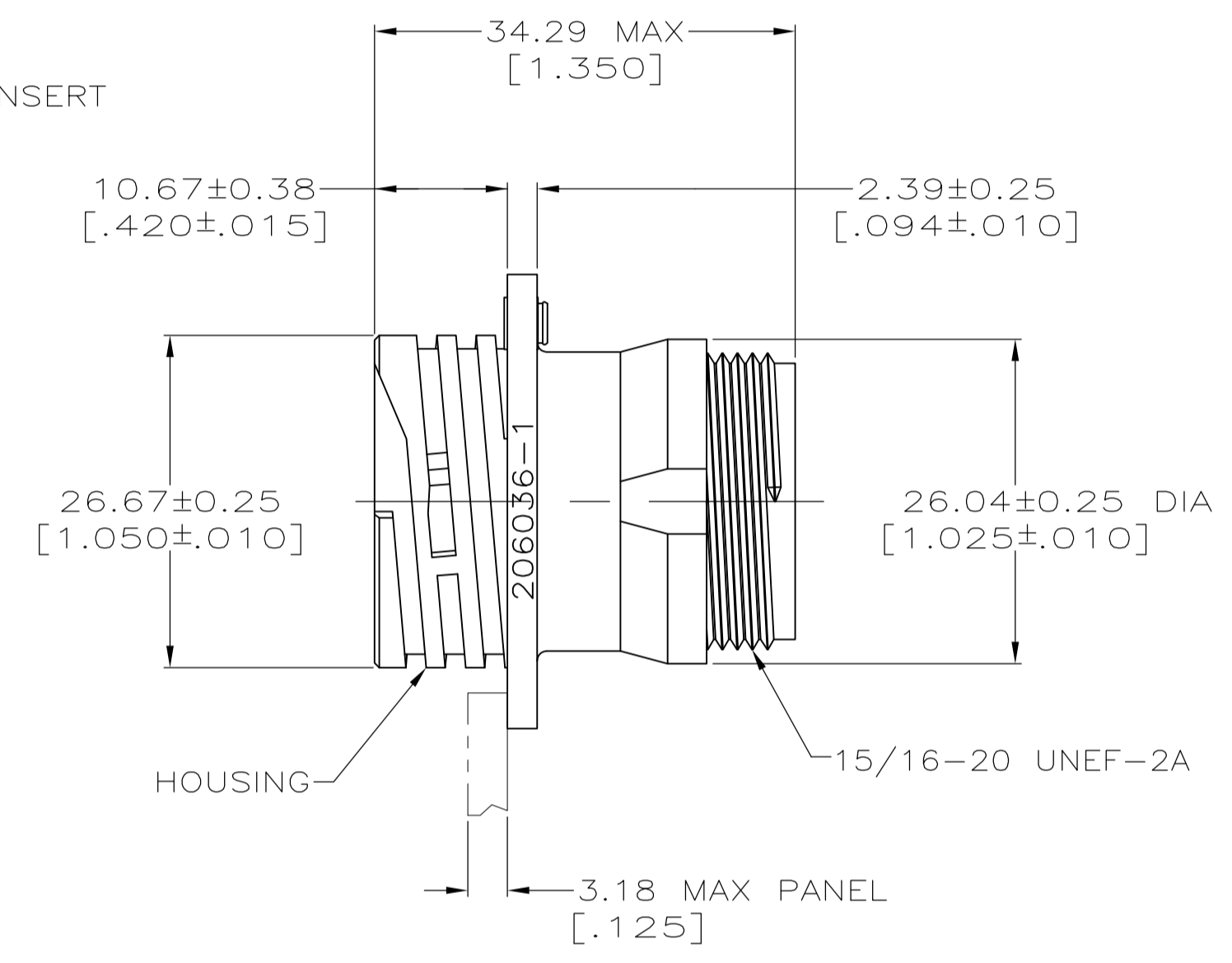
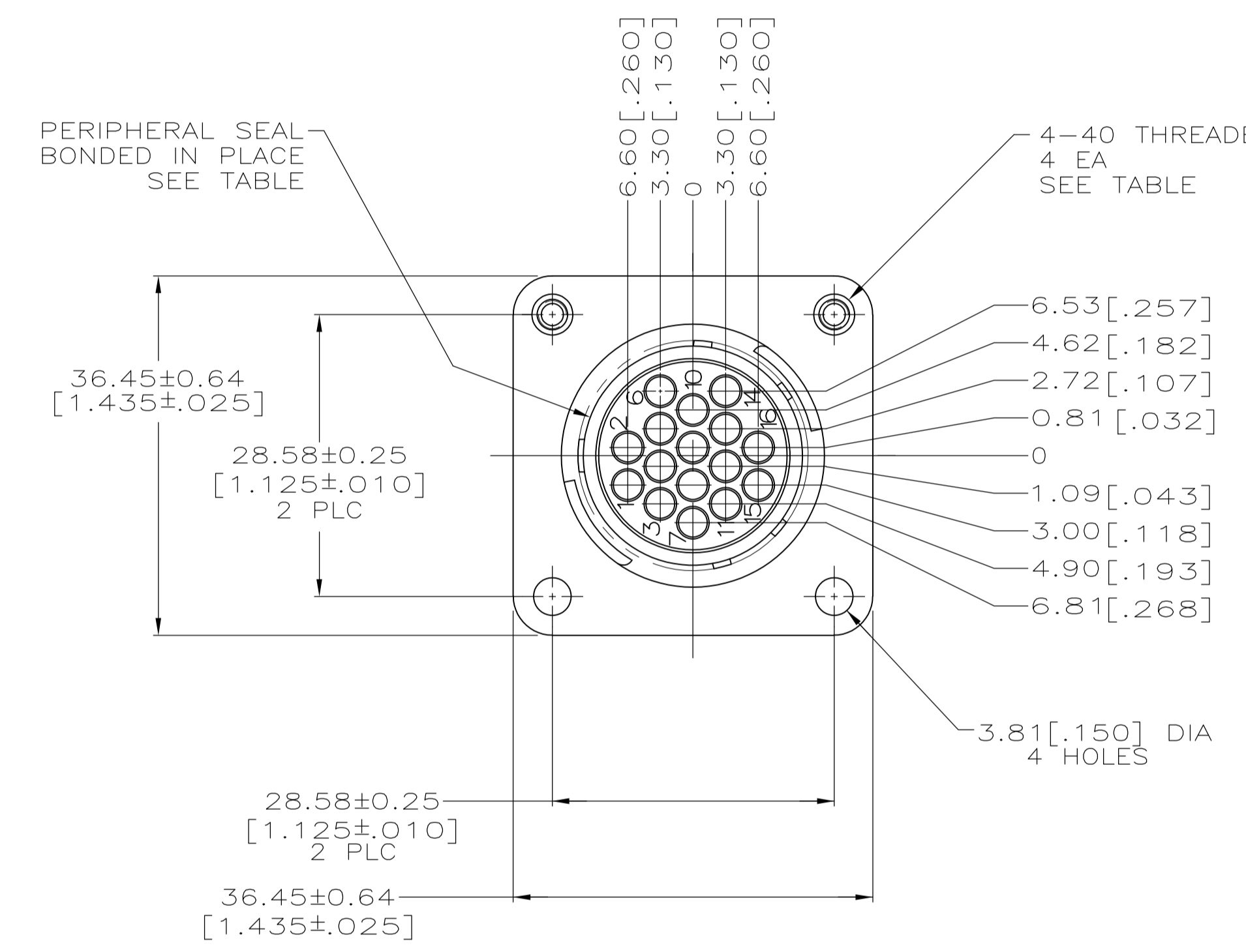


- 1 HOUSING: NYLON, BLACK.  
PERIPHERAL SEAL: ELASTOMER, GRAY.  
THREADED INSERTS: BRASS.
- 2 CAVITY IDENTIFICATION ON FRONT AND REAR FACE.
- 3 WILL ACCEPT (16) MULTIMATE PIN CONTACTS.
- 4 HOUSING: NYLON, BLUE.  
PERIPHERAL SEAL: ELASTOMER, GRAY.  
THREADED INSERTS: BRASS.
- 5 OBSOLETE PARTS: OBSOLETE CIS STREAMLINING PER D.RENAUD/D.SINISI



RECOMMENDED PANEL CUTOUT

OBSOLETE	STANDARD	NO	YES	206036-9
	STANDARD	YES	NO	206036-8
	SMALL PACK	NO	NO	206036-7
	STANDARD	NO	YES	206036-4
	STANDARD	NO	NO	206036-1
MATERIAL	PACKAGING	4-40 THREADED INSERTS	PERIPHERAL SEAL	PART NUMBER

THIS DRAWING IS A CONTROLLED DOCUMENT.

DIN	D. GELTZ	07/27/93
CHK	R. STONE	7-22-93
APVO	A. FRANTUM	8-12-93

**STE** TE Connectivity

NAME: RECEPTACLE HOUSING, STD SEX, SHELL SIZE 17, CPC

PRODUCT SPEC: 108-10024

APPLICATION SPEC: -

SIZE: A1

WEIGHT: -

CAGE CODE: 00779

DRAWING NO: 206036

RESTRICTED TO: -

CUSTOMER DRAWING

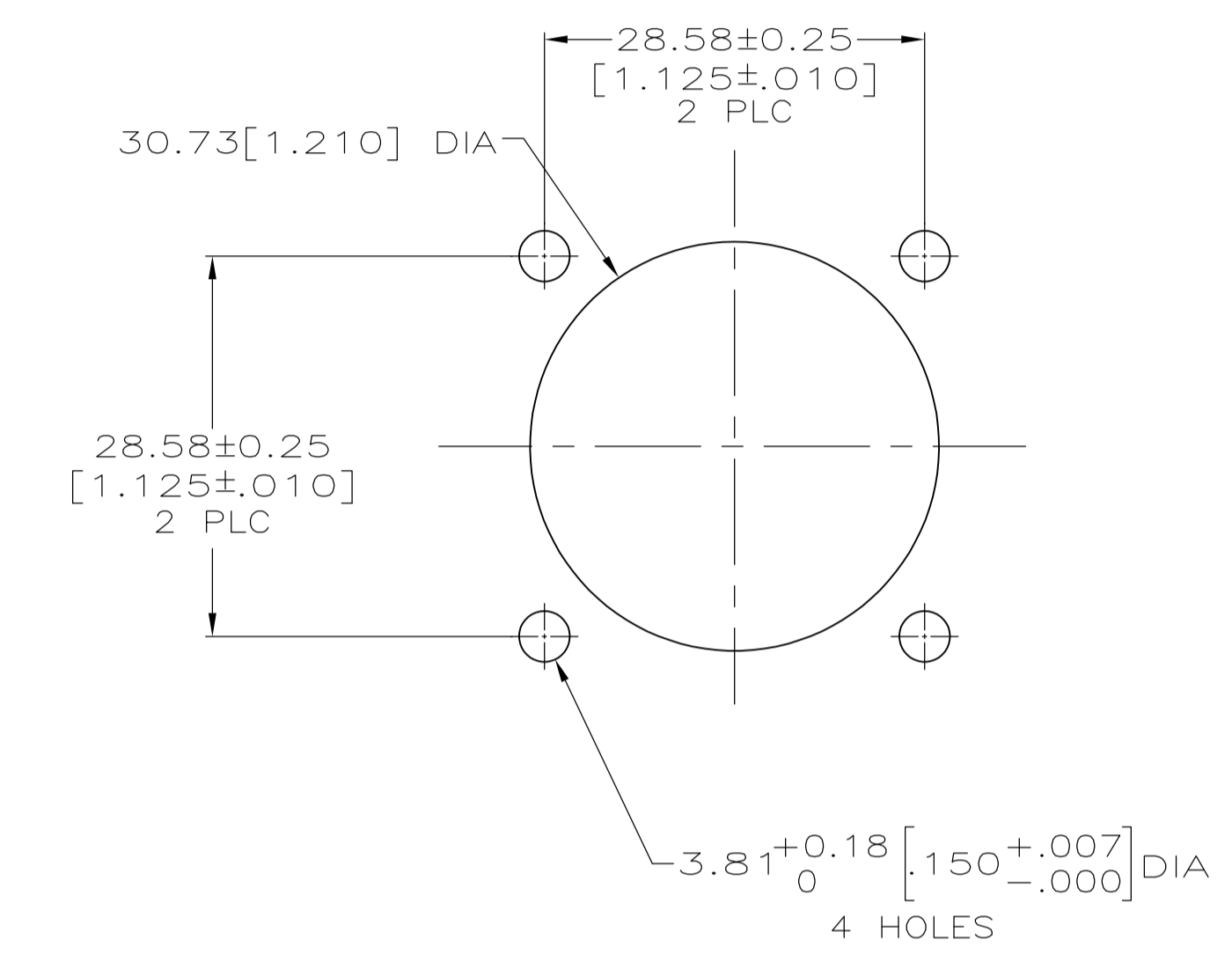
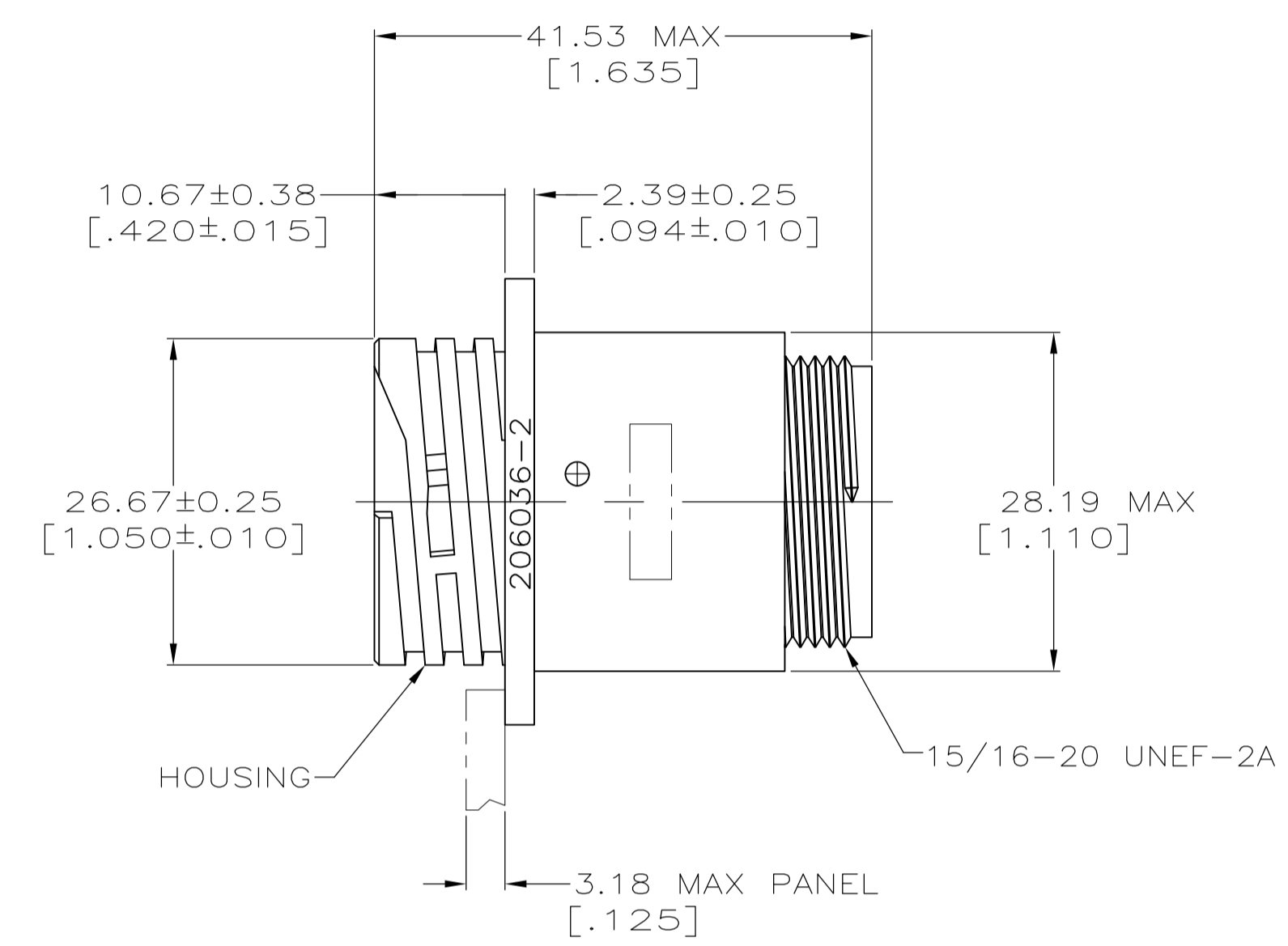
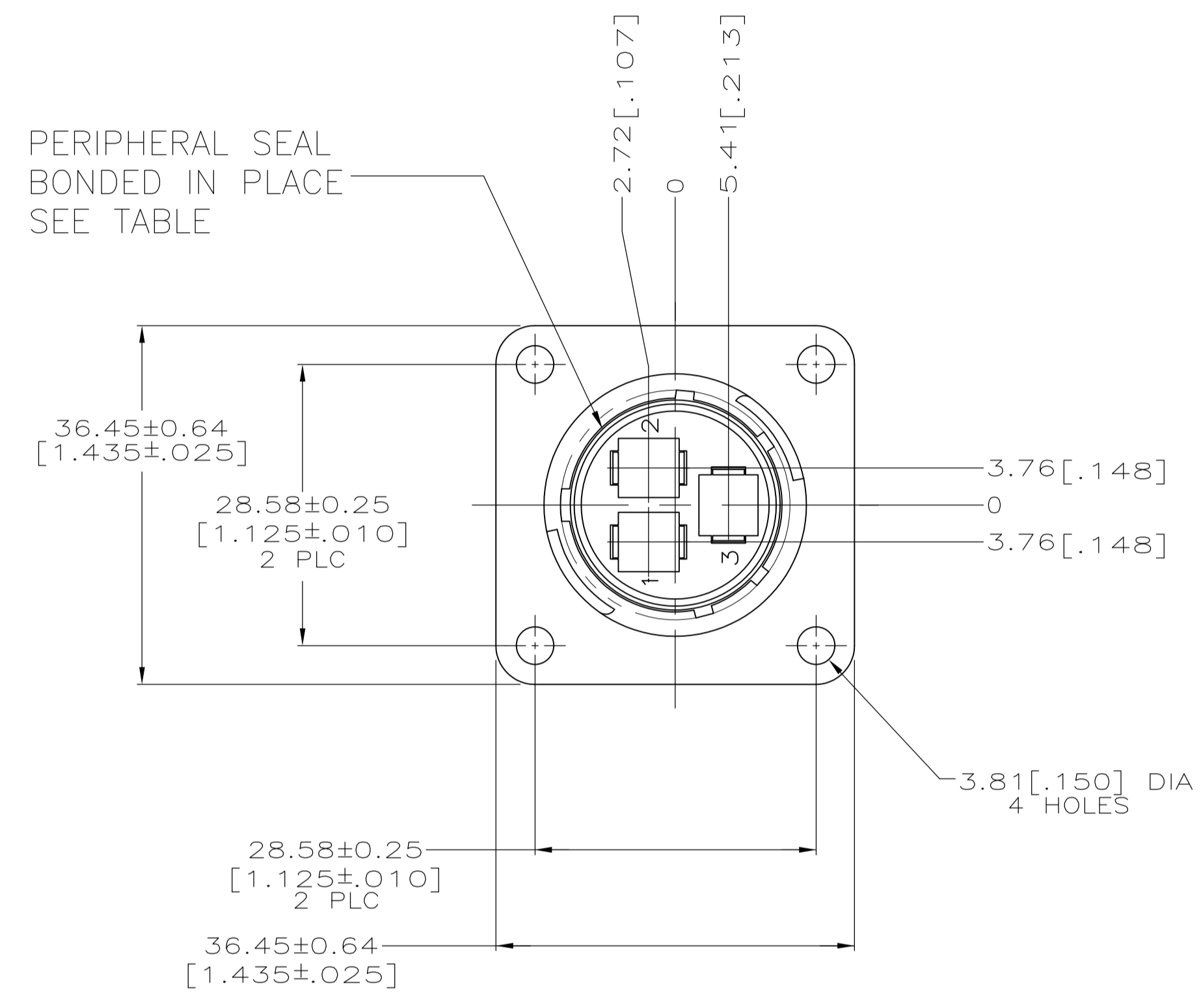
SCALE: 2:1

SHEET: 1 OF 3

REV: T

LOC		DIST		REVISIONS			
FT	0	P	LTR	DESCRIPTION	DATE	DN	APVD
-	-	-	-	SEE SHEET 1	-	-	-

- 1 CAVITY IDENTIFICATION ON FRONT AND REAR FACE.
- 2 WILL ACCEPT (3) TYPE XII PIN CONTACTS.
- 3 HOUSING: NYLON, BLACK.  
PERIPHERAL SEAL: ELASTOMER, GRAY.

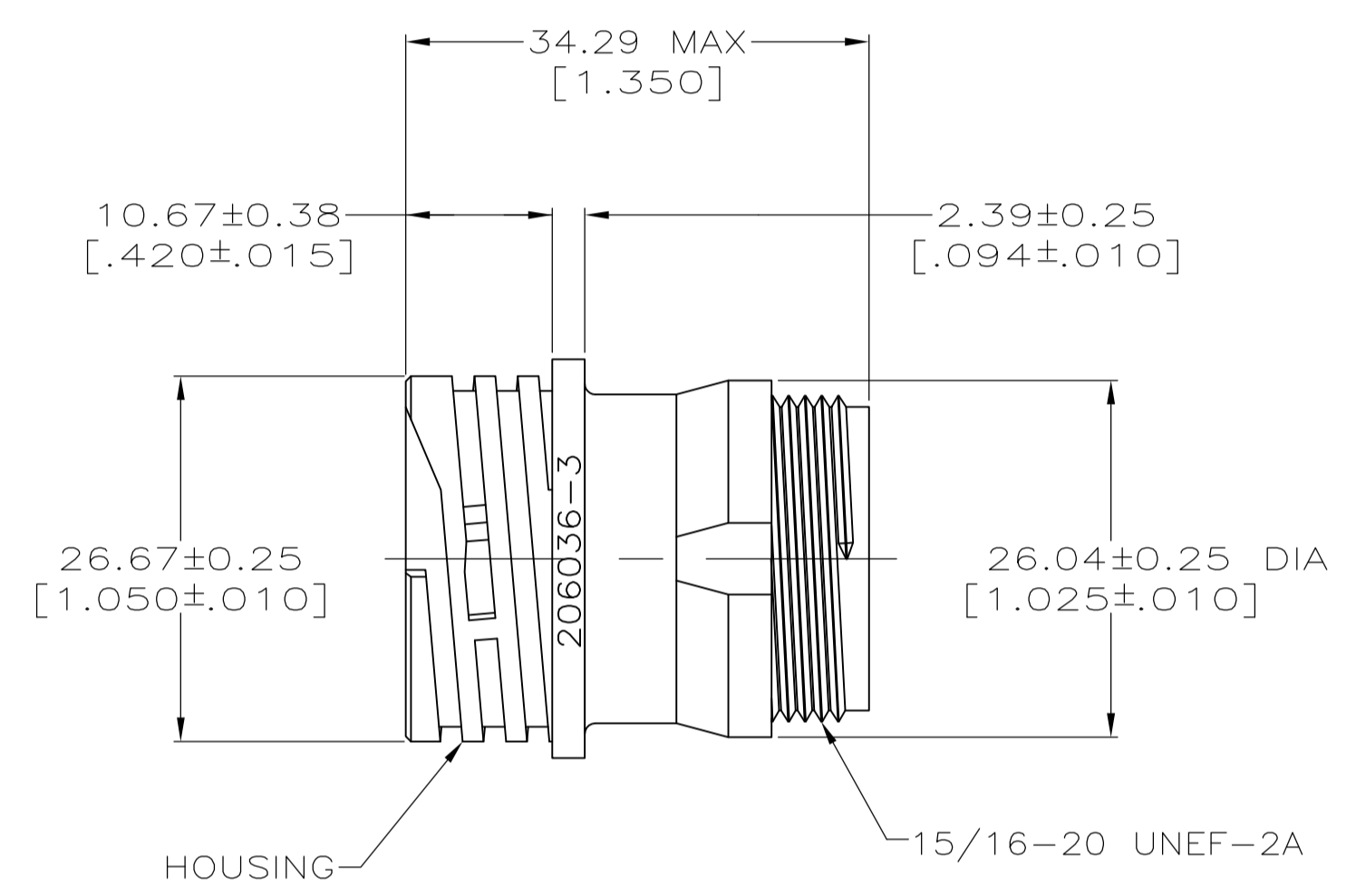
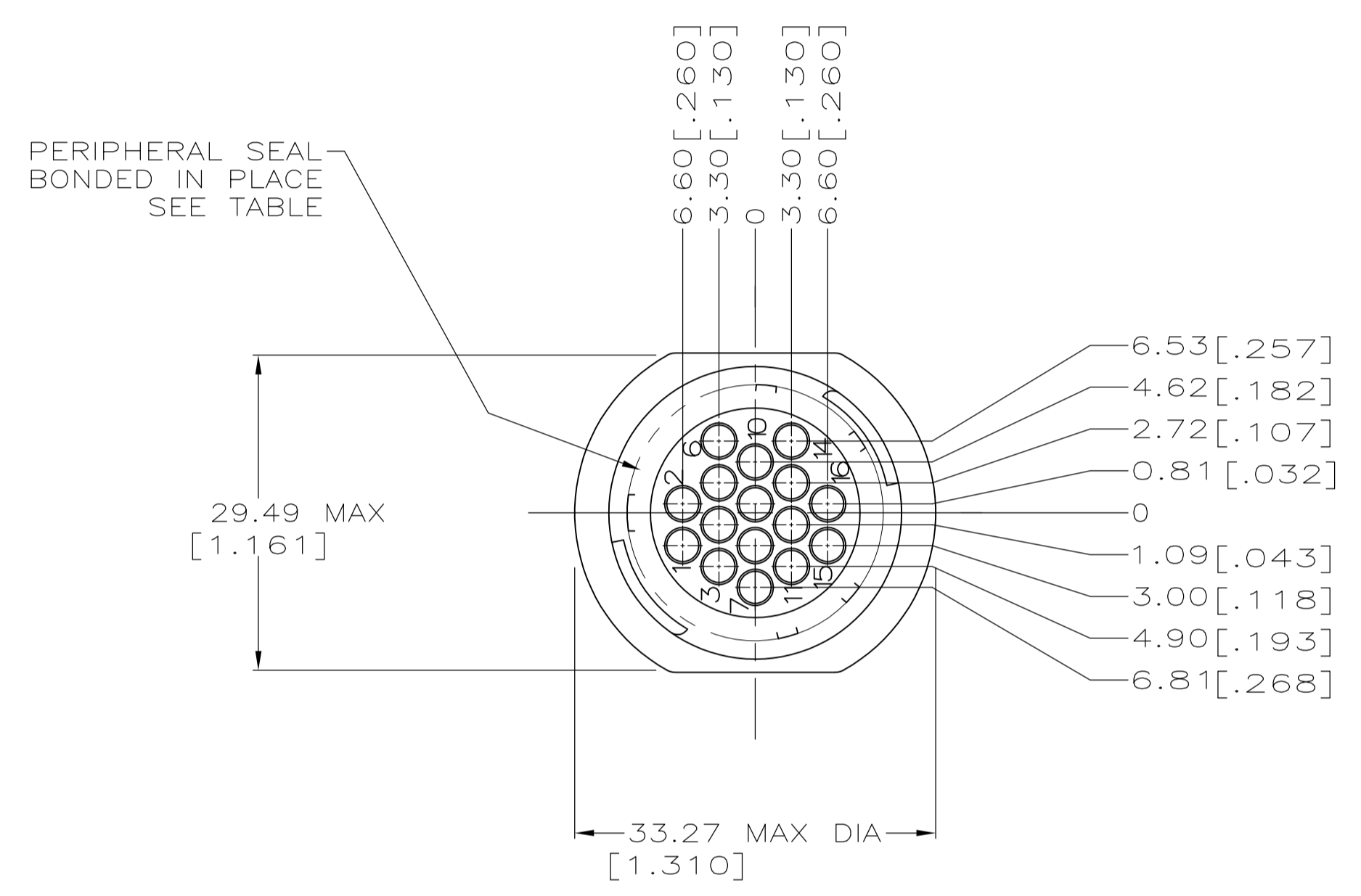


RECOMMENDED PANEL CUTOUT

PRELIMINARY	<input type="checkbox"/>	NO	YES	1-206036-6
	<input type="checkbox"/>	NO	NO	206036-2
MATERIAL	4-40 THREADED INSERTS	PERIPHERAL SEAL	PART NUMBER	
THIS DRAWING IS A CONTROLLED DOCUMENT.		DIN D. GELTZ 07/27/93	STE TE Connectivity	
DIMENSIONS: mm(INCHES)		CJK R. STONE 7-22-93	NAME RECEPTACLE HOUSING, STD SEX, SHELL SIZE 17, CPC	
TOLERANCES UNLESS OTHERWISE SPECIFIED:		APVD A. FRANTUM 8-12-93	PRODUCT SPEC 108-10024	
0 PLC ± -		APPLICATION SPEC		
1 PLC ± -		SIZE CAGE CODE DRAWING NO RESTRICTED TO		
2 PLC ± 0.13 [.005]		A1 00779 C=206036		
3 PLC ± -		WEIGHT -		
4 PLC ± -		CUSTOMER DRAWING SCALE 2:1 SHEET 2 OF 3 REV T		
ANGLES ± -				
FINISH -				

LOC		DIST		REVISIONS			
FT	O	P	LTR	DESCRIPTION	DATE	DN	APVO
-	-	-	-	SEE SHEET 1	-	-	-

- 1 CAVITY IDENTIFICATION ON FRONT AND REAR FACE.
- 2 WILL ACCEPT (16) MULTIMATE PIN CONTACTS.
- 3 HOUSING: NYLON, BLACK.  
PERIPHERAL SEAL: ELASTOMER, GRAY.
- 4 HOUSING: POLYESTER, PBT, BLACK.  
PERIPHERAL SEAL: ELASTOMER, GRAY.



OBSOLETE			
	4	NO	1-206036-3
	3	YES	206036-5
	3	NO	206036-3
		MATERIAL	PERIPHERAL SEAL
			PART NUMBER

THIS DRAWING IS A CONTROLLED DOCUMENT.

DIMENSIONS:	TOLERANCES UNLESS OTHERWISE SPECIFIED:	DIN	07/27/93	TE Connectivity
mm(INCHES)		D. GELTZ	7-22-93	
	0 PLC ± -	CIK	R. STONE	NAME RECEPTACLE HOUSING, STD SEX, SHELL SIZE 17, CPC
	1 PLC ± -	APVO	A. FRANTUM	
	2 PLC ± 0.13 [.005]	PRODUCT SPEC	108-10024	SIZE
	3 PLC ± -	APPLICATION SPEC		CAGE CODE
	4 PLC ± -			DRAWING NO
	ANGLES ± -			RESTRICTED TO
MATERIAL	FINISH	WEIGHT	A1 00779	SCALE
			C=206036	2:1
			CUSTOMER DRAWING	SHEET
				3 OF 3
				REV
				T

# Mouser Electronics

Authorized Distributor

Click to View Pricing, Inventory, Delivery & Lifecycle Information:

[TE Connectivity:](#)

[206036-8](#)