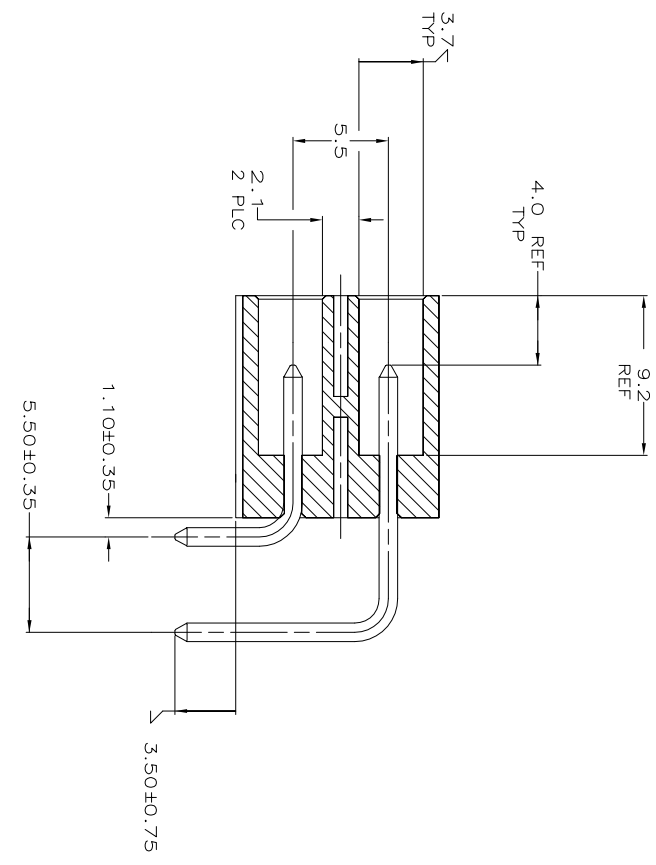
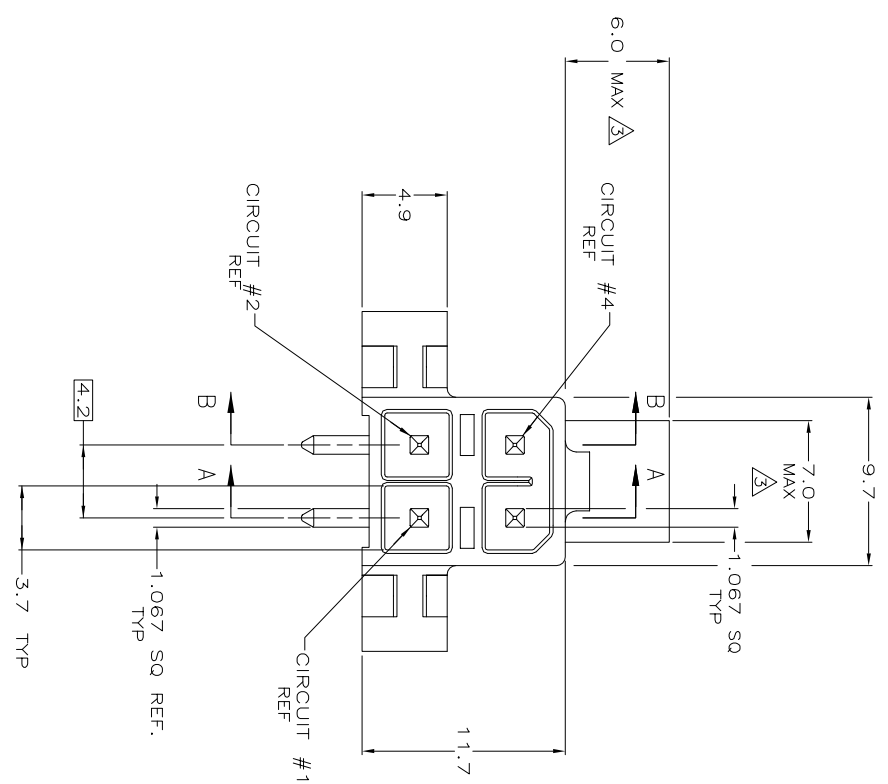
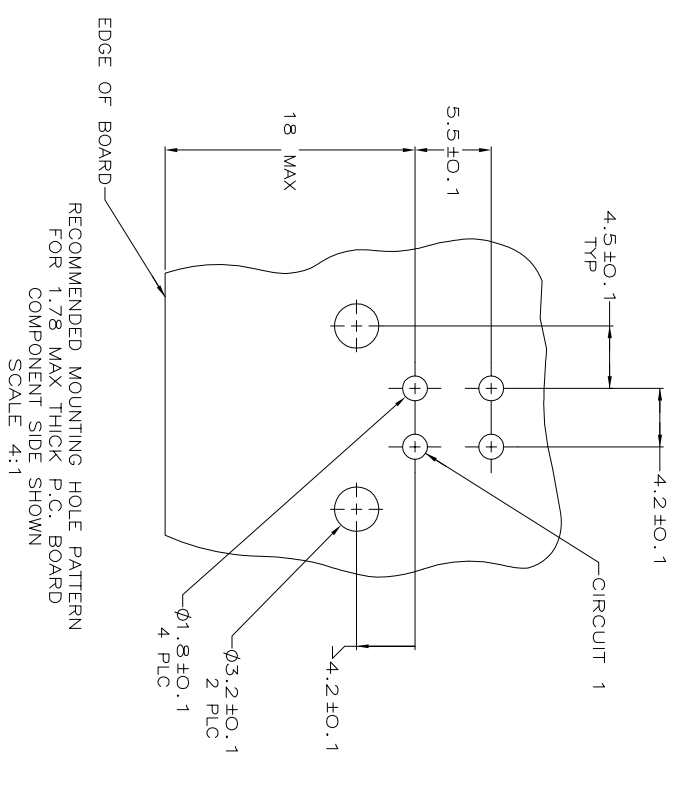


SECTION A-A



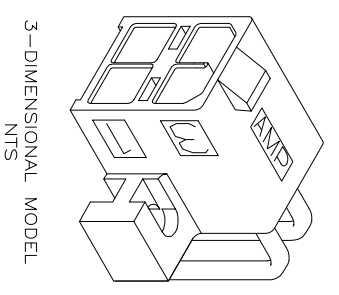
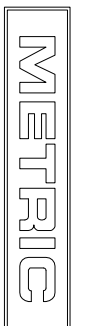
SECTION B-B

- 1. CONTACT: 0.00076 GOLD AT INTERFACE. 0.00254 MIN MATTE TIN ON SOLDER TAIL. 0.00127 MIN NICKEL UNDERPLATE ALL OVER.
- 2. MATES WITH AMP-DUAC/PL PLUG RECEPTACLE 794152 AND ITS CONTACTS.
- 3. CLEARANCE ENVELOPE FOR MATING PLUG RECEPTACLE LATCH.
- 4. ALL POSTS STANDARD.
- 5. CONTACT GROUND POST LOCATED IN CIRCUIT 3, ASSEMBLY P/N 5794172-3.
- 6. NO POST IN POSITION 1
- 7. NO POST IN POSITION 2
- 8. NO POST IN POSITION 3
- 9. NO POST IN POSITION 4



5794172-3 SHOWN

9	8	7	6	5
BRASS	BRASS	BRASS	BRASS	BRASS
△	△	△	△	△
PBT, UL94V-0	PBT, UL94V-0	PBT, UL94V-0	PBT, UL94V-0	PBT, UL94V-0
NATURAL(WHITE)	NATURAL(WHITE)	NATURAL(WHITE)	NATURAL(WHITE)	NATURAL(WHITE)
5794172-6	5794172-5	5794172-4	5794172-3	5794172-2
MATERIAL	FINISH	MATERIAL	HOUSING	COLOR
BRASS	△	PBT, UL94V-0	NATURAL(WHITE)	5794172-2



Mouser Electronics

Authorized Distributor

Click to View Pricing, Inventory, Delivery & Lifecycle Information:

[TE Connectivity:](#)

[5794172-3](#)