



FCIconnect.com

Copyright FCI.

CONFIGURATION OF CUSTOMER DOCUMENTS

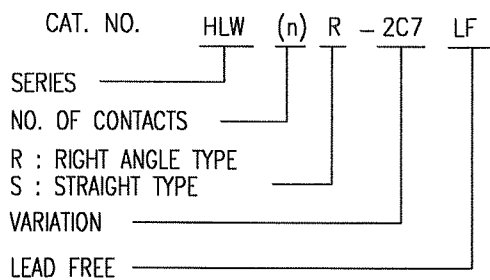
P/N	DOCUMENTS	DWG. NO.	TITLE
HLW_R/S-2C7LF	SPEC	SC-HLW05	CONNECTOR USED FOR FPC/FFC WITH 1mm CONTACT SPACING
	CONNECTOR	JSA96403	CAT NO.TABLE FOR 1mm SPACING CONNECTOR
		JSA96405	1mm SPACING CONNECTOR FOR FPC/FFC
		JSA96406	1mm SPACING CONNECTOR FOR FPC/FFC
	CABLE	JSA93382	RECOMMENDED CABLE(FPC)
		JSA93383	RECOMMENDED CABLE(FFC)
	MANUAL	BJM-HLW101	HANDLING PROCEDURES AND REMARKS

P/N	DOCUMENTS	DWG. NO.	TITLE
HLW_R/S-6C7LF	SPEC	SC-HLW06	CONNECTOR USED FOR C/C WITH 1mm CONTACT SPACING
	CONNECTOR	JSA96404	CAT NO.TABLE FOR 1mm SPACING CONNECTOR
		JSA96407	1mm SPACING CONNECTOR FOR C/C
		JSA96408	1mm SPACING CONNECTOR FOR C/C
	CABLE	JSA93626	RECOMMENDED CABLE(C/C)
	MANUAL	BJM-HLW102	HANDLING PROCEDURES AND REMARKS

mat'l. code				surface ⁵⁸ / tolerance ISO 1302 <input checked="" type="checkbox"/> ISO 406 ISO 1101		projection 		product family 58PF/QF		CODE JP	
ltr	ecn no	dr	date	tolerances unless otherwise specified		mm 		title 1mm SPACING CONNECTOR DOCUMENT LIST (Cat. No. HLW_R/S-2/6C7LF)			
A	J05-0270	H.T	5/11/05	angles	linear						
B	J05-0293	H.T	5/18/05			scale \propto		dwg no JSA96418 sheet 1 of 1 size A4			
C	J05-0517	H.T	8/11/05								
D	J06-0449	H.T	11/2/06	dr	<i>H. Shouji</i> 11/2/06			type Product Customer Drawing			
				enr	<i>H. Shouji</i> 11/2/06						
				chr	<i>K. Shouji</i> 11/2/06						
				appd	<i>S. Ito</i> 11/2/06						
sheet index	revision sheet	D	1								Rev. D

CAT. NO. & DIMENSIONS

NO. OF CONTACTS (n)	CAT. NO.		DIMENSIONS (NOTE1)		
	RIGHT ANGLE TYPE	STRAIGHT TYPE	A ± 0.3	B ± 0.1	C
4	HLW 4R-2C7LF	HLW 4S-2C7LF	6.6	5.12	3.0
5	HLW 5R-2C7LF	HLW 5S-2C7LF	7.6	6.12	4.0
6	HLW 6R-2C7LF	HLW 6S-2C7LF	8.6	7.12	5.0
7	HLW 7R-2C7LF	HLW 7S-2C7LF	9.6	8.12	6.0
8	HLW 8R-2C7LF	HLW 8S-2C7LF	10.6	9.12	7.0
9	HLW 9R-2C7LF	HLW 9S-2C7LF	11.6	10.12	8.0
10	HLW10R-2C7LF	HLW10S-2C7LF	12.6	11.12	9.0
11	HLW11R-2C7LF	HLW11S-2C7LF	13.6	12.12	10.0
12	HLW12R-2C7LF	HLW12S-2C7LF	14.6	13.12	11.0
13	HLW13R-2C7LF	HLW13S-2C7LF	15.6	14.12	12.0
14	HLW14R-2C7LF	HLW14S-2C7LF	16.6	15.12	13.0
15	HLW15R-2C7LF	HLW15S-2C7LF	17.6	16.12	14.0
16	HLW16R-2C7LF	HLW16S-2C7LF	18.6	17.12	15.0
17	HLW17R-2C7LF	HLW17S-2C7LF	19.6	18.12	16.0
18	HLW18R-2C7LF	HLW18S-2C7LF	20.6	19.12	17.0
19	HLW19R-2C7LF	HLW19S-2C7LF	21.6	20.12	18.0
20	HLW20R-2C7LF	HLW20S-2C7LF	22.6	21.12	19.0
21	HLW21R-2C7LF	HLW21S-2C7LF	23.6	22.12	20.0
22	HLW22R-2C7LF	HLW22S-2C7LF	24.6	23.12	21.0
23	HLW23R-2C7LF	HLW23S-2C7LF	25.6	24.12	22.0
24	HLW24R-2C7LF	HLW24S-2C7LF	26.6	25.12	23.0
25	HLW25R-2C7LF	HLW25S-2C7LF	27.6	26.12	24.0
26	HLW26R-2C7LF	HLW26S-2C7LF	28.6	27.12	25.0
27	HLW27R-2C7LF	HLW27S-2C7LF	29.6	28.12	26.0
28	HLW28R-2C7LF	HLW28S-2C7LF	30.6	29.12	27.0
29	HLW29R-2C7LF	HLW29S-2C7LF	31.6	30.12	28.0
30	HLW30R-2C7LF	HLW30S-2C7LF	32.6	31.12	29.0
31	HLW31R-2C7LF	HLW31S-2C7LF	33.6	32.12	30.0
32	HLW32R-2C7LF	HLW32S-2C7LF	34.6	33.12	31.0

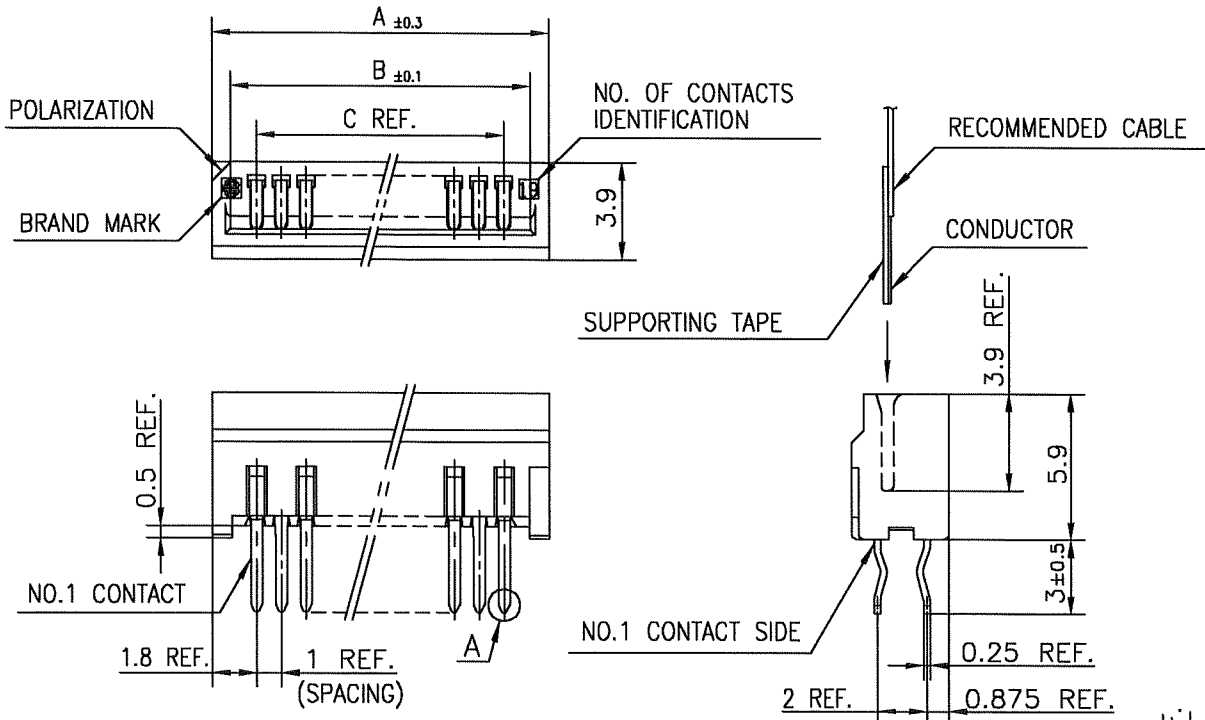


NOTES

1. SEE PART DRAWINGS FOR DIMENSIONS A~C.

mat'l. code				surface 5B / ISO 1302 ✓		tolerance ISO 406 / ISO 1101		projection		product family 58PF/QF		CODE JP	
ltr ecn no dr date				tolerances unless otherwise specified						title CAT NO. TABLE FOR 1mm SPACING CONNECTOR (Cat. No. : HLW__R/S-2C7LF)			
A J05-0270 H.T. 5/10/05				angles		linear		scale X		dwg no JSA 96403 sheet 1 of 1 size A4			
B J06-0449 H.T. 11/2/06				dr <i>H. Shouji</i> 11/2/06		enr <i>H. Shouji</i> 11/2/06		chr <i>K. Shouji</i> 11/2/06		appd <i>S. Okamoto</i> 11/7/06		type Product Customer Drawing	
sheet index		revision B		sheet 1								Rev. B	

SC-HLW05 JSA96405 96406 93382 93383 form: A4



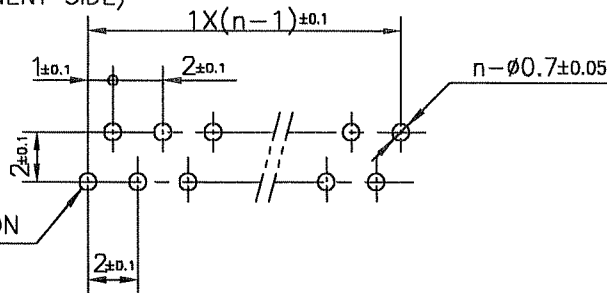
MATERIAL

INSULATOR : PBT RESIN GLASS REINFORCED (UL94V-0)
 COLOR : BLACK
 CONTACT : PHOSPHOR BRONZE
 PLATING : TIN

- NOTE 1. THIS PRODUCT IS STRAIGHT TYPE CONNECTOR.
 2. THIS PRODUCT MEETS EUROPEAN UNION DIRECTIVES AND OTHER COUNTRY REGULATIONS AS DESCRIBED IN GS-22-008.
 3. THE HOUSING WILL WITHSTAND EXPOSURE TO 260°C PEAK TEMPERATURE FOR 10 SECONDS IN A WAVE SOLDER APPLICATION WITH A 1.6mm THICK CIRCUIT BOARD.

RECOMMENDED PC BOARD

THICKNESS : 1.2~1.6
 HOLE PATTERN (COMPONENT SIDE)



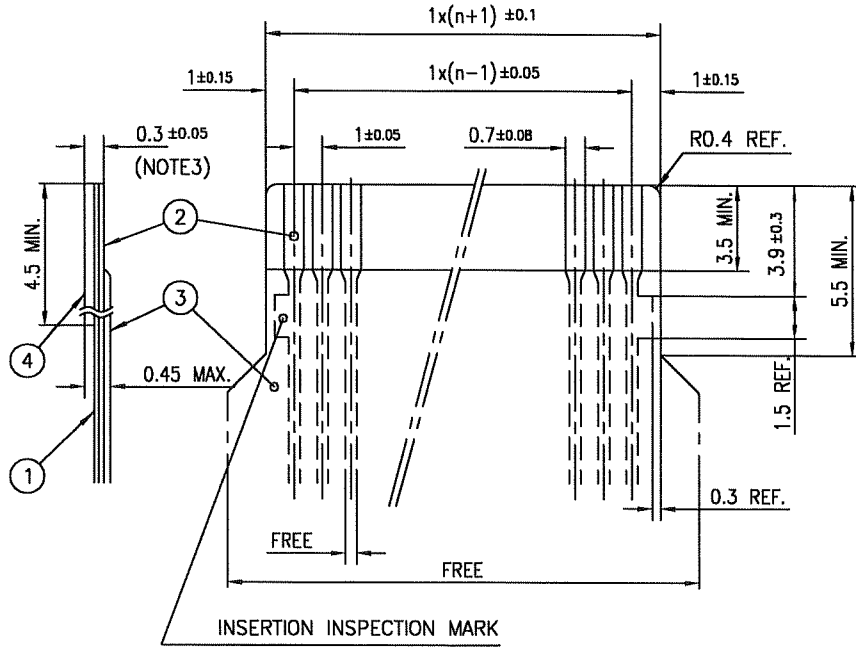
NO.1 CONTACT POSITION

n : NO. OF CONTACTS

mat'l. code				surface 58 / tolerance ISO 406 / ISO 1302 / ISO 1101		projection		product family 58QF		CODE JP	
ltr	ecn no	dr	date	tolerances unless otherwise specified		mm		title 1mm SPACING CONNECTOR FOR FPC/FFC (Cat. No. :HLW__S-2C7LF)			
A	J05-0270	H.T	5/10/05	±0.2		mm		dwg no JSA 96406 sheet 1 of 1 size A4 type Product Customer Drawing			
B	J05-0735	H.T	10/28/05	linear		scale X					
C	J06-0449	H.T	11/2/06								
				dr		FCI					
				engr							
				chr							
				appd							
sheet index		revision sheet		C 1						Rev C	

RECOMMENDED CABLE (FPC)

n : NO. OF CONDUCTORS



PT. NO.	DESCRIPTION	MATERIAL	THICKNESS (μm)
1	BASE FILM	POLYIMIDE OR POLYESTER OR EQUIVALENT	25
2	CONDUCTOR	COPPER FOIL (PLATING : SOLDER 1μm MIN.)	35
3	OVERLAY	POLYIMIDE OR POLYESTER OR EQUIVALENT	—
4	SUPPORTING TAPE	POLYESTER OR POLYIMIDE OR EQUIVALENT	188

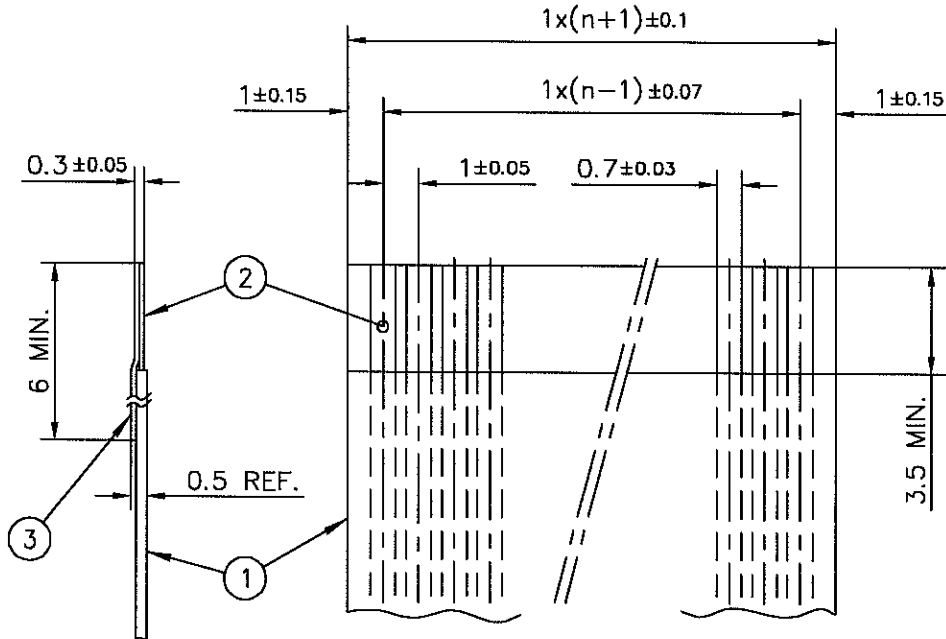
NOTES

1. NO BURR AT EACH PORTION.
2. NO PEELING IN COMMON USE.
3. TOTAL THICKNESS LIMIT OF EACH MATERIAL (INCLUDING ADHESIVE AGENT) IS SPECIFIED.

mat'l. code				surface 58 / tolerance ISO 406 ISO 1101		projection		product family 58PF/QF		CODE JP	
ltr ecn no dr date				tolerances unless otherwise specified		mm		title			
AA J05-0270 H.T 5/11/05				angles linear		mm		RECOMMENDED CABLE (FPC)			
AB J06-0449 H.T 11/2/06						scale X		(Cat. No. HLW__R/S-___)			
				dr		FCI		dwg no		sheet 1 of 1 size	
				enr				JSA 93382		A4	
				chr				type Product Customer Drawing			
				appd							
sheet index		revision sheet		AB 1						Rev. AB	

RECOMMENDED CABLE (FFC)

n : NO. OF CONDUCTORS



PT. NO.	DESCRIPTION	MATERIAL	NOTE
1	INSULATOR	FLAME RESISTING POLYESTER OR EQUIVALENT	_____
2	CONDUCTOR	COPPER FOIL	PLATING : TIN OR SOLDER 1 μm MIN.
3	SUPPORTING TAPE	FLAME RESISTING POLYESTER OR EQUIVALENT	_____

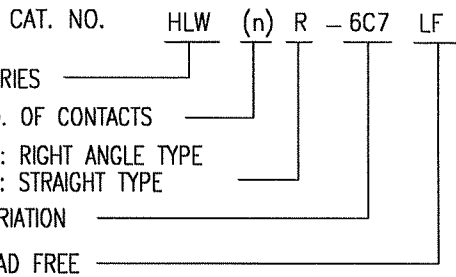
NOTES

1. NO BURR AT EACH PORTION.
2. NO PEELING IN COMMON USE.

mat'l. code				surface 58 / tolerance ISO 1302 / ISO 406 / ISO 1101		projection		product family 58PF/QF		CODE JP	
litr ecn no dr date				tolerances unless otherwise specified		mm		title			
AA J05-0270 H.T 5/11/05				angles linear		mm		RECOMMENDED CABLE (FFC) (Cat. No. HLW__R/S-__)			
AB J06-0449 H.T 11/2/06						scale X		dwg no sheet 1 of 1 size		A4	
				dr 11/2/06		FCI		JSA 93383			
				enr 11/2/06				type Product Customer Drawing			
				chr R. Shouji 11/2/06							
				appd S. De. davar 11/2/06							
sheet index		revision sheet		AB 1						Rev AB	

CAT. NO. & DIMENSIONS

NO. OF CONTACTS (n)	CAT. NO.		DIMENSIONS (NOTE1)		
	RIGHT ANGLE TYPE	STRAIGHT TYPE	A ± 0.3	B ± 0.1	C
4	HLW 4R-6C7LF	HLW 4S-6C7LF	6.6	5.12	3.0
5	HLW 5R-6C7LF	HLW 5S-6C7LF	7.6	6.12	4.0
6	HLW 6R-6C7LF	HLW 6S-6C7LF	8.6	7.12	5.0
7	HLW 7R-6C7LF	HLW 7S-6C7LF	9.6	8.12	6.0
8	HLW 8R-6C7LF	HLW 8S-6C7LF	10.6	9.12	7.0
9	HLW 9R-6C7LF	HLW 9S-6C7LF	11.6	10.12	8.0
10	HLW10R-6C7LF	HLW10S-6C7LF	12.6	11.12	9.0
11	HLW11R-6C7LF	HLW11S-6C7LF	13.6	12.12	10.0
12	HLW12R-6C7LF	HLW12S-6C7LF	14.6	13.12	11.0
13	HLW13R-6C7LF	HLW13S-6C7LF	15.6	14.12	12.0
14	HLW14R-6C7LF	HLW14S-6C7LF	16.6	15.12	13.0
15	HLW15R-6C7LF	HLW15S-6C7LF	17.6	16.12	14.0
16	HLW16R-6C7LF	HLW16S-6C7LF	18.6	17.12	15.0
17	HLW17R-6C7LF	HLW17S-6C7LF	19.6	18.12	16.0
18	HLW18R-6C7LF	HLW18S-6C7LF	20.6	19.12	17.0
19	HLW19R-6C7LF	HLW19S-6C7LF	21.6	20.12	18.0
20	HLW20R-6C7LF	HLW20S-6C7LF	22.6	21.12	19.0
21	HLW21R-6C7LF	HLW21S-6C7LF	23.6	22.12	20.0
22	HLW22R-6C7LF	HLW22S-6C7LF	24.6	23.12	21.0
23	HLW23R-6C7LF	HLW23S-6C7LF	25.6	24.12	22.0
24	HLW24R-6C7LF	HLW24S-6C7LF	26.6	25.12	23.0
25	HLW25R-6C7LF	HLW25S-6C7LF	27.6	26.12	24.0
26	HLW26R-6C7LF	HLW26S-6C7LF	28.6	27.12	25.0
27	HLW27R-6C7LF	HLW27S-6C7LF	29.6	28.12	26.0
28	HLW28R-6C7LF	HLW28S-6C7LF	30.6	29.12	27.0
29	HLW29R-6C7LF	HLW29S-6C7LF	31.6	30.12	28.0
30	HLW30R-6C7LF	HLW30S-6C7LF	32.6	31.12	29.0
31	HLW31R-6C7LF	HLW31S-6C7LF	33.6	32.12	30.0
32	HLW32R-6C7LF	HLW32S-6C7LF	34.6	33.12	31.0



NOTES

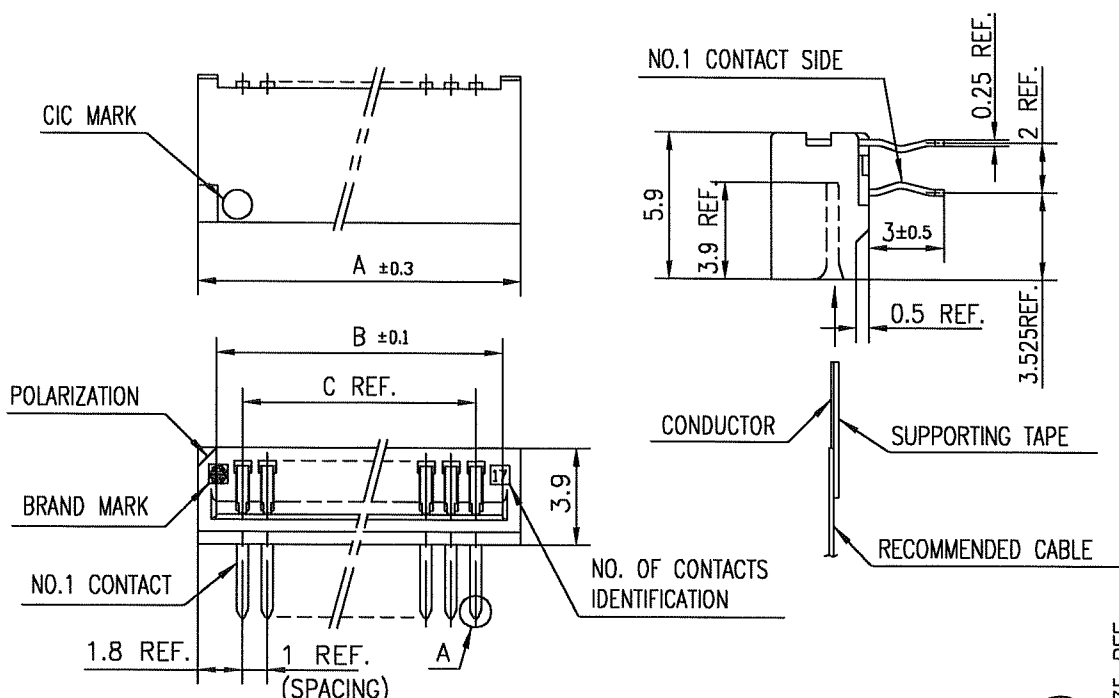
1. SEE PART DRAWINGS FOR DIMENSIONS A~C.

mat'l. code				surface 5B / ISO 1302 ✓		tolerance ISO 406 / ISO 1101		projection		product family 58PF/QF		CODE JP	
ltr ecn no dr date				tolerances unless otherwise specified				mm		title CAT NO. TABLE FOR 1mm SPACING CONNECTOR (Cat. No. : HLW__R/S-6C7LF)			
A J05-0270 H.T 5/10/05				angles linear									
B J06-0449 H.T 11/2/06								scale X		dwg no JSA 96404 sheet 1 of 1 size A4			
				dr <i>H. Hatakeyama</i> 11/2/06									
				enr <i>H. Hatakeyama</i> 11/2/06						type Product Customer Drawing			
				chr <i>R. Strong</i> 11/2/06				Rev. B					
				appd <i>J. Duda</i> 11/2/06								sheet index revision B 1	
sheet index revision B 1													



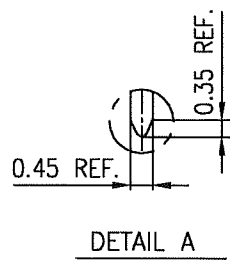
FCIconnect.com

Copyright FCI.



MATERIAL

INSULATOR : PBT RESIN GLASS REINFORCED (UL94V-0)
 COLOR : BLACK
 CONTACT : PHOSPHOR BRONZE
 PLATING : TIN



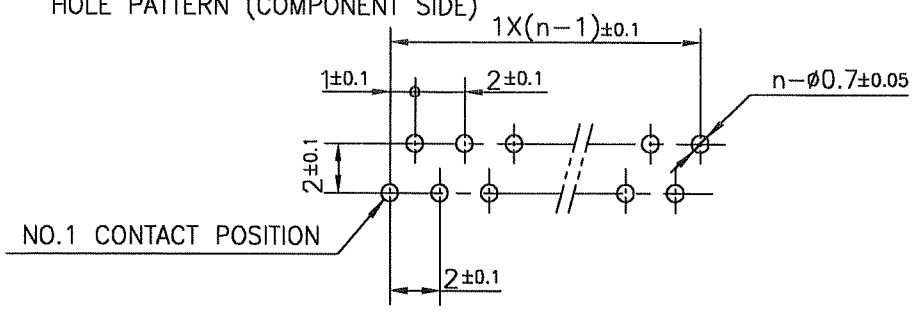
NOTE

1. THIS PRODUCT IS RIGHT ANGLE TYPE CONNECTOR.
2. THIS PRODUCT MEETS EUROPEAN UNION DIRECTIVES AND OTHER COUNTRY REGULATIONS AS DESCRIBED IN GS-22-008.
3. THE HOUSING WILL WITHSTAND EXPOSURE TO 260°C PEAK TEMPERATURE FOR 10 SECONDS IN A WAVE SOLDER APPLICATION WITH A 1.6mm THICK CIRCUIT BOARD.

RECOMMENDED PC BOARD

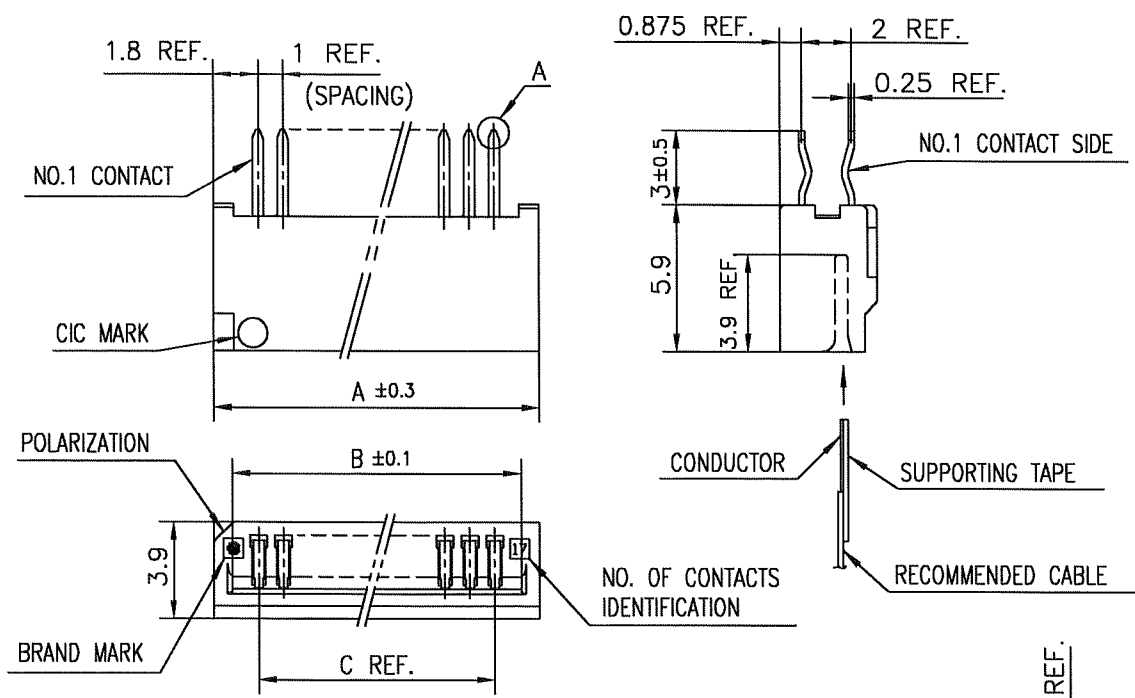
THICKNESS : 1.2~1.6
 HOLE PATTERN (COMPONENT SIDE)

n : NO. OF CONTACTS



mat'l. code				surface 58 / ISO 1302		tolerance ISO 406 / ISO 1101		projection		product family 58PF		CODE JP	
ltr	ecn no	dr	date	tolerances unless otherwise specified				mm		title			
A	J05-0270	H.T	5/10/05	±0.2				mm		1mm SPACING CONNECTOR FOR CIC (Cat. No. :HLW_R-6C7LF)			
B	J05-0735	H.T	10/28/05	linear				scale X		sheet 1 of 1 size A4			
C	J06-0449	H.T	11/2/06					FCI		JSA 96407			
				dr		11/2/06				type Product Customer Drawing			
				enr		11/2/06							
				chr		11/2/06							
				appd		11/2/06							
sheet index		revision sheet		C		1						Rev. C	

Copyright FCI.
 FCIconnect.com
 FCI



MATERIAL

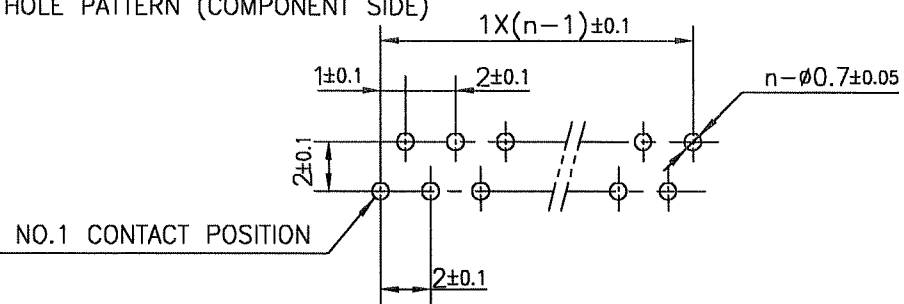
INSULATOR : PBT RESIN GLASS REINFORCED (UL94V-0)
 COLOR : BLACK
 CONTACT : PHOSPHOR BRONZE
 PLATING : TIN

NOTE

1. THIS PRODUCT IS STRAIGHT TYPE CONNECTOR.
2. THIS PRODUCT MEETS EUROPEAN UNION DIRECTIVES AND OTHER COUNTRY REGULATIONS AS DESCRIBED IN GS-22-008.
3. THE HOUSING WILL WITHSTAND EXPOSURE TO 260°C PEAK TEMPERATURE FOR 10 SECONDS IN A WAVE SOLDER APPLICATION WITH A 1.6mm THICK CIRCUIT BOARD.

RECOMMENDED PC BOARD

THICKNESS : 1.2~1.6
 HOLE PATTERN (COMPONENT SIDE)



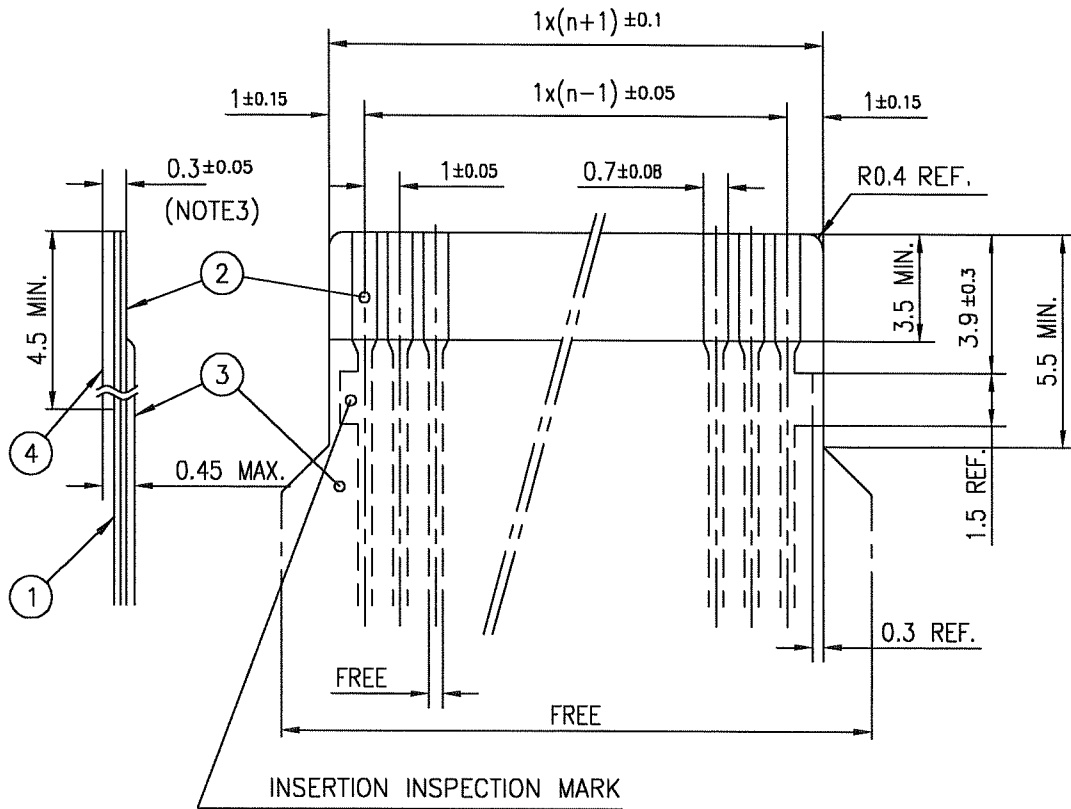
mat'l. code				surface 58 / tolerance ISO 1302 / ISO 406 / ISO 1101		projection		product family 58QF		CODE JP	
ltr	ecn no	dr	date	tolerances unless otherwise specified		mm		title			
A	J05-0270	H.T	5/10/05	±0.2		mm		1mm SPACING CONNECTOR FOR CIC (Cat. No. :HLW__S-6C7LF)			
B	J05-0735	H.T	10/28/05	angles	linear	scale X		dwg no sheet 1 of 1 size			
C	J06-0449	H.T	11/2/01			FCI		JSA 96408 A4			
				dr	11/2/06			type Product Customer Drawing			
				enr	11/2/06			Rev. c			
				chr	11/2/06						
				appd	11/2/06						
sheet index	revision	C	1								



Copyright FCI.

RECOMMENDED CABLE (CIC)

n : NO. OF CONDUCTORS



PT. NO.	DESCRIPTION	MATERIAL	THICKNESS (μm)	
1	BASE FILM	POLYESTER OR EQUIVALENT	75	25
2	CONDUCTOR	CARBON PASTE OVER SILVER PASTE	10 MIN.	
3	OVERLAY	POLYIMIDE OR POLYESTER OR EQUIVALENT	—	
4	SUPPORTING TAPE	POLYESTER OR POLYIMIDE OR EQUIVALENT	188	250

NOTES

1. NO BURR AT EACH PORTION.
2. NO PEELING IN COMMON USE.
3. TOTAL THICKNESS LIMIT OF EACH MATERIAL (INCLUDING ADHESIVE AGENT) IS SPECIFIED.

mat'l. code				surface ISO 1302 ✓		tolerance ISO 406 ✓ ISO 1101		projection		product family 58PF/QF		CODE JP			
ltr	ecn no	dr	date	tolerances unless otherwise specified						title					
AA	J05-0270	H.T	5/11/05	angles		linear		mm		RECOMMENDED CABLE (CIC)					
AB	J06-0449	H.T	11/2/06							(Cat. No. HLW__R/S-__)					
				dr <i>H. Shouji</i> 11/2/06		engr <i>H. Shouji</i> 11/2/06				dwg no		sheet 1 of 1		size	
				chr <i>K. Shouji</i> 11/2/06		appd <i>S. Nakano</i> 11/2/06				JSA 93626				A4	
sheet index		revision sheet		AB						type Product Customer Drawing				Rev. AB	

Mouser Electronics

Authorized Distributor

Click to View Pricing, Inventory, Delivery & Lifecycle Information:

[FCI / Amphenol:](#)

[HLW10R-2C7LF](#) [HLW10R-6C7LF](#) [HLW10S-2C7LF](#) [HLW11R-2C7LF](#) [HLW11R-6C7LF](#) [HLW11S-2C7LF](#) [HLW11S-6C7LF](#) [HLW12S-2C7LF](#) [HLW12S-6C7LF](#) [HLW13S-2C7LF](#) [HLW13S-6C7LF](#) [HLW14S-2C7LF](#) [HLW14S-6C7LF](#) [HLW15R-2C7LF](#) [HLW15R-6C7LF](#) [HLW16R-2C7LF](#) [HLW16S-2C7LF](#) [HLW17R-2C7LF](#) [HLW17S-2C7LF](#) [HLW17S-6C7LF](#) [HLW18R-2C7LF](#) [HLW18R-6C7LF](#) [HLW18S-6C7LF](#) [HLW19R-2C7LF](#) [HLW19S-2C7LF](#) [HLW21S-2C7LF](#) [HLW22S-2C7LF](#) [HLW23S-2C7LF](#) [HLW24R-2C7LF](#) [HLW24S-2C7LF](#) [HLW25S-2C7LF](#) [HLW26R-2C7LF](#) [HLW27S-2C7LF](#) [HLW29S-2C7LF](#) [HLW30R-2C7LF](#) [HLW30S-2C7LF](#) [HLW32S-2C7LF](#) [HLW4R-2C7LF](#) [HLW4S-2C7LF](#) [HLW5R-2C7LF](#) [HLW5S-2C7LF](#) [HLW6R-2C7LF](#) [HLW6S-2C7LF](#) [HLW7R-2C7LF](#) [HLW7S-2C7LF](#) [HLW8S-2C7LF](#) [HLW9R-2C7LF](#) [HLW9S-2C7LF](#) [HLW18S-2C7LF](#) [HLW12R-2C7LF](#) [HLW15S-2C7LF](#) [HLW14R-2C7LF](#) [HLW28S-2C7LF](#) [HLW20R-2C7LF](#) [HLW20S-2C7LF](#) [HLW8R-2C7LF](#) [HLW22R-2C7LF](#) [HLW26S-2C7LF](#) [HLW28R-2C7LF](#) [HLW16S-6C7LF](#) [HLW10S-6C7LF](#) [HLW12R-6C7LF](#) [HLW13R-2C7LF](#) [HLW13R-6C7LF](#) [HLW14R-6C7LF](#) [HLW15S-6C7LF](#) [HLW16R-6C7LF](#) [HLW17R-6C7LF](#) [HLW19R-6C7LF](#) [HLW19S-6C7LF](#) [HLW20R-6C7LF](#) [HLW20S-6C7LF](#) [HLW21R-2C7LF](#) [HLW21R-6C7LF](#) [HLW21S-6C7LF](#) [HLW22R-6C7LF](#) [HLW22S-6C7LF](#) [HLW23R-2C7LF](#) [HLW23R-6C7LF](#) [HLW23S-6C7LF](#) [HLW24R-6C7LF](#) [HLW24S-6C7LF](#) [HLW25R-2C7LF](#) [HLW25R-6C7LF](#) [HLW25S-6C7LF](#) [HLW26R-6C7LF](#) [HLW26S-6C7LF](#) [HLW27R-2C7LF](#) [HLW27R-6C7LF](#) [HLW27S-6C7LF](#) [HLW28R-6C7LF](#) [HLW28S-6C7LF](#) [HLW29R-2C7LF](#) [HLW29R-6C7LF](#) [HLW29S-6C7LF](#) [HLW30R-6C7LF](#) [HLW30S-6C7LF](#) [HLW31R-2C7LF](#) [HLW31R-6C7LF](#) [HLW31S-2C7LF](#)