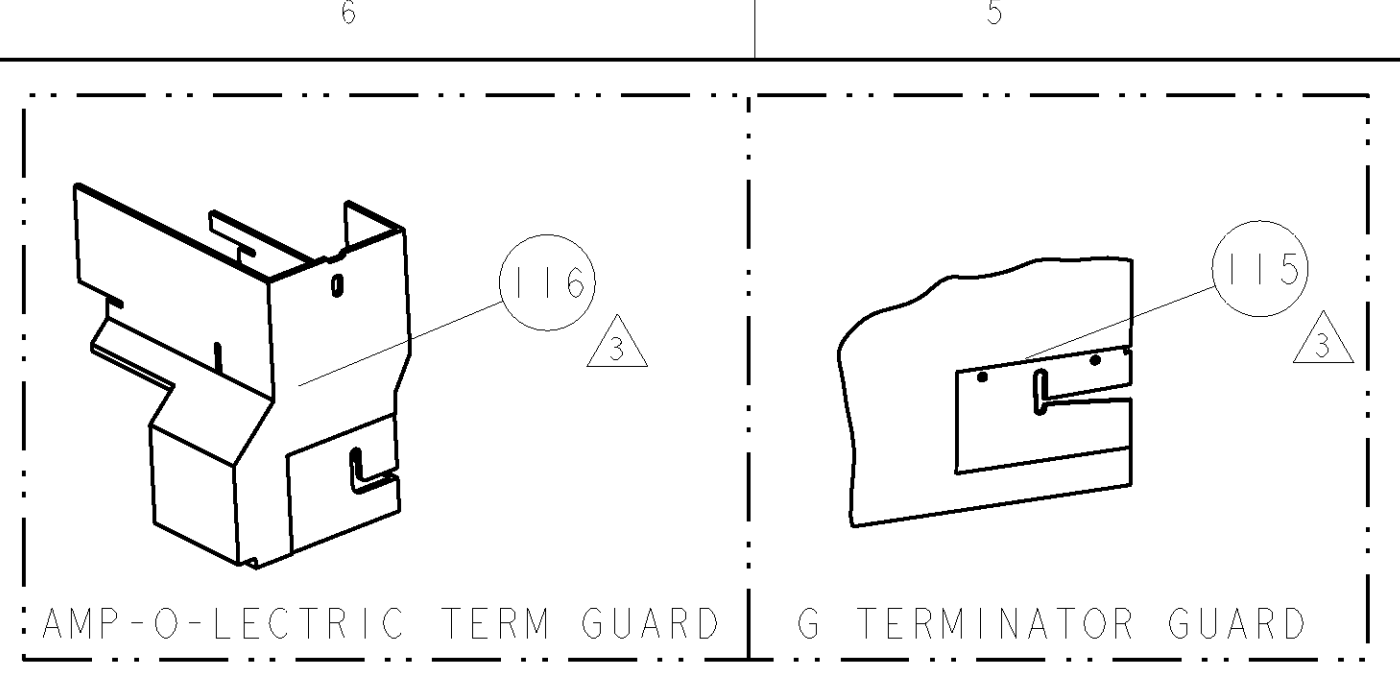


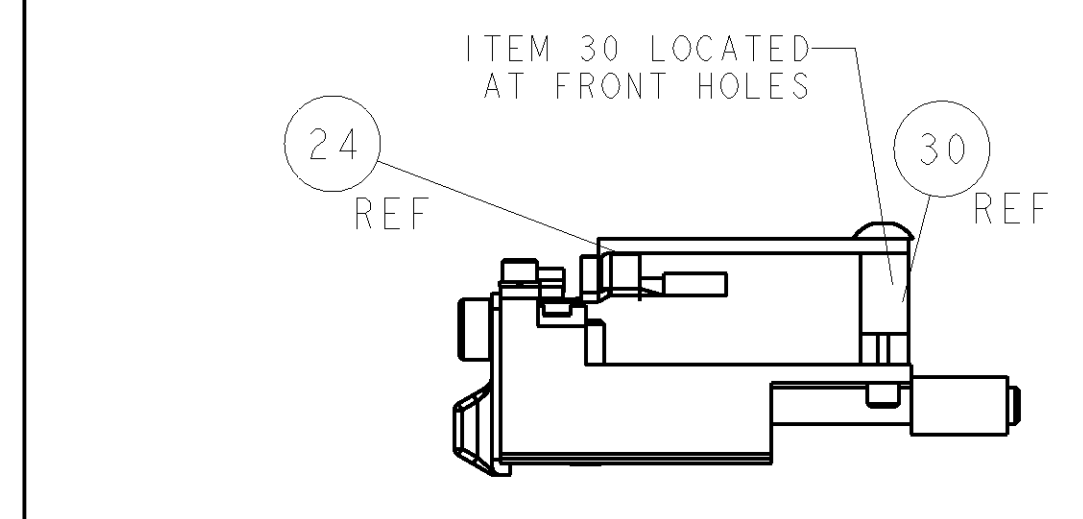
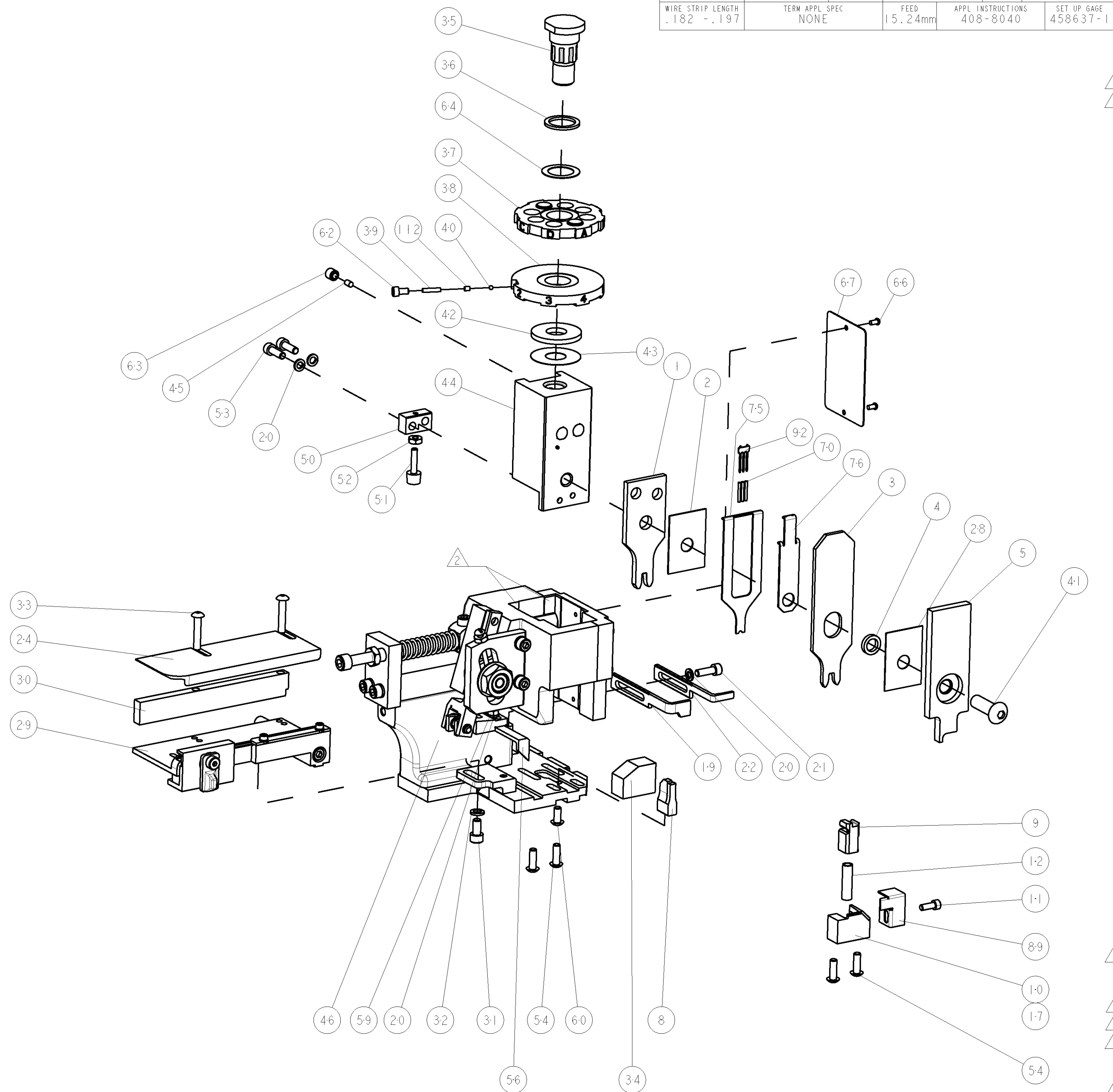
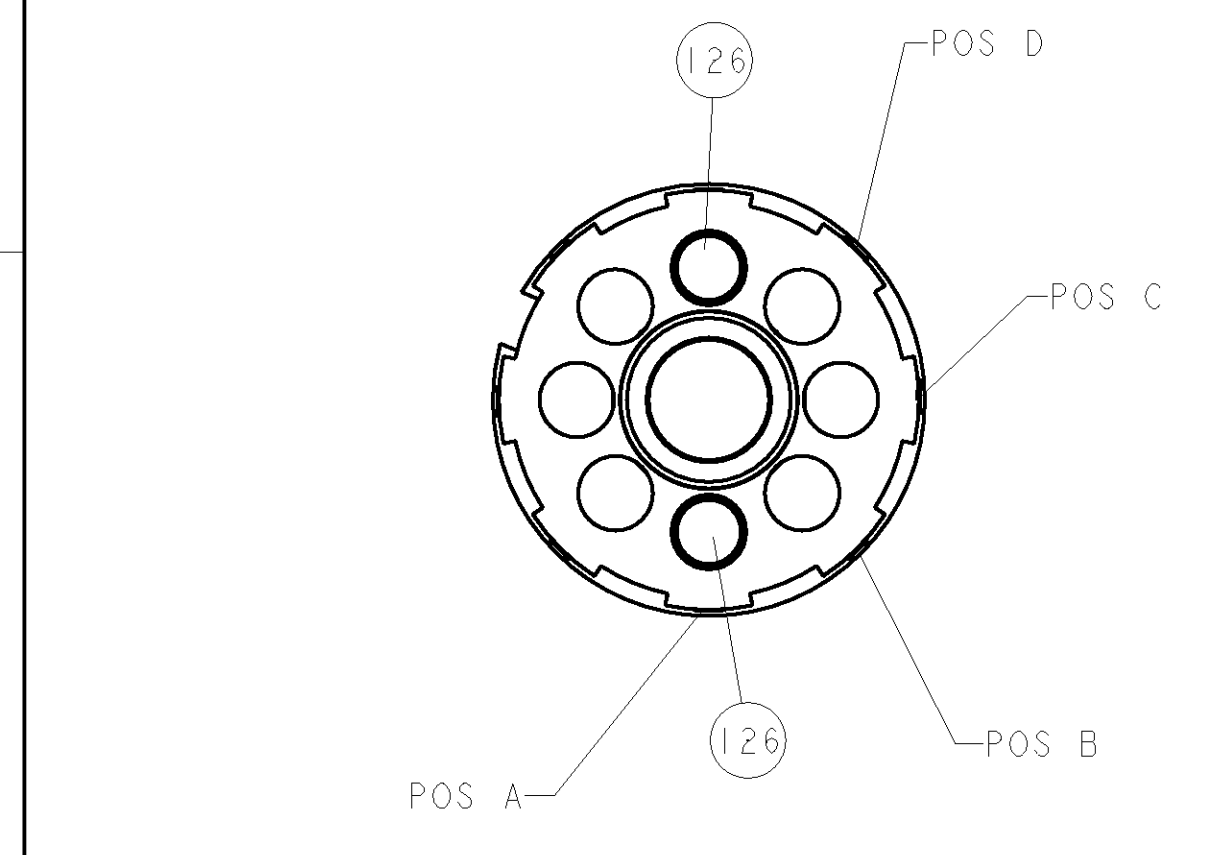
| PART NUMBER | REV | FIRST USED | POWER UNIT    | FEED TYPE | DESCRIPTION        |
|-------------|-----|------------|---------------|-----------|--------------------|
| 1852254-1   | E   | 122500-1   | LEADMAKER     | POST FEED | CUTS CARRIER       |
| 1852254-2   | E   | 565435-5   | BENCH MODEL K | PRE FEED  | CUTS CARRIER       |
| 1852254-3   | E   | 354500-1   | BENCH MODEL G | PRE FEED  | CUTS CARRIER       |
| 1852254-6   | E   | 122500-1   | LEADMAKER     | POST FEED | CONTINUOUS CARRIER |
| 7-1852254-7 | B   | -          | -             | -         | SPARE PARTS        |



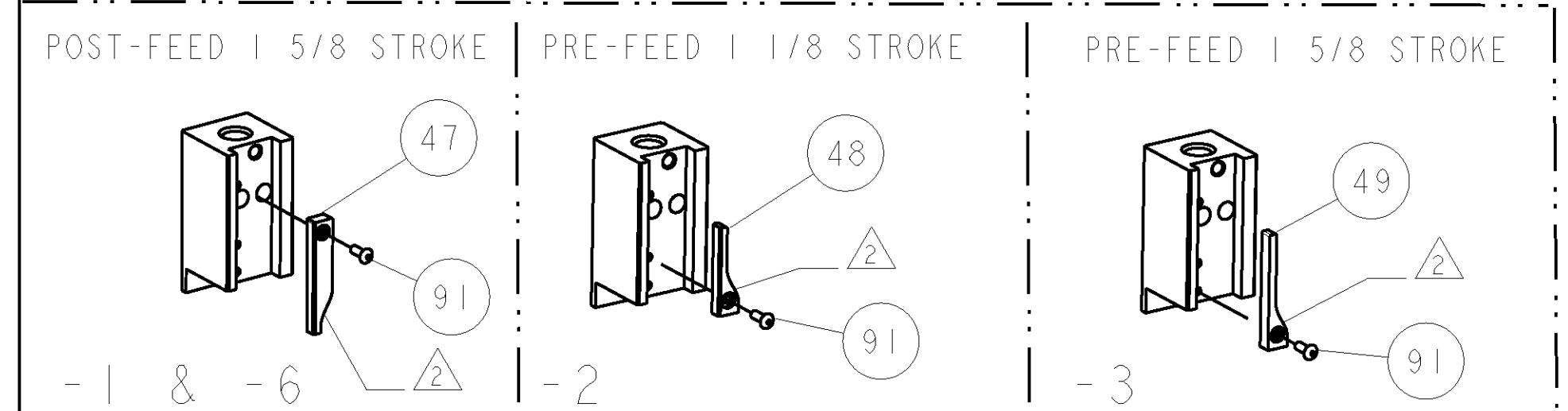
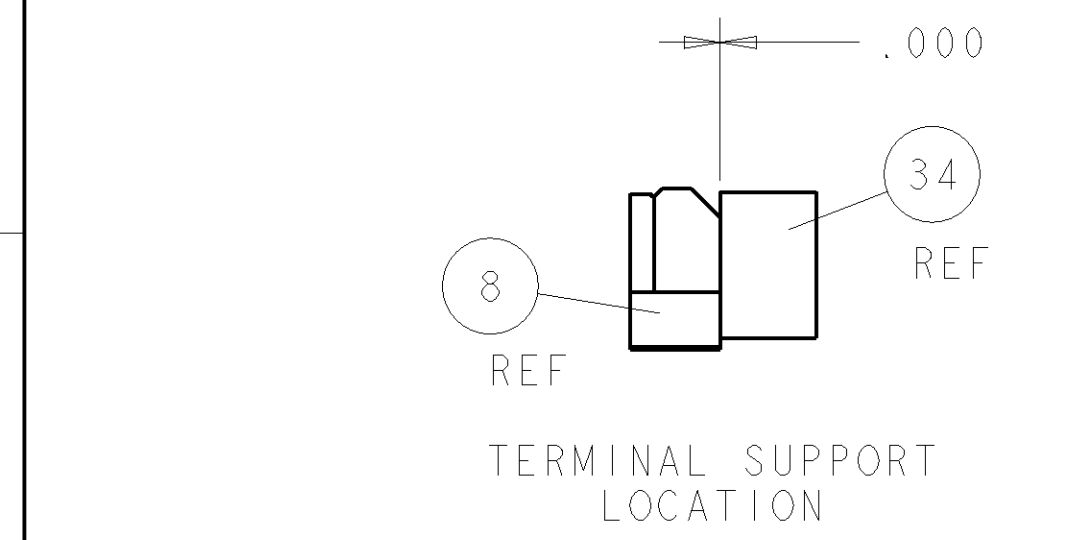
| TERMINAL NAME: APEX FEMALE 2.8mm TERMINAL |           |                                |                                |                   |             |
|---|-----------|--------------------------------|--------------------------------|-------------------|-------------|
| TYCO PN                                   | MFG PN    | FCI TERMINAL - FCI CRIMP SPECS |                                |                   |             |
| 1949031-1                                 | 5400-1000 | PAD LTR                        | CRIMP HEIGHT                   | WIRE SIZE         |             |
| 1949031-2                                 | 5400-1002 | A                              | 2.25mm ± .05mm [ .089 ± .002 ] | 10 AWG            |             |
| 1949031-3                                 | 5400-1003 | B                              | -                              | -                 |             |
| 1949031-4                                 | 5400-1008 | C                              | -                              | -                 |             |
| 1949031-5                                 | 5400-1009 | D                              | -                              | -                 |             |
| 1949031-6                                 | 5400-1010 | -                              | -                              | -                 |             |
| WIRE STRIP LENGTH                         |           | TERM APPL SPEC                 | FEED                           | APPL INSTRUCTIONS | SET UP GAGE |
| .182 - .197                               |           | NONE                           | 15.24mm                        | 408-8040          | 458637-1    |

| LOC | REV | DATE | BY | CHKD | APPD |
|-----|-----|------|----|------|------|
| A   | 66  |      |    |      |      |

△ RECOMMENDED SPARE PARTS  
 △ GREASE LIGHTLY  
 △ GUARD MUST BE IN PLACE WHEN OPERATING APPLICATOR IN A BENCH MACHINE



FEED TRACK POSITION



| QTY | REV | DATE | BY  | CHKD | APPD | DESCRIPTION | ITEM NO                               |     |
|-----|-----|------|-----|------|------|-------------|---------------------------------------|-----|
| -   | 2   | 2    | 2   | 2    | -    | 5-354778-7  | PIN, WIRE DISC, .2780                 | 126 |
| -   | -   | -    | REF | -    | -    | 455749-1    | GUARD WINDOW                          | 116 |
| -   | -   | -    | REF | -    | -    | 679532-1    | INSERT, GUARD                         | 115 |
| -   | 1   | 1    | 1   | 1    | -    | 690603-1    | SPRING ASSIST AMP-O-MATOR APPLICATOR  | 112 |
| -   | 1   | 1    | 1   | 1    | -    | 1424350-1   | HOLDER, PIN, WIRED                    | 92  |
| -   | 1   | 1    | 1   | 1    | -    | 1-21002-7   | SCR, BTN SKT HD CAP 6-32 X .375       | 91  |
| -   | 1   | 1    | 1   | 1    | -    | 318563-1    | GUARD, FRONT CHIP                     | 89  |
| -   | 1   | 1    | 1   | 1    | -    | 1490524-2   | DEPRESSOR, SPACER                     | 76  |
| -   | 1   | 1    | 1   | 1    | -    | 1490525-2   | DEPRESSOR, WIRE                       | 75  |
| -   | 1   | 1    | 1   | 1    | -    | 4088040     | SF APPL INST 408-8040                 | 72  |
| -   | 1   | 1    | 1   | 1    | -    | 217238-1    | GENERAL INSTRUCTION PKG               | 71  |
| -   | 3   | 3    | 3   | 3    | -    | 1-23147-4   | SPRING, COMPRESSION                   | 70  |
| -   | 1   | 1    | 1   | 1    | -    | 461264-1    | PLATE, IDENTIFICATION                 | 67  |
| -   | 2   | 2    | 2   | 2    | -    | 21017-2     | SCREW, DRIVE                          | 66  |
| -   | 1   | 1    | 1   | 1    | -    | 986950-1    | WASHER, FLAT PRECISION                | 64  |
| -   | 1   | 1    | 1   | 1    | -    | 21009-2     | SCR, SET, SELF LOCKING 1/4-20 X .250  | 63  |
| -   | 1   | 1    | 1   | 1    | -    | 23030-1     | SCR, SKT HD CAP 6-32 X .25            | 62  |
| -   | 1   | 1    | 1   | 1    | -    | 22733-8     | SCR, BHSC, SELF-LOCKING, 8-32 X .375  | 60  |
| -   | 1   | 1    | 1   | 1    | -    | 2-22603-0   | SCR, HEX HD CAP 8-32 X .312           | 59  |
| -   | 1   | 1    | 1   | 1    | -    | 458537-2    | PAWL, FEED                            | 56  |
| -   | 4   | 4    | 4   | 4    | -    | 2-21002-2   | SCR, BTN SKT HD CAP 8-32 X .500       | 54  |
| -   | 2   | 2    | 2   | 2    | -    | 2-21000-7   | SCR, SKT HD CAP 8-32 X .500           | 53  |
| -   | 1   | 1    | 1   | 1    | -    | 21018-5     | NUT, HEX, REG 6-32                    | 52  |
| -   | 1   | 1    | 1   | 1    | -    | 811242-2    | BUMPER, HOLD DOWN                     | 51  |
| -   | 1   | 1    | 1   | 1    | -    | 690753-1    | SPACER, TONKER                        | 50  |
| -   | -   | -    | -   | -    | -    | 690602-6    | CAM, PRE FEED, 1/8                    | 49  |
| -   | -   | -    | -   | -    | -    | 690602-5    | CAM, PRE FEED, 1/8                    | 48  |
| -   | -   | -    | -   | -    | -    | 690501-4    | CAM, POST-FEED 1/8                    | 47  |
| -   | 1   | 1    | 1   | 1    | -    | 459456-2    | APPL. BASIC SUB ASSY (SIDE WISE MOCA) | 46  |
| -   | 1   | 1    | 1   | 1    | -    | 690191-1    | PLUG, NYLON                           | 45  |
| -   | 1   | 1    | 1   | 1    | -    | 455673-1    | RAM, SIDE FEED                        | 44  |
| -   | 1   | 1    | 1   | 1    | -    | 690125-1    | SHIM SUB-ASSY                         | 43  |
| -   | 1   | 1    | 1   | 1    | -    | 690124-1    | WASHER, RAM (.115)                    | 42  |
| -   | 1   | 1    | 1   | 1    | -    | 7-21002-9   | SCR, BTN SKT HD CAP 5/16-24 X 1.00    | 41  |
| -   | 1   | 1    | 1   | 1    | -    | 23241-6     | BALL, STEEL                           | 40  |
| -   | 1   | 1    | 1   | 1    | -    | 690170-1    | SPRING, COMPRESSION                   | 39  |
| -   | 1   | 1    | 1   | 1    | -    | 690142-4    | DISC, INSULATION                      | 38  |
| -   | 1   | 1    | 1   | 1    | -    | 354777-1    | WIRE DISC, ASSEMBLY                   | 37  |
| -   | 1   | 1    | 1   | 1    | -    | 22480-5     | SPRING, COMPRESSION                   | 36  |
| -   | 1   | 1    | 1   | 1    | -    | 690212-1    | POST, RAM                             | 35  |
| -   | 1   | 1    | 1   | 1    | -    | 690786-3    | TERMINAL SUPPORT                      | 34  |
| -   | 2   | 2    | 2   | 2    | -    | 9-21002-6   | SCR, BTN SKT HD CAP 8-32 X .875       | 33  |
| -   | 1   | 1    | 1   | 1    | -    | 21024-5     | WASHER, SPRG LOCK, REG NO 10          | 32  |
| -   | 1   | 1    | 1   | 1    | -    | 3-21000-4   | SCR, SKT HD CAP 10-32 X .375          | 31  |
| -   | 1   | 1    | 1   | 1    | -    | 1-1320908-0 | SPACER, STRIP GUIDE                   | 30  |
| -   | 1   | 1    | 1   | 1    | -    | 1633091-7   | ASSEMBLY, STRIP GUIDE                 | 29  |
| -   | 1   | 1    | 1   | 1    | -    | 455888-4    | SPACER, CRIMPER                       | 28  |
| -   | 1   | 1    | 1   | 1    | -    | 1320928-4   | PLATE, STRIP GUIDE                    | 24  |
| -   | 1   | -    | -   | -    | -    | 690472-2    | STRIPPER                              | 22  |
| -   | 1   | 1    | 1   | 1    | -    | 2-21000-7   | SCR, SKT HD CAP 8-32 X .500           | 21  |
| -   | 4   | 4    | 4   | 4    | -    | 21024-4     | WASHER, SPRG LOCK, REG NO 8           | 20  |
| -   | -   | 1    | 1   | -    | -    | 691353-1    | STRIPPER                              | 19  |
| -   | 1   | -    | -   | -    | -    | 679625-1    | SHEAR HOLDER, FRONT (NO CUT)          | 17  |
| -   | 1   | 1    | 1   | 1    | -    | 3-22280-3   | SPRING, COMPRESSION                   | 12  |
| -   | 1   | 1    | 1   | 1    | -    | 1-21000-9   | SCR, SKT HD CAP 6-32 X .375           | 11  |
| -   | -   | 1    | 1   | 1    | -    | 690459-1    | SHEAR HOLDER, FRONT                   | 10  |
| -   | 1   | 1    | 1   | 1    | -    | 1-454276-9  | FLOATING SHEAR, FRONT                 | 9   |
| -   | 1   | 1    | 1   | 1    | -    | 1633330-7   | ANVIL, COMBINATION                    | 8   |
| -   | 1   | 1    | 1   | 1    | -    | 2-455889-0  | DEPRESSOR, SHEAR                      | 5   |
| -   | 1   | 1    | 1   | 1    | -    | 238011-4    | BLOCK, CRIMPER SPACER                 | 4   |
| -   | 1   | 1    | 1   | 1    | -    | 1-1633471-6 | CRIMPER, INSULATION F                 | 3   |
| -   | 1   | 1    | 1   | 1    | -    | 455888-5    | SPACER, CRIMPER                       | 2   |
| -   | 1   | 1    | 1   | 1    | -    | 3-456410-6  | CRIMPER, WIRE PREMIUM                 | 1   |

THIS IS SUBJECT TO CHANGE WITHOUT NOTICE AND WITHOUT OBLIGATION. DIMENSIONS ARE IN INCHES UNLESS OTHERWISE SPECIFIED.

DATE: 19APR2006  
 DWN: G. BALLEW  
 CHK: T. BENCHOFFE  
 APPD: T. BENCHOFFE

PRODUCT SPEC: SIDE FEED HDM APPLICATOR  
 APPLICATION SPEC: -  
 MATERIAL: -  
 FINISH: -

WEIGHT: -  
 SCALE: 3:5  
 SHEET: 1 OF 1  
 REV: E

TYCO ELECTRONICS  
 Harrisburg, PA 17105-3608

00779 ©=1852254

# Mouser Electronics

Authorized Distributor

Click to View Pricing, Inventory, Delivery & Lifecycle Information:

[TE Connectivity:](#)

[1852254-1](#)