

PLEASE CHECK WWW.MOLEX.COM FOR LATEST PART INFORMATION

Part Number: [5031493000](#)
Status: **Active**
Overview: [CLIK-Mate Wire-to-Board Connectors](#)
Description: 1.50mm Pitch CLIK-Mate Wire-to-Board Housing, Dual Row, Positive Lock, 30 Circuits

Documents:

3D Model	Application Specification AS-503149-001-001 (PDF)
Drawing (PDF)	Packaging Specification SPK-503149-001-001 (PDF)
Product Specification PS-505406-001-001 (PDF)	RoHS Certificate of Compliance (PDF)
Application Specification 5031490000-000 (PDF)	

Agency Certification

UL E29179

General

Product Family	Crimp Housings
Series	503149
Application	Signal, Wire-to-Board
Overview	CLIK-Mate Wire-to-Board Connectors
Product Name	CLIK-Mate
UPC	884982019621

Physical

Circuits (maximum)	30
Color - Resin	Beige
Gender	Plug
Glow-Wire Capable	No
Keying to Mating Part	Yes
Lock to Mating Part	Yes
Net Weight	900.000/mg
Number of Rows	2
Packaging Type	Bag
Panel Mount	No
Pitch - Mating Interface	1.50mm
Polarized to Mating Part	Yes
Stackable	No
Temperature Range - Operating	-40°C to +105°C

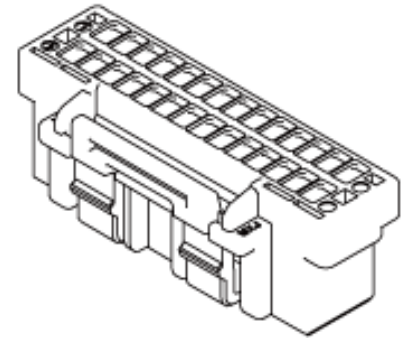
Electrical

Current - Maximum per Contact 2.0A

Material Info

Reference - Drawing Numbers

Application Specification	5031490000-000, AS-503149-001-001
Packaging Specification	SPK-503149-001-001
Product Specification	PS-505406-001-001
Sales Drawing	SD-503149-001



Series image - Reference only

EU ELV

Not Relevant

EU RoHS

Compliant

REACH SVHC

Not Contained Per
-ED/01/2018 (15
January 2018)

Halogen-Free

Status

Not Low-Halogen

Need more information on product environmental compliance?

Email productcompliance@molex.com
Please visit the [Contact Us](#) section for any non-product compliance questions.

China ROHS

ELV

RoHS Phthalates

China RoHS

Green Image

Not Relevant

Not Contained

Search Parts in this Series

[503149](#) Series

Mates With

[503148](#) Surface Mount, Right Angle Receptacle
 [503154](#) , [505406](#) Surface Mount, Vertical Receptacle

Use With

[502579](#) Crimp Terminal for 24-28 AWG .
[503429](#) Crimp Terminal for 26-30 AWG

Mouser Electronics

Authorized Distributor

Click to View Pricing, Inventory, Delivery & Lifecycle Information:

[Molex:](#)

[503149-3000](#)