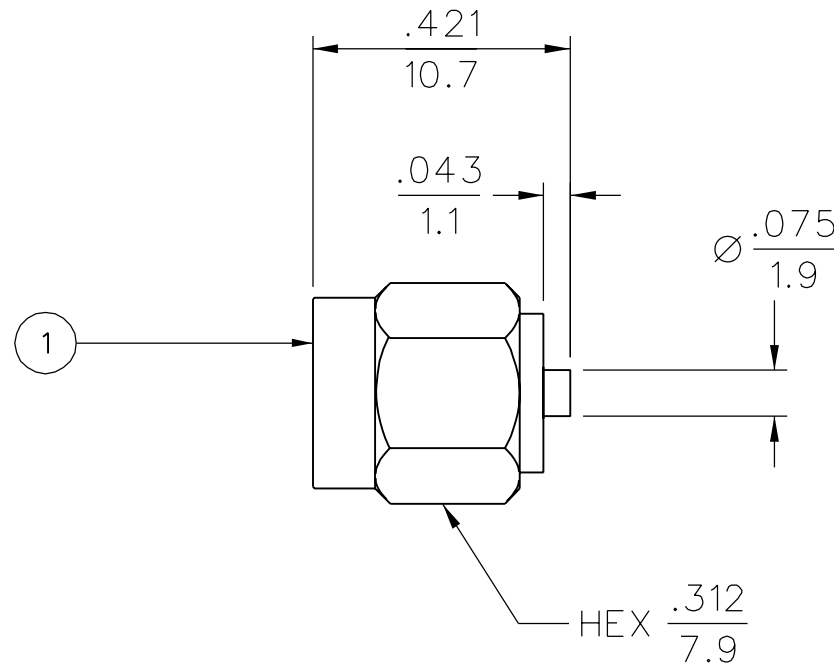


PART NUMBER	ITEM ① UMC TO SMA JACK CONVERSION ADAPTER
134-1019-361	BODY - STAINLESS STEEL - GOLD PLATED CONTACT - BRASS - GOLD PLATED NUT - STAINLESS STEEL - PASSIVATED INSULATOR - FLUORINE PLASTICS GASKET - RUBBER

DRAWING NO.	
B- 134-1019-361/370	
0	REVISIONS
ENGINEERING RELEASE	
1	12-1-06 P A T S B D R J B P D W 12-27-06 ECN 50793



CUSTOMER DRAWING

THIS DRAWING TO BE INTERPRETED
PER ASME Y 14.5M - 1994

"μSTATION"

COMPANY CONFIDENTIAL

NOTES:

1. SPECIFICATIONS:

IMPEDANCE: 50 OHMS
FREQUENCY RANGE: 0-6 GHz
VSWR: 1.30 MAX AT 0-6 GHz

MECHANICAL (UMC):

COMPATIBILITY: MATES WITH U.FL SERIES
DISENGAGEMENT FORCE (MIN): 0.15 N (FEMALE CONTACT)
DURABILITY: 3000 CYCLES

ENVIRONMENTAL:

TEMPERATURE RANGE: -40° C TO +90° C

2. APPLICATION:

PLEASE USE THIS CONNECTOR FOR
MEASURING THE PROPAGATION
PERFORMANCE.

TOLERANCE UNLESS OTHERWISE SPECIFIED		DRAWN BY	DATE
DECIMALS	mm	SBD	11/29/06
.XX	_____	CHECKED BY	DATE
.XXX	REF _____	RJB	12-13-06
MATL	_____	APPROVED BY	DATE
FINISH	_____	PDW	12-22-06
		RELEASE DATE	12-27-06
		U/M INCH/mm	SCALE 3:1

 Cinch CONNECTIVITY SOLUTIONS a bel group		Cinch Connectivity Solutions P.O. Box 1732 Waseca, MN 56093 1-800-247-8256
TITLE		
UMC JACK TO SMA PLUG CONVERSION JACK ADAPTER		
SHEET	DRAWING NO.	
2 OF 2	B- 134-1019-361/370	

Mouser Electronics

Authorized Distributor

Click to View Pricing, Inventory, Delivery & Lifecycle Information:

[Cinch Connectivity Solutions:](#)

[134-1019-361](#)