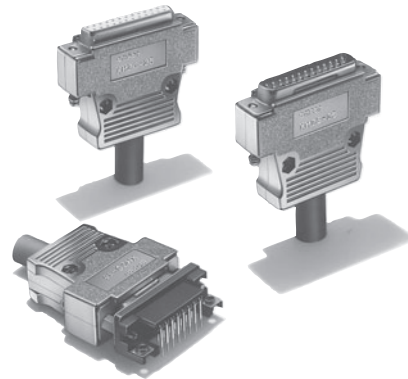


D-sub Connectors Are Ideal for Office Automation Interfacing.

- Shielded against EMI.
- Metallized plastic Hood (XM2S) provides excellent noise protection.
- A new line of multi-hole, ferrite-core Connectors (XM3B-F) offers space-saving design and superior noise protection at high frequency.
- Fitted in a rugged, compact metal shell.
- Many kinds of standard Anchors and grounding fixtures available.
- The XM2/XM3 conform to UL standards (No. E103202) (XM2S and some other models are not included)



RoHS Compliant

Terminology

● EMI

Abbreviation of ElectroMagnetic Interference (noise)

● Metallization

Here, metallization refers to plating over the plastic hood.

● Shielded connector

Connector having a structure that can be grounded.

● Beating

A processing technique that ensures the contact amongst the shells by beating a part of the shell.

● ESD

Abbreviation of ElectroStatic Discharge

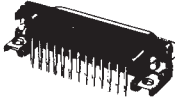
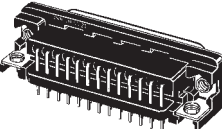
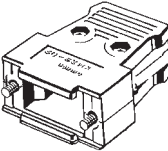
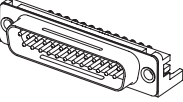
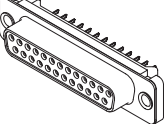
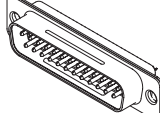
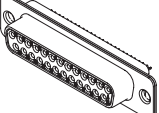
● Grounding structure

Here, grounding structure refers to a structure where an unmetallized hood can be grounded by an grounding plate.

● Shell

Refers to the case covering the connector. Here, the shell refers to the metal parts attached to the mating end.

Connectors

Model	XM3B	XM3B-F	XM2S	
Appearance	 Sockets with right-angle DIP terminals	 Sockets with right-angle DIP terminals (with ferrite core)	 Hoods	
Reference page	3 to 4	5	10	
Model	XM3C	XM3F	XM3A	XM3D
Appearance	 Plugs with right-angle DIP terminals	 Sockets with straight DIP terminals	 Plugs with solder-cup terminals	 Sockets with solder-cup terminals
Reference page	6 to 7	8	9	

■ Ratings and Characteristics

Model	Plugs with Solder Cup Terminals: XM3A Socket with right-angle DIP Terminals: XM3B Socket with right-angle DIP Terminals (with ferrite core): XM3B-F Plugs with Right-angle DIP Terminals: All XM3C models except those with 37 pins XM3C-0922-□□□ XM3C-1522-□□□ XM3C-2522-□□□ Sockets with Solder Cup Terminals: XM3D Sockets with Straight DIP Terminals: XM3F	Plugs with Right-angle DIP Terminals: XM3C models with 37 pins XM3C-3722-□□□	Hoods XM2S
Item			
Rated current	5 A	3 A	
Rated voltage	300 VAC		
Contact resistance	15 mΩ max. (at 20 mVDC, 100 mA max.)		
Insulation resistance	1,000 MΩ min. (at 500 V DC)		
Dielectric strength	1,000 VAC for 1 min (leakage current: 1 mA max.)		---
Total insertion force	Number of pins × 3.33 N max		
Removal force	0.29 N min. (for gauge diameter of 0.99 mm)		
Insertion durability	200 times		
Ambient operating temperature	-55°C to 105°C (with no icing)		-25°C to 85°C
Shield performance	Mounted in panel: 25 dB min. (30 to 900 MHz) Mounted on board: 20 dB min. (30 to 300 MHz)		---

■ Materials and Finish

Item	Model	XM3B	XM3B-F	XM3C	XM3F	XM3A	XM3D	XM2S
Housing		Fiber-glass reinforced PBT resin (UL94V-0)/black				Fiber-glass reinforced PBT resin (UL94V-0)/Milky white		ABS resin/nickel plated
Contacts	Mating end	Phosphor bronze/nickel base, gold plated (0.4 μm)				Bronze/nickel base, gold plated (0.4 μm)	Phosphor bronze/nickel base, gold plated (0.4 μm)	---
	Terminals	Phosphor bronze/nickel base, tin plated (2 μm)		Phosphor bronze/nickel base, tin plated (3 μm)		Bronze/nickel base, tin plated (3 μm)	Phosphor bronze/nickel base, tin plated (3 μm)	
Shell		Steel/nickel						

■ Applicable Wires

The applicable wires for solder cup terminals are AWG 22 to 28 (solid or stranded).

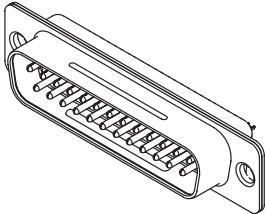
XM3A Plugs with Solder-cup Terminals

XM3D Sockets with Solder-cup Terminals

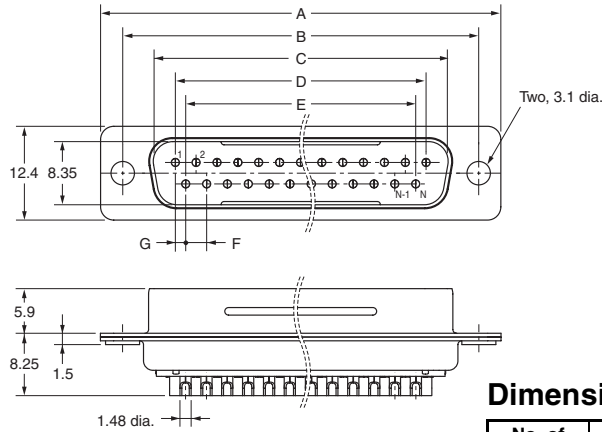
■ Dimensions

(unit: mm)

XM3A-□□21 Plugs/Solder-cup Terminals



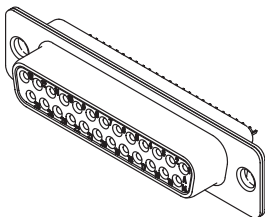
Note: 25-contact model shown above.



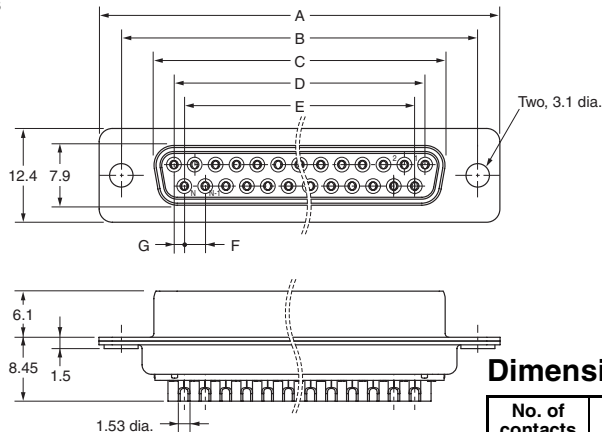
Dimensions (XM3A)

No. of contacts	A	B	C	D	E	F	G
9	30.7	24.99	16.91	10.96	8.22	2.74	1.37
15	39.0	33.32	25.25	19.18	16.44	2.74	1.37
25	52.9	47.04	38.96	33.12	30.36	2.76	1.38
37	69.2	63.50	55.42	49.68	46.92	2.76	1.38

XM3D-□□21 Sockets, Solder-cup Terminals



Note: 25-contact model shown above.



Dimensions (XM3D)

No. of contacts	A	B	C	D	E	F	G
9	30.7	24.99	16.33	10.96	8.22	2.74	1.37
15	39.0	33.32	24.66	19.18	16.44	2.74	1.37
25	52.9	47.04	38.38	33.12	30.36	2.76	1.38
37	69.2	63.50	54.84	49.68	46.92	2.76	1.38

■ Ordering Information

Appearance	Plugs	Sockets
No. of contacts		
9	XM3A-0921	XM3D-0921
15	XM3A-1521	XM3D-1521
25	XM3A-2521	XM3D-2521
37	XM3A-3721	XM3D-3721

Mouser Electronics

Authorized Distributor

Click to View Pricing, Inventory, Delivery & Lifecycle Information:

[Omron:](#)

[XM3A-1521](#)