

## SSC Series, Specification Grade Discrete Plug-in, Time Delay Relay

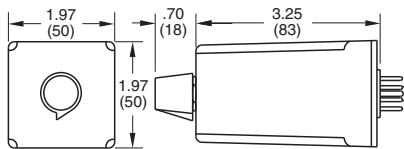


### Product Facts

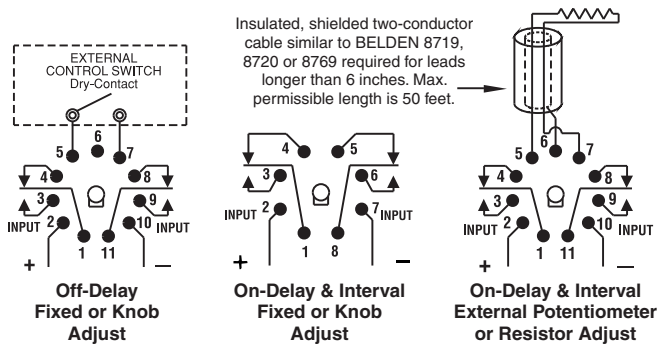
- On-Delay, Off-Delay and Interval timing modes
- 13 timing ranges from 0.1 sec. to 60 min.
- 10A DPDT output contacts
- Excellent repeatability of  $\pm 1\%$  or better.
- Exceptional immunity to transients and noise.
- Wide operating temperature range.
- File 3520, File LR29186



Users should thoroughly review the technical data before selecting a product part number. It is recommended that user also seek out the pertinent approvals files of the agencies/laboratories and review them to ensure the product meets the requirements for a given application.



Outline Dimensions



Wiring Diagrams (Bottom Views)

BELDEN is a trademark of Belden Technologies, Inc.

### Timing Specifications

#### Timing Modes

On-Delay, Off-Delay and Interval.

**Timing Ranges** — 6 to 180 cycles; 0.1 to 3 / 0.1 to 10 / 0.33 to 10 / 1 to 30 / 4 to 120 sec.; 0.33 to 10 / 1 to 30 / 2 to 60 min.; 0.33 to 10 hr. (All are +10%, -1% of maximum values).

**Timing Adjustment** — Knob or fixed time (internal fixed resistor) — all models; customer supplied external potentiometer or resistor — On-Delay and Interval models only.

#### Accuracy

Repeat Accuracy —  $\pm 1\% \pm 0.004$  sec. at any combination of operating temperature and voltage.

Overall Accuracy —  $\pm 5.25\%$  throughout operating temperature and voltage ranges.

**Reset Time** — 25 ms. (minimum deenergized interval for on-delay or off-delay models, or minimum required closure interval for interval models without affecting accuracy.)

**Relay Operate Time** — Off-Delay mode only: 35 ms.

**Relay Release Time** — On-Delay mode only: 20 ms.

### Contact Data @ 25°C

**Arrangements** — 2 Form C (DPDT).

**Rating** — 10A @ 28VDC or 120VAC, resistive; 1/3 HP @ 120/240VAC.

**Expected Mechanical Life** — 10 million operations

**Expected Electrical Life** — 500,000 operations, min., at rated resistive load.

**Initial Dielectric Strength** — Between Terminals and Case — 1,000VAC plus twice the nominal voltage for one minute.

### Input Data @ 25°C

**Voltage** — See Ordering Information section for details.

**Power Requirement** — 3W max.

#### Transient Protection

Non-repetitive transients of the following magnitudes will not cause spurious operation of affect function and accuracy.

Operating Voltage	<0.1 ms	<1 ms
12VDC	1,000V	240V*
12VDC	1,000V	240V*
24VAC/VDC	1,000V	240V*
48 VAC/VDC	1,000V	480V*
120 VAC/VDC	3,000V	2,500V*
240VAC	3,000V	2,500V*

\*Minimum source impedance of 100 ohm

### Environmental Data

#### Temperature Range

Storage — -40°C to +85°C  
Operating — -30°C to +65°C

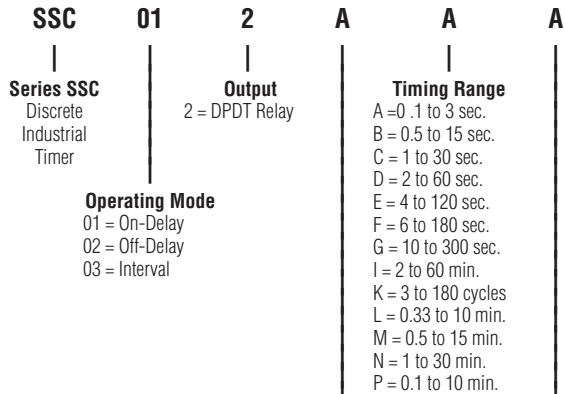
### Mechanical Data

#### Mounting/Termination

8- or 11-pin octal type plug. 8-pin types fit either 27E122 or 27E891, while 11-pin types fit 27E123 or 27E892.

**Weight** — 4 oz. (112g) approximately

### Ordering Information



#### Operating Voltage (+10%, -15%)

- A = 120VAC, 50/60 Hz. / 120VDC
- B = 240VAC, 50/60 Hz. / 24VDC
- E = 24VAC, 50/60 Hz. / 24VDC
- F = 48VAC, 50/60 Hz. / 48VDC
- Q = 12VDC ( $\pm 10\%$ )

#### Timing Adjustment

- A = Knob Adjust
- B = External Potentiometer or resistor (Operating modes 1 and 3 only).
- F = Fixed Times — Specify time delay in seconds per the following examples:  
F9.000 = 9 sec.  
F99.00 = 99 sec.  
F999.0 = 9999 sec.  
F1000 = 1000 sec.

### Authorized distributors are likely to stock the following:

- SSC12AAA      SSC12ACA      SSC12AGA
- SSC12ABA      SSC12ADA      SSC12ALA

# Mouser Electronics

Authorized Distributor

Click to View Pricing, Inventory, Delivery & Lifecycle Information:

[TE Connectivity:](#)

[SSC12ANA](#) [SSC12BCA](#) [SSC12FDA](#) [SSC22ACA](#) [SSC12AIA](#) [SSC12AAA](#) [SSC12ADA](#)