

**JX - 49**

**M**

DRAWING NUMBER

**8**

**X**

**4**

**3**

ISSUE

REPLACES

RELEASE NO. SR 9726

CHECK

18 JULY 61

DES

CHECK

18 JULY 61

DES

CHECK

13 MAY 96

DES

CHECK

18 JULY 61

DES

CHECK

18 JULY 61

DES

CHECK

18 JULY 61

DES

CHECK

18 JULY 61

DES

CHECK

18 JULY 61

DES

CHECK

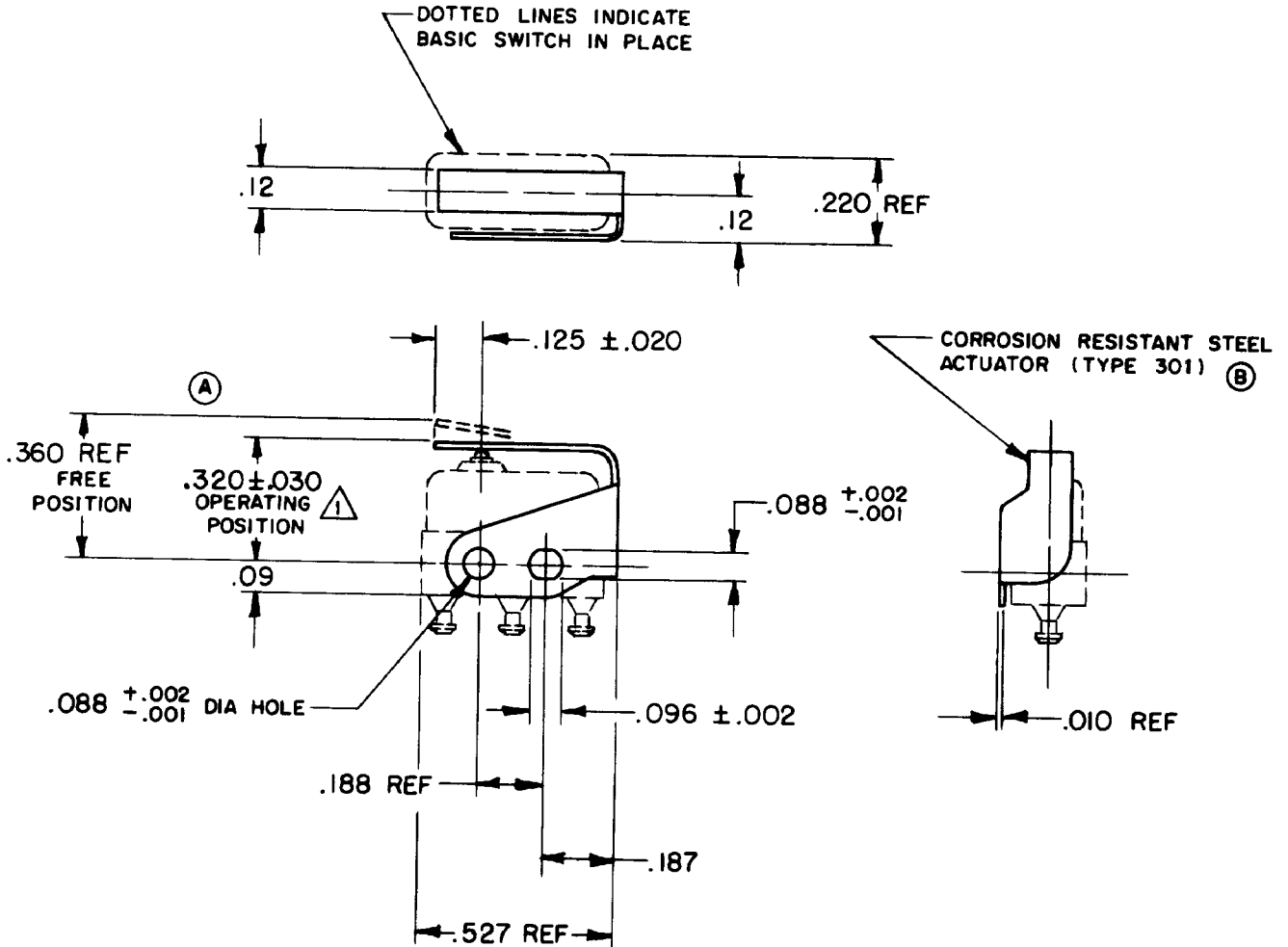
18 JULY 61

DES

CHECK

18 JULY 61

DES



NOTE-  
 ⚠️ SLIGHT ROTATION BETWEEN BASIC AND ACTUATOR MAY BE NECESSARY TO OBTAIN OPERATING POSITION, BASED ON USING NO. 2-56 MACHINE SCREWS

THIS DRAWING COVERS A PROPRIETARY ITEM AND IS THE PROPERTY OF MICRO SWITCH, A DIVISION OF MINNEAPOLIS-HONEYWELL REGULATOR CO. THIS DRAWING IS NOT TO BE COPIED OR USED WITHOUT THE APPROVAL OF MICRO SWITCH.

**CHARACTERISTICS** WITH ISXI-T BASIC SWITCH INSTALLED

OPERATING FORCE	----- 7 OZ APPROX
RELEASE FORCE	----- 2 OZ APPROX
DIFFERENTIAL TRAVEL	----- .030 APPROX
OVERTRAVEL	----- .010 MIN

**ELECTRICAL DATA**

CONTACT ARRANGEMENT	BREAK DISTANCE
---------------------	----------------

SCALE 2 TO 1

DO NOT SCALE PRINT

UNLESS OTHERWISE SPECIFIED  
 DIMENSIONS ARE IN INCHES  
**TOLERANCES ARE:**  
 ONE PLACE (.0) ±.030  
 TWO PLACE (.00) ±.018  
 THREE PLACE (.000) ±.008  
 ANGLES ±

WEIGHT

# Mouser Electronics

Authorized Distributor

Click to View Pricing, Inventory, Delivery & Lifecycle Information:

[Honeywell:](#)

[JX-49](#)