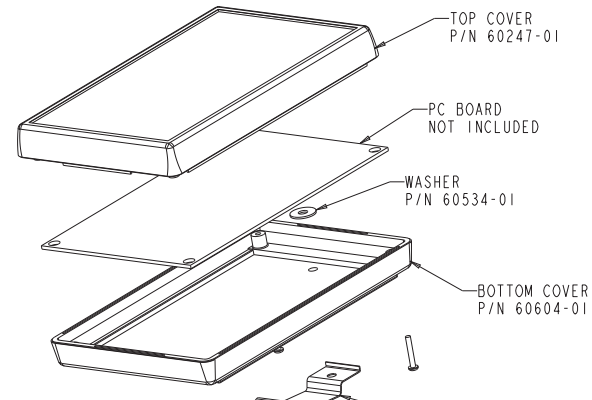


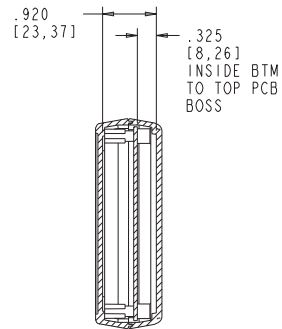
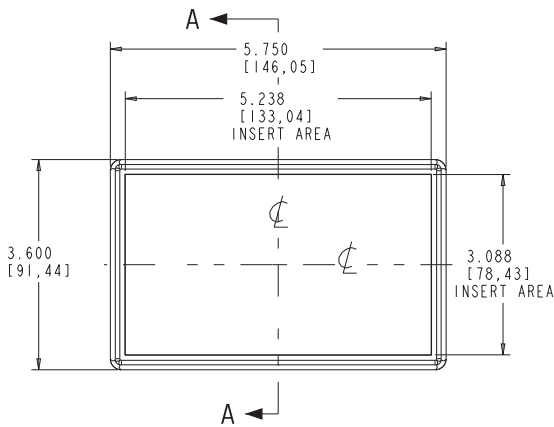
4X ASSEMBLY SCREW
P/N 60228-01

HP

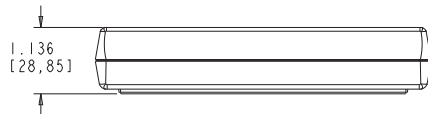
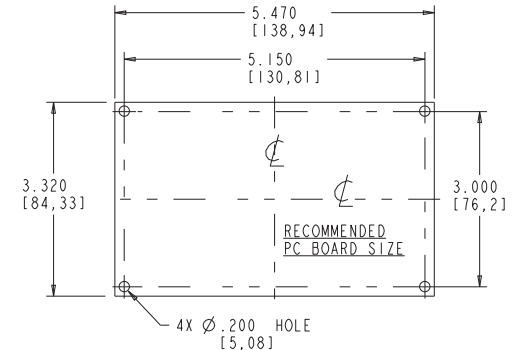
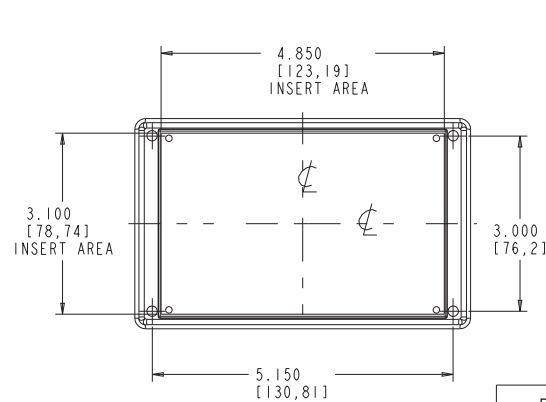


4X ASSEMBLY SCREW
P/N 60228-01

HP-BC



SECTION A-A



PACINTEC®

1-610-361-4200

HP , HP-BC

VISIT **PACINTEC®**
ON THE WORLD WIDE WEB
www.pactecenclosures.com

COLOR / MATERIAL CODE		
COLOR	94HB	94VO
BLACK	000	028
P.C.BONE	039	060

DRAWING NUMBER	REV
60278	B

Mouser Electronics

Authorized Distributor

Click to View Pricing, Inventory, Delivery & Lifecycle Information:

[PacTec:](#)

[60616-510-000 HP Black Kit](#)