

# SURFACE MOUNT LED LAMP STANDARD BRIGHT 1206 (Inner Lens)

QTLP651C-2 HER

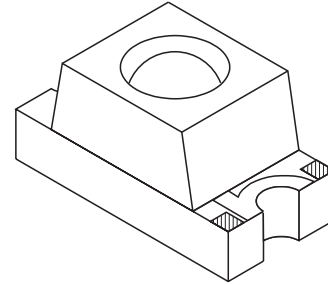
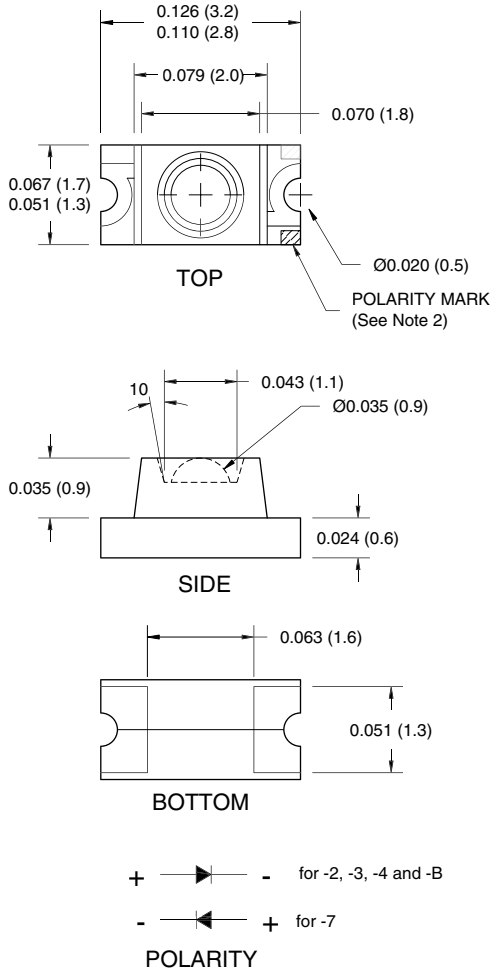
QTLP651C-3 Yellow

QTLP651C-4 Green

QTLP651C-7 AlGaAs Red

QTLP651C-B Blue

## PACKAGE DIMENSIONS



**NOTE:**

1. Dimensions for all drawings are in inches (mm).
2. Cathode for -2, -3, -4 and B. Anode for -7.

## APPLICATIONS

- Keypad backlighting
- Push-button backlighting
- LCD backlighting

## DESCRIPTION

These surface mount chip LEDs are designed to fit industry standard footprint. The package features a recessed, inner lens that focuses light output, offering greater luminous intensity for direct viewing.

## FEATURES

- Small footprint - 3.0(L) X 1.5(W) X 1.5(H) mm
- Narrow viewing angle of 20°
- Water clear optics
- Moisture-proof packaging
- Available in 0.315" (8mm) width tape on 7" (178mm) diameter reel; 2,000 units per reel

# SURFACE MOUNT LED LAMP

## STANDARD BRIGHT 1206 (Inner Lens)

QTLP651C-2 HER

QTLP651C-3 Yellow

QTLP651C-4 Green

QTLP651C-7 AlGaAs Red

QTLP651C-B Blue

### ABSOLUTE MAXIMUM RATINGS ( $T_A = 25^\circ\text{C}$ Unless otherwise specified)

Parameter	Symbol	QTLP651C					Units
		-2	-3	-4	-7	-B	
Continuous Forward Current	$I_F$	30	30	30	30	30	mA
Peak Forward Current ( $f = 1.0 \text{ KHz}$ , Duty Factor = 1/10)	$I_{FM}$	160	160	160	180	100	mA
Reverse Voltage ( $I_R = 10 \mu\text{A}$ )	$V_R$	5	5	5	5	5	V
Power Dissipation	$P_D$	84	84	84	72	135	mW
Operating Temperature	$T_{OPR}$	-40 to +85					$^\circ\text{C}$
Storage Temperature	$T_{STG}$	-40 to +90					$^\circ\text{C}$
Lead Soldering Time	$T_{SOL}$	260 for 5 sec					$^\circ\text{C}$

### ELECTRICAL / OPTICAL CHARACTERISTICS ( $T_A = 25^\circ\text{C}$ )

Part Number	Symbol	QTLP651C					Condition
		-2	-3	-4	-7	-B	
Luminous Intensity (mcd)	$I_V$	9	10	20	30	25	$I_F = 10\text{mA}$
Minimum							
Typical		15	18	35	50	35	
Forward Voltage (V)	$V_F$	2.8	2.8	2.8	2.4	4.5	$I_F = 10\text{mA}$
Maximum							
Typical		2.0	2.0	2.1	1.9	3.8	
Wavelength (nm)	$I_P$	635	585	565	660	430	$I_F = 10\text{mA}$
Peak							
Dominant	$I_D$	630	590	570	645	465	
Spectral Line Half Width (nm)	DI	45	35	30	20	65	$I_F = 10\text{mA}$
Viewing Angle ( $^\circ$ )	2U1/2	20	20	20	20	20	$I_F = 10\text{mA}$

# SURFACE MOUNT LED LAMP STANDARD BRIGHT 1206 (Inner Lens)

QTLP651C-2 HER

QTLP651C-3 Yellow

QTLP651C-4 Green

QTLP651C-7 AlGaAs Red

QTLP651C-B Blue

## TYPICAL PERFORMANCE CURVES

Fig. 1 Forward Current vs. Forward Voltage

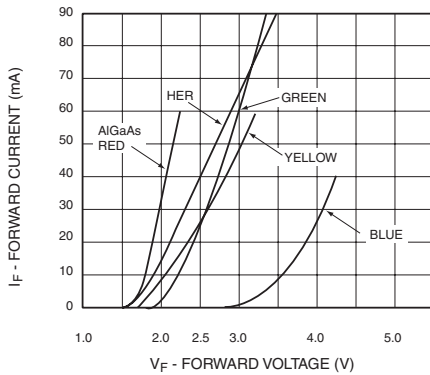


Fig. 2 Relative Luminous Intensity vs. DC Forward Current

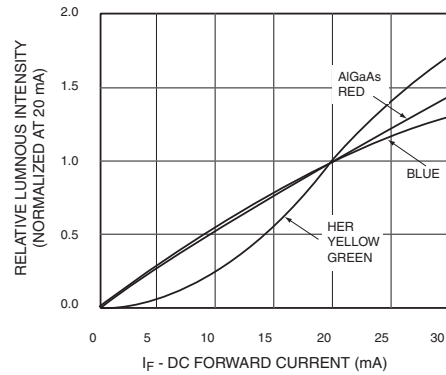


Fig. 3 Relative Intensity vs. Peak Wavelength

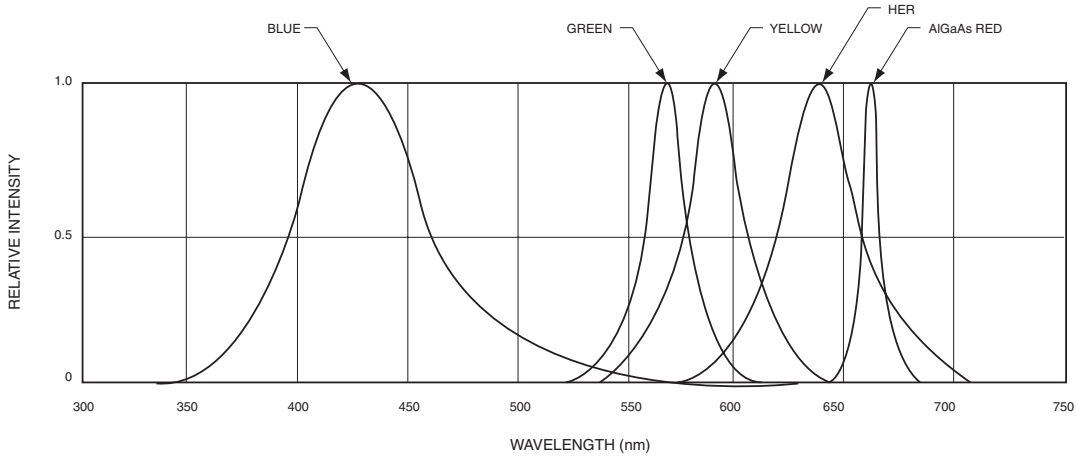


Fig.4 Radiation Diagram

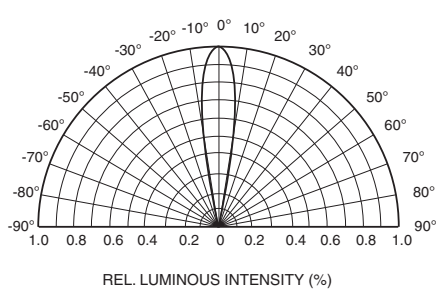
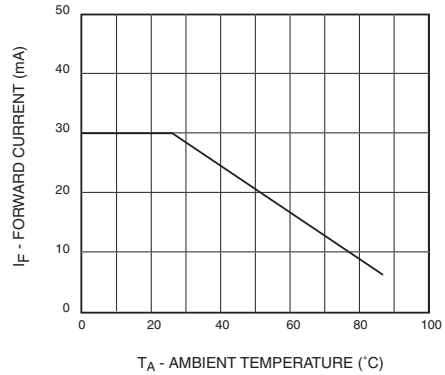


Fig.5 Maximum Forward Current vs. Ambient Temperature



# SURFACE MOUNT LED LAMP

## STANDARD BRIGHT 1206 (Inner Lens)

QTLP651C-2 HER

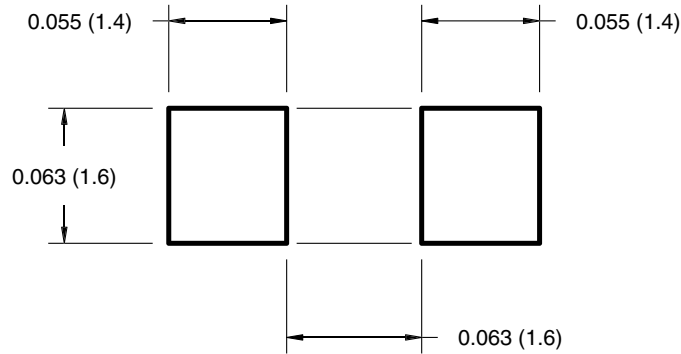
QTLP651C-3 Yellow

QTLP651C-4 Green

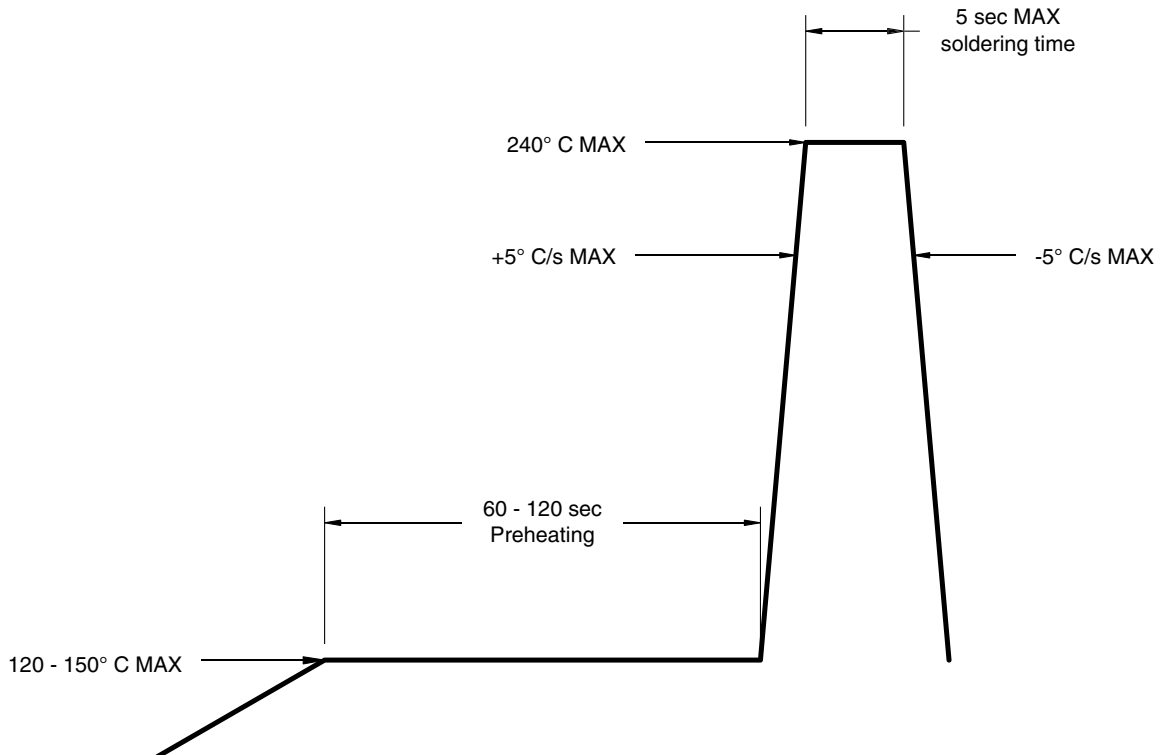
QTLP651C-7 AlGaAs Red

QTLP651C-B Blue

### RECOMMENDED PRINTED CIRCUIT BOARD PATTERN



### RECOMMENDED IR REFLOW SOLDERING PROFILE



# SURFACE MOUNT LED LAMP STANDARD BRIGHT 1206 (Inner Lens)

QTLP651C-2 HER

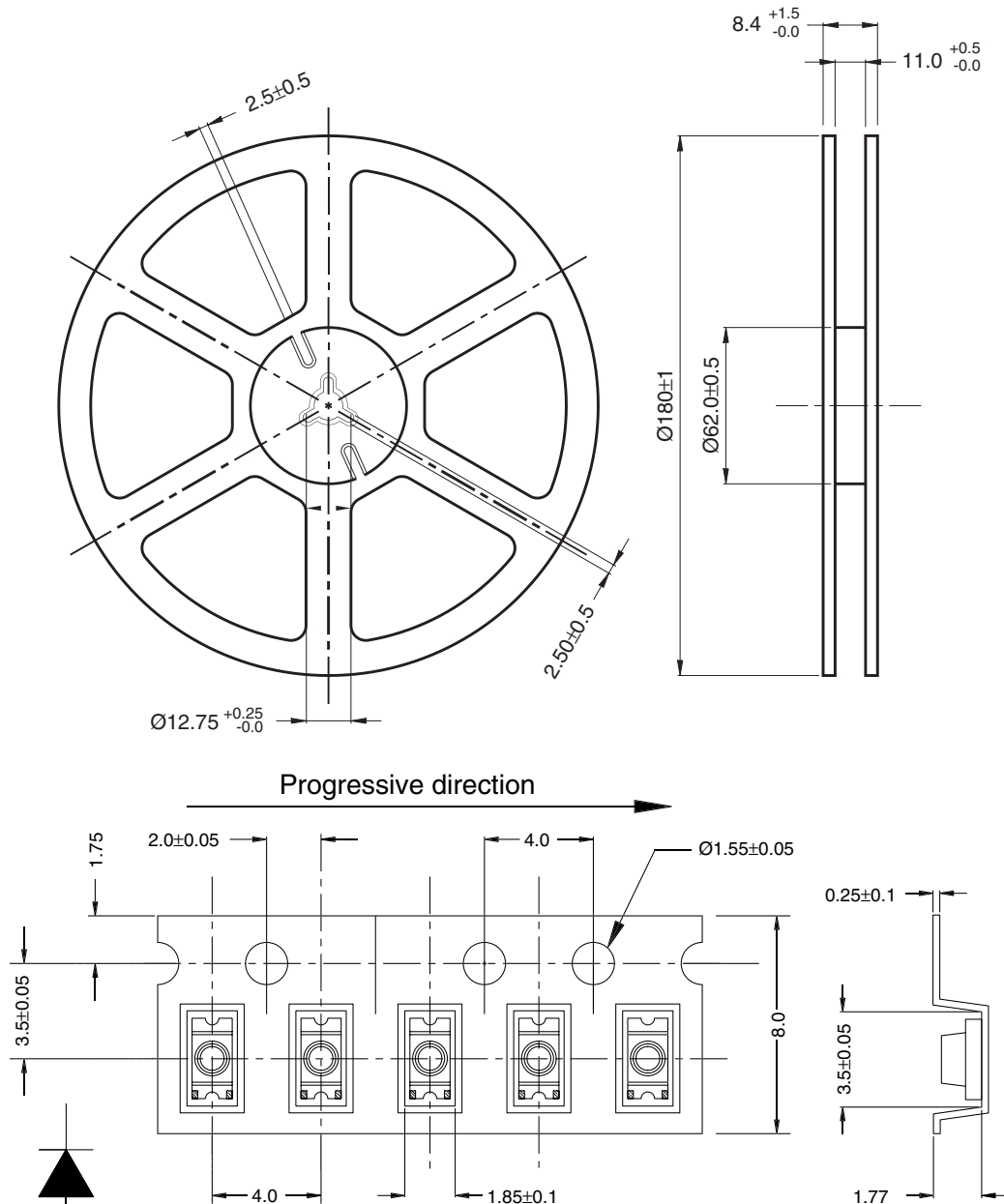
QTLP651C-3 Yellow

QTLP651C-4 Green

QTLP651C-7 AlGaAs Red

QTLP651C-B Blue

## TAPE AND REEL DIMENSIONS



for -7  
Polarity

Dimensional tolerance is  $\pm 0.1$  mm unless otherwise specified

Angle:  $\pm 0.5$

Unit: mm

# SURFACE MOUNT LED LAMP

## STANDARD BRIGHT 1206 (Inner Lens)

QTLP651C-2 HER

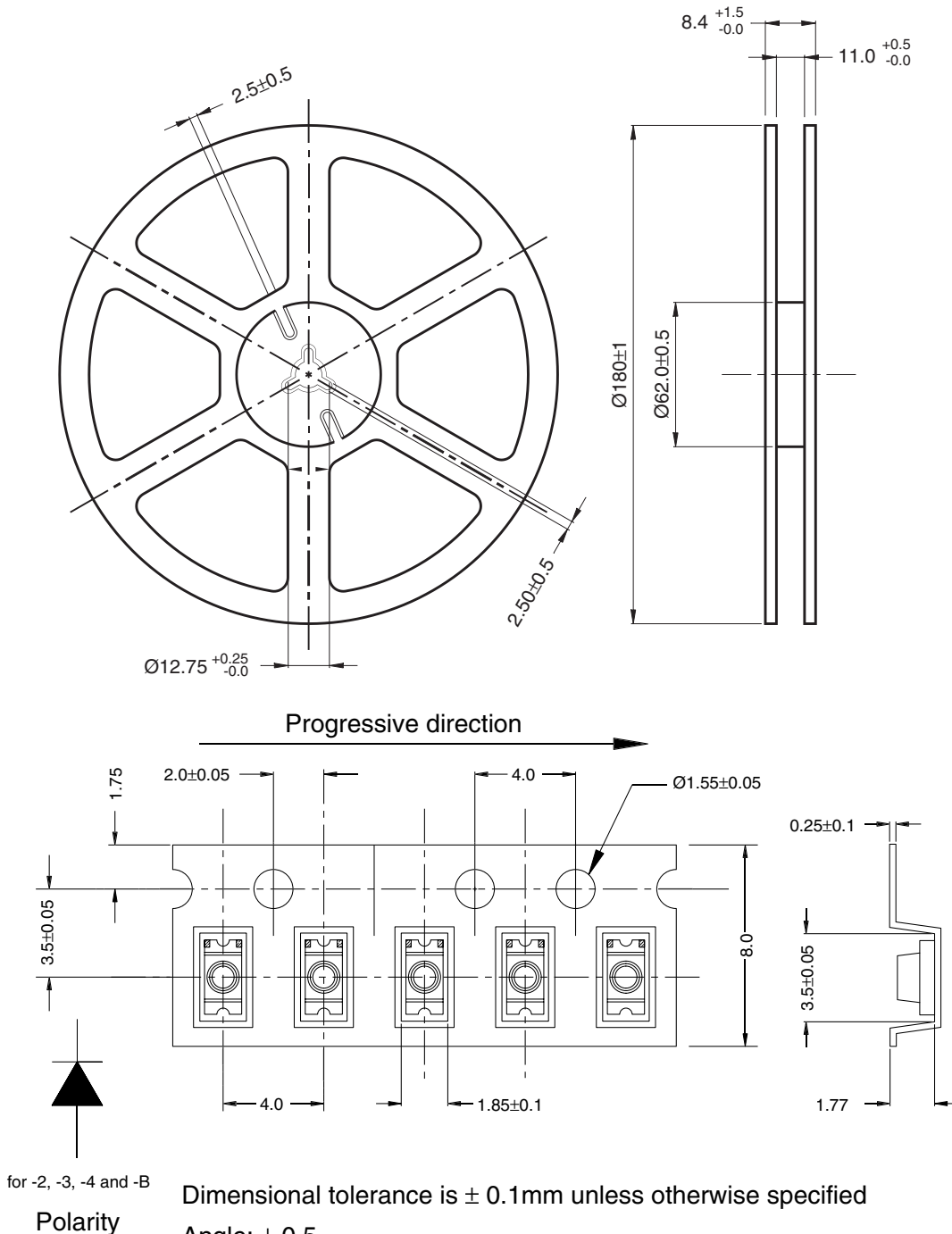
QTLP651C-3 Yellow

QTLP651C-4 Green

QTLP651C-7 AlGaAs Red

QTLP651C-B Blue

### TAPE AND REEL DIMENSIONS



Dimensional tolerance is  $\pm 0.1\text{mm}$  unless otherwise specified

Angle:  $\pm 0.5$

Unit: mm

# SURFACE MOUNT LED LAMP

## STANDARD BRIGHT 1206 (Inner Lens)

---

**QTLP651C-2** HER

**QTLP651C-3** Yellow

**QTLP651C-4** Green

**QTLP651C-7** AlGaAs Red

**QTLP651C-B** Blue

---

### DISCLAIMER

FAIRCHILD SEMICONDUCTOR RESERVES THE RIGHT TO MAKE CHANGES WITHOUT FURTHER NOTICE TO ANY PRODUCTS HEREIN TO IMPROVE RELIABILITY, FUNCTION OR DESIGN. FAIRCHILD DOES NOT ASSUME ANY LIABILITY ARISING OUT OF THE APPLICATION OR USE OF ANY PRODUCT OR CIRCUIT DESCRIBED HEREIN; NEITHER DOES IT CONVEY ANY LICENSE UNDER ITS PATENT RIGHTS, NOR THE RIGHTS OF OTHERS.

### LIFE SUPPORT POLICY

FAIRCHILD'S PRODUCTS ARE NOT AUTHORIZED FOR USE AS CRITICAL COMPONENTS IN LIFE SUPPORT DEVICES OR SYSTEMS WITHOUT THE EXPRESS WRITTEN APPROVAL OF THE PRESIDENT OF FAIRCHILD SEMICONDUCTOR CORPORATION. As used herein:

1. Life support devices or systems are devices or systems which, (a) are intended for surgical implant into the body, or (b) support or sustain life, and (c) whose failure to perform when properly used in accordance with instructions for use provided in the labeling, can be reasonably expected to result in a significant injury of the user.
2. A critical component in any component of a life support device or system whose failure to perform can be reasonably expected to cause the failure of the life support device or system, or to affect its safety or effectiveness.

# Mouser Electronics

Authorized Distributor

Click to View Pricing, Inventory, Delivery & Lifecycle Information:

[Everlight:](#)

[QTLP651C2TR](#) [QTLP651C4TR](#) [QTLP651C7TR](#)