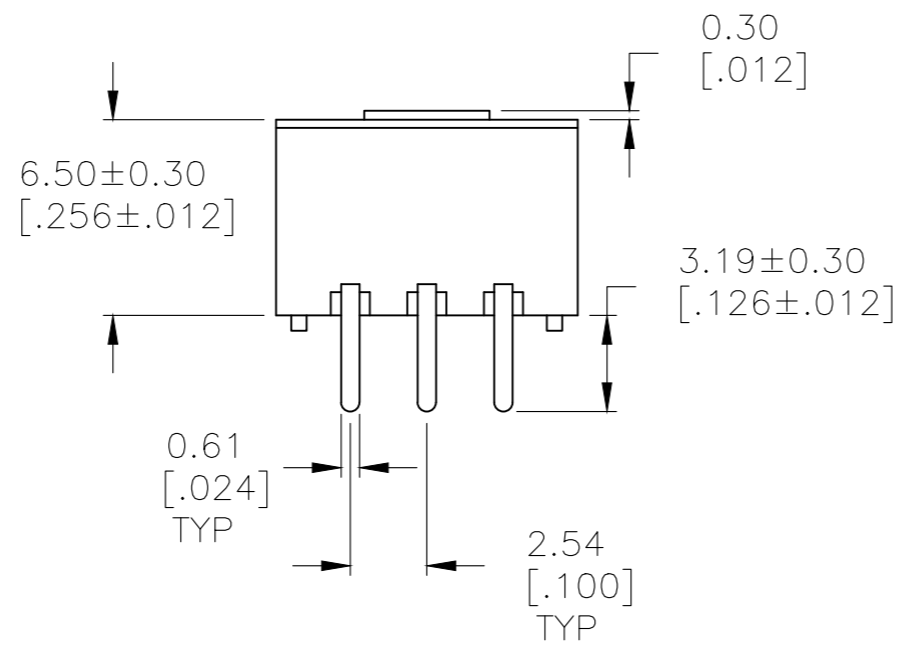
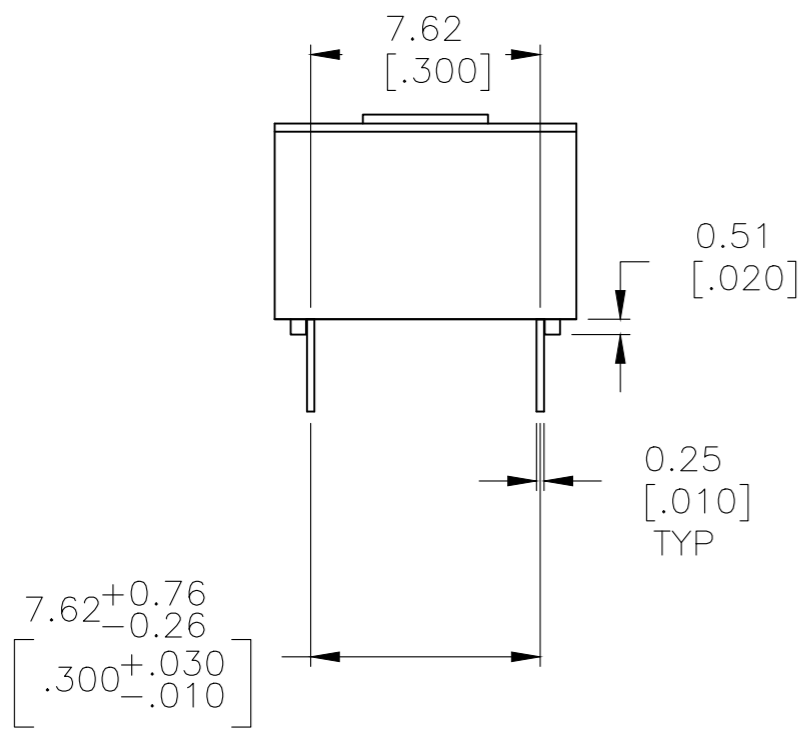
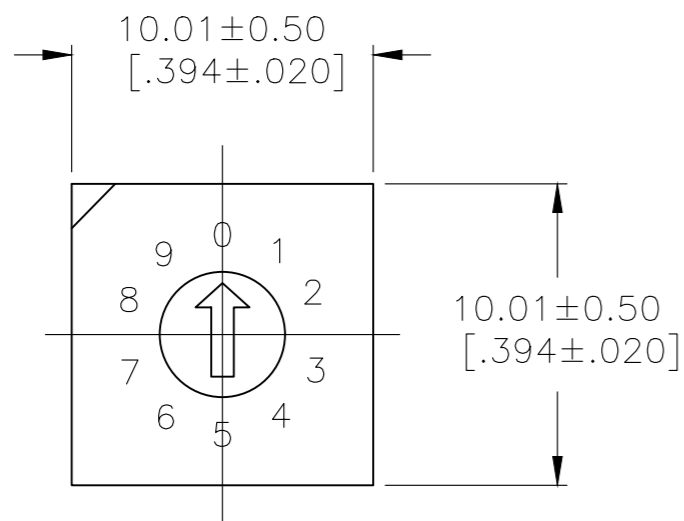
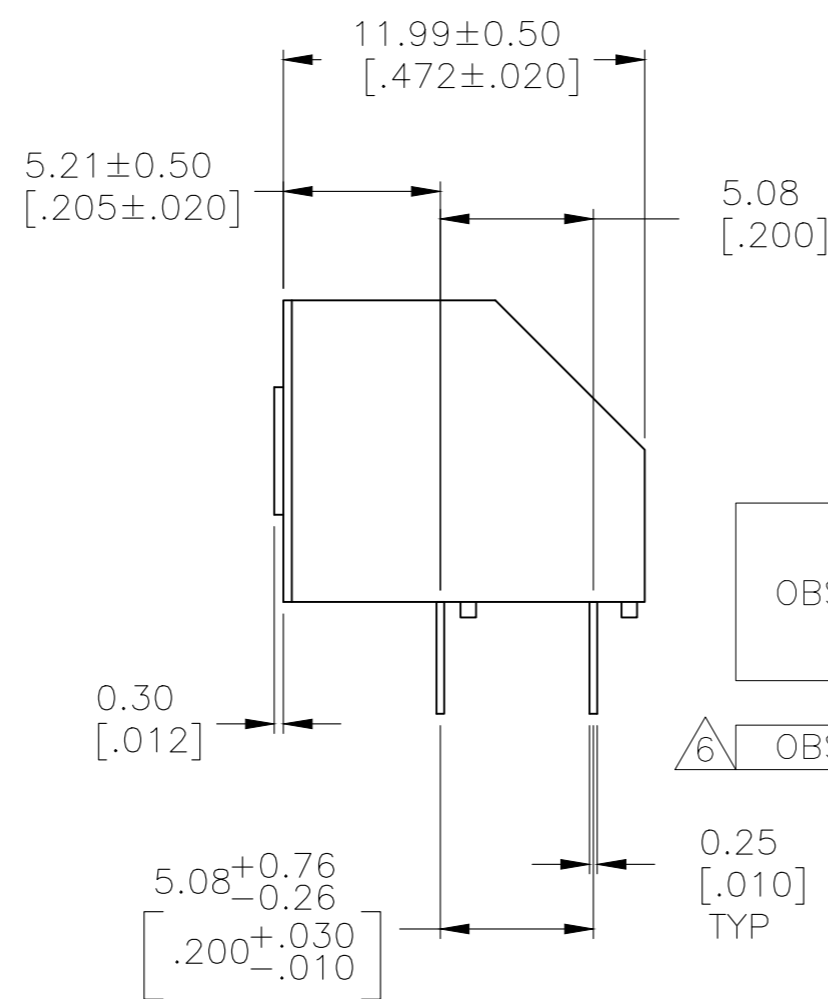
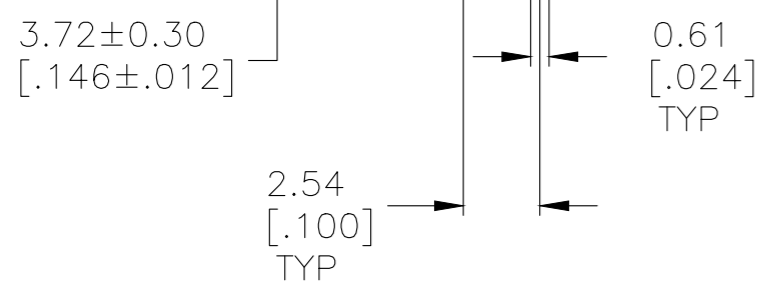
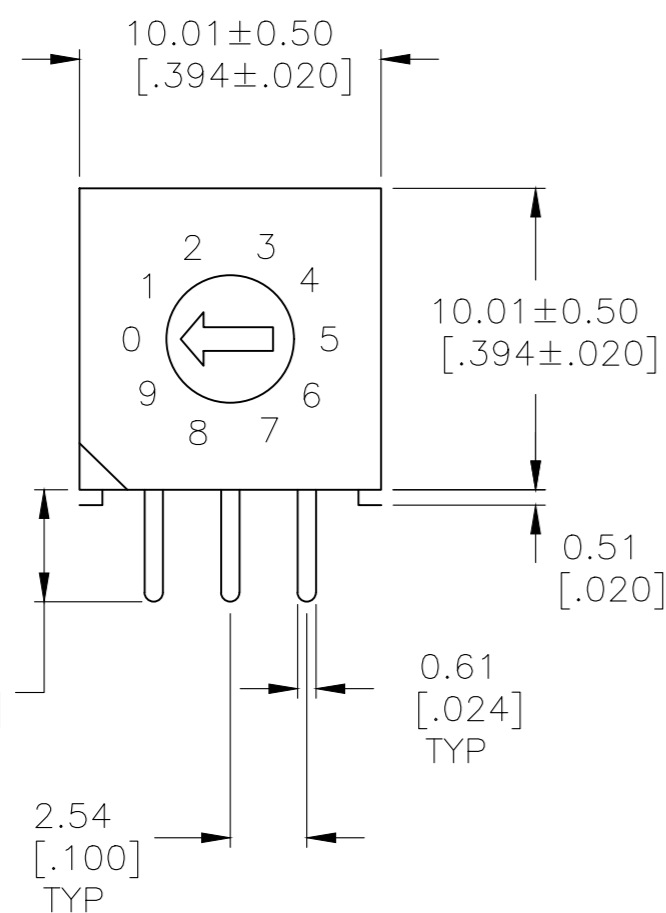


REVISIONS					
P	LTR	DESCRIPTION	DATE	DWN	APVD
	A1	REVISED PER ECO-09-024927	07NOV09	KK	AEG
	A2	REVISED PER ECO-17-001364	12MAY2017	RK	AS
	A3	REVISED PER ECO-17-007090	30JUN2017	RK	PO



RRD PC MOUNT



RRD RIGHT ANGLE PC MOUNT

SPECIFICATIONS:

MATERIAL:

BASE AND COVER - PPS UL94V-0, BLACK
 ROTOR - NYLON PA6T UL94V-0, COLOR SEE P/N TABLE.
 MOVING CONTACT - COPPER ALLOY, GOLD FLASH OVER NICKEL.
 FIXED CONTACT - COPPER ALLOY, GOLD FLASH OVER NICKEL.
 TERMINALS - COPPER ALLOY, GOLD FLASH OVER NICKEL.

ELECTRICAL:

CONTACT RATING - 0.4 VA @ 20 VDC OR PEAK AC.
 INITIAL CONTACT RESISTANCE - 50 MILLIOHMS MAX.
 INSULATION RESISTANCE - 1,000 MEGOHMS @ 100 VDC.
 DIELECTRIC STRENGTH - 300 VAC.
 LIFE EXPECTANCY - 10,000 ROTATIONS.

MECHANICAL:

ACTUATION FORCE - 6 OZ.-IN. (NOM.).

ENVIRONMENTAL:

OPERATING TEMPERATURE: -22°F TO +185°F (-30°C TO +85°C).
 STORAGE TEMPERATURE: -49°F TO +212°F (-45°C TO +100°C).
 RESISTANCE TO SOLDER HEAT PER 109-202, CONDITION B.
 SOLDERABILITY PER EIA-364-52 CLASS 2, CATEGORY 1.

NOTES:

- 1 RED ROTOR WITH WHITE PRINTING ON TOP AND SIDE OF SWITCH.
- 2 BLACK ROTOR WITH WHITE PRINTING ON TOP AND SIDE OF SWITCH.
- 3 ORANGE ROTOR WITH WHITE PRINTING ON TOP AND SIDE OF SWITCH.
- 4 WHITE ROTOR WITH WHITE PRINTING ON TOP AND SIDE OF SWITCH.
- 5. ALL MATERIALS AND FINISHES SHALL COMPLY WITH EU DIRECTIVE 2002/95/EC OF 27JAN2003(ROHS).
- 6 OBSOLETE PARTS: OBSOLETE CIS STREAMLINING PER D.RENAUD/D.SINISI

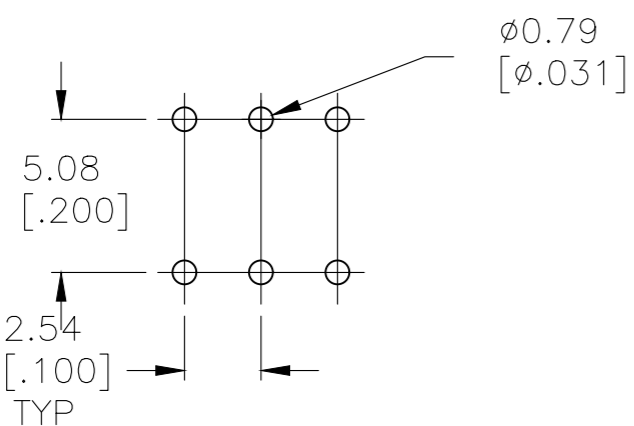
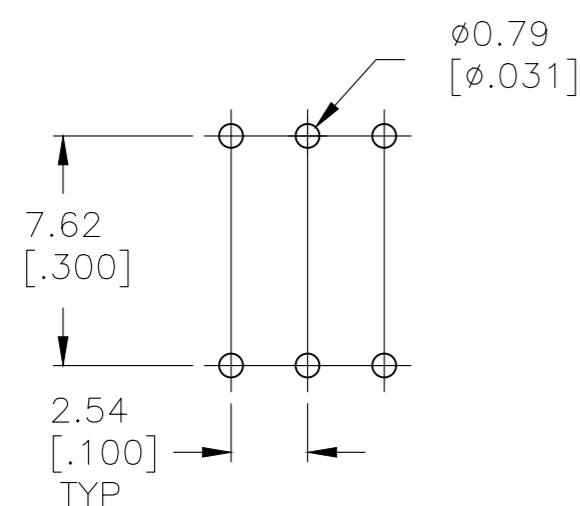
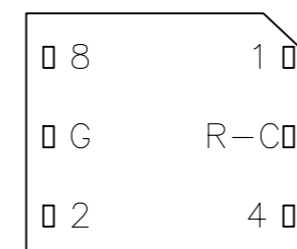
REMARKS	TERMINATION	CIRCUIT TYPE	RESISTOR VALUE	T&B P/N.	TE P/N.
OBSOLETE	4	RIGHT ANGLE	HEXADECIMAL COMPLEMENT	3.3k ohms	RRD16C3.3KRA04 1825444-7
	4	PC	HEXADECIMAL COMPLEMENT	3.3k ohms	RRD16C3.3K04 1825444-6
	4	RIGHT ANGLE	HEXADECIMAL COMPLEMENT	10k ohms	RRD16C10KRA04 1825444-5
	4	PC	HEXADECIMAL COMPLEMENT	10k ohms	RRD16C10K04 1825444-4
OBSOLETE	2	RIGHT ANGLE	HEXADECIMAL	10k ohms	RRD1610KRA04 1825444-3
	2	PC	HEXADECIMAL	10k ohms	RRD1610K04 1825444-2
	1	PC	BC DECIMAL	10k ohms	RRD1010K04 1825444-1

THIS DRAWING IS A CONTROLLED DOCUMENT.		DWN	M.BINNER	23OCT06	 TE Connectivity	RRD SERIES ROTARY DIP SWITCH					
DIMENSIONS: mm [INCHES]		CHK	M.SARVER	23OCT06		NAME	SIZE	CAGE CODE	DRAWING NO	RESTRICTED TO	
TOLERANCES UNLESS OTHERWISE SPECIFIED:		APVD	M.SARVER	23OCT06		PRODUCT SPEC	A2	00779	C=1825444	-	
0 PLC ± - 1 PLC ± - 2 PLC ± 0.25[010] 3 PLC ± - 4 PLC ± - ANGLES ± 1°		APPLICATION SPEC	CUSTOMER DRAWING			SCALE	4:1	SHEET	1 of 2	REV	A3
MATERIAL SEE SPECIFICATIONS		FINISH	-								

REVISIONS				
P	LTR	DESCRIPTION	DATE	APVD
-	-	SEE SHEET 1	-	-

TRUTH TABLES

FOR HYBRID VERSIONS (RR SERIES AND RA/C SERIES),
 COMMON BETWEEN TERMINALS 1 AND 4 IS RESISTOR
 OR DIODE COMMON.
 COMMON BETWEEN TERM 2 AND 8 IS GROUND
 (VIEWED FROM BOTTOM OF SWITCH)



PC
RIGHT ANGLE

RECOMMENDED HOLE LAYOUT
 TOLERANCE ±.002 UNLESS OTHERWISE NOTED

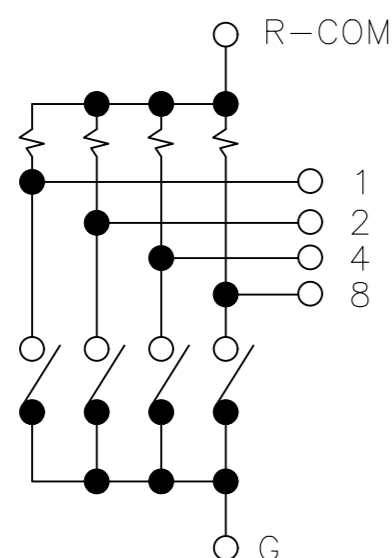
10-POSITION, BCD ¹

POS.	0	1	2	3	4	5	6	7	8	9
0	X	X	X	X	X	X	X	X	X	X
1		X		X		X		X		X
2			X	X		X	X			
4					X	X	X	X		
8									X	X

16-POSITION, HEXADECIMAL ²

POS.	0	1	2	3	4	5	6	7	8	9	A	B	C	D	E	F
0	X	X	X	X	X	X	X	X	X	X	X	X	X	X	X	X
1		X		X		X		X		X		X		X		X
2			X	X		X	X				X	X			X	X
4					X	X	X	X					X	X	X	X
8									X	X	X	X	X	X	X	X

RR SERIES RESISTOR NETWORK INFORMATION



10-POSITION, BCD COMPLIMENT ³

POS.	0	1	2	3	4	5	6	7	8	9
0	X	X	X	X	X	X	X	X	X	X
1	X		X		X		X		X	
2	X	X			X	X			X	X
4	X	X	X	X					X	X
8	X	X	X	X	X	X	X	X		

16-POSITION, HEXADECIMAL COMPLIMENT ⁴

POS.	0	1	2	3	4	5	6	7	8	9	A	B	C	D	E	F
0	X	X	X	X	X	X	X	X	X	X	X	X	X	X	X	X
1	X		X		X		X		X		X		X		X	
2	X	X			X	X			X	X			X	X		
4	X	X	X	X					X	X	X	X				
8	X	X	X	X	X	X	X	X								

125mW	3.3k ohms	±5% @ 85°C	24V
	10k ohms		
RATED POWER	RESISTANCE	TOLERANCE	MAX. VOLTAGE

THIS DRAWING IS A CONTROLLED DOCUMENT.		DWN M.BINNER	23OCT06		TE Connectivity			
DIMENSIONS: mm [INCHES]		CHK M.SARVER	23OCT06		NAME RRD SERIES ROTARY DIP SWITCH			
TOLERANCES UNLESS OTHERWISE SPECIFIED: 0 PLC ± - 1 PLC ± - 2 PLC ± 0.25[.010] 3 PLC ± - 4 PLC ± - ANGLES ± 1°		APVD M.SARVER	23OCT06	PRODUCT SPEC				
MATERIAL SEE SPECIFICATIONS		FINISH -		APPLICATION SPEC	SIZE A2	CAGE CODE 00779	DRAWING NO C-1825444	RESTRICTED TO -
CUSTOMER DRAWING				WEIGHT -	SCALE 4:1	SHEET 2 OF 2	REV A3	

Mouser Electronics

Authorized Distributor

Click to View Pricing, Inventory, Delivery & Lifecycle Information:

[TE Connectivity:](#)

[1825444-6](#) [RRD16C3.3K04](#)