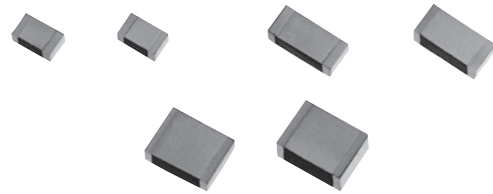


Stacked Metallized PPS Film Chip Capacitor

Type : **ECHU(X)**

Stacked metallized PPS film as dielectric with simple mold-less construction



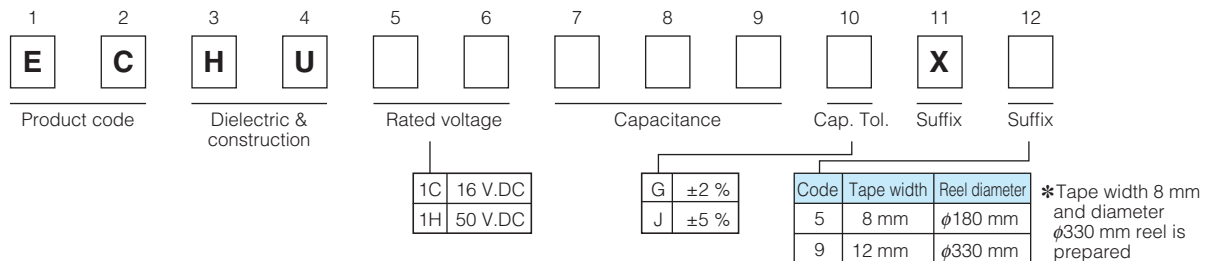
Features

- Small in size (Minimum size 1.6 mm × 0.8 mm)
- 85 °C, 85 %RH, W.V. × 1.0 for 500 hours
- For reflow soldering
- RoHS directive compliant

Recommended applications

- Time-constant
- Filtering
- Oscillation and resonance
- Audio circuit

Explanation of part number



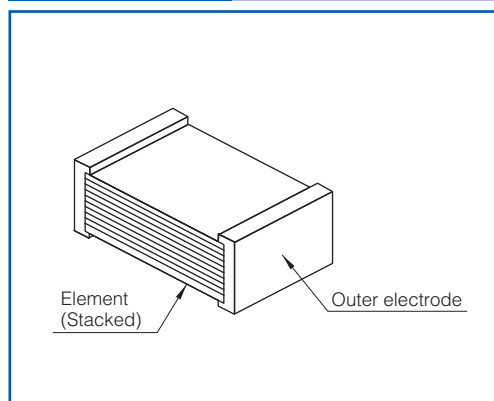
Specifications

Category temp. range (Including temperature-rise on unit surface)	- 55 °C to +125 °C	
Rated voltage	16 V.DC, 50 V.DC (50 V.DC : 0.12 μF or more : Derating or rated voltage by 1.25 % / °C at more than 105 °C)	
Capacitance range	16 V.DC	0.00010 μF to 0.10 μF (E12)
	50 V.DC	0.00010 μF to 0.22 μF (E12)
Capacitance tolerance	±2 % (G), ±5 % (J)	
Dissipation factor (tan δ)	tan δ ≤ 0.6 % (20 °C, 1 kHz)	
Withstand voltage	Between terminals : Rated volt. (V.DC) × 150 %, 60 s	
Insulation resistance (IR)	16 V.DC : IR ≥ 3000 MΩ (20 °C, 10 V.DC, 60 s)	
	50 V.DC : IR ≥ 3000 MΩ (20 °C, 50 V.DC, 60 s)	
Soldering conditions	Reflow soldering : 260 °C max. and 95 sec max. at more than 220 °C (Temp. at capacitor surface)	

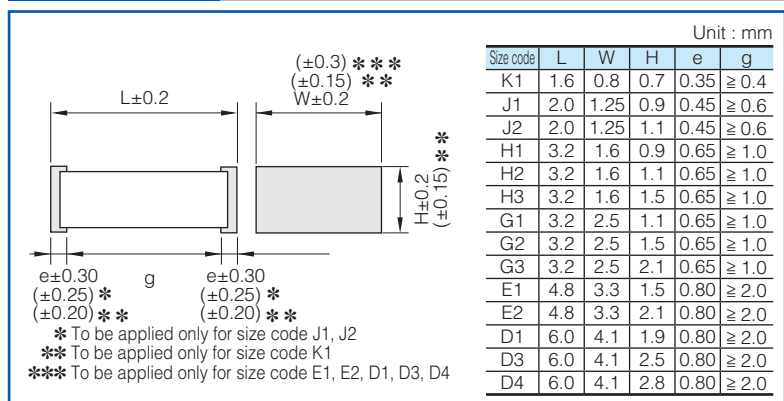
* Please consult us for flow soldering

* In case of applying voltage in alternating current (50 Hz or 60 Hz sine wave) to a capacitor with DC rated voltage, please refer to the page of "Permissible voltage (R.M.S) in alternating current corresponding to DC rated voltage".

Construction



Dimensions



Taping specification for automatic mounting

Refer to the page of taping specifications

Rating · Dimensions · Quantity

- Capacitance tolerance : $\pm 2\%$ (G), $\pm 5\%$ (J)

Capacitance (μF)	Rated voltage 16 V.DC						Rated voltage 50 V.DC					
	Part No.	Dimensions (mm)			Size code	Q'ty	Part No.	Dimensions (mm)			Size code	Q'ty
		L	W	H				L	W	H		
0.00010	ECHU1C101□X5	1.6	0.8	0.7	K1	4000	ECHU1H101□X5	2.0	1.25	0.9	J1	3000
0.00012	ECHU1C121□X5	1.6	0.8	0.7	K1		ECHU1H121□X5	2.0	1.25	0.9	J1	
0.00015	ECHU1C151□X5	1.6	0.8	0.7	K1		ECHU1H151□X5	2.0	1.25	0.9	J1	
0.00018	ECHU1C181□X5	1.6	0.8	0.7	K1		ECHU1H181□X5	2.0	1.25	0.9	J1	
0.00022	ECHU1C221□X5	1.6	0.8	0.7	K1		ECHU1H221□X5	2.0	1.25	0.9	J1	
0.00027	ECHU1C271□X5	1.6	0.8	0.7	K1		ECHU1H271□X5	2.0	1.25	0.9	J1	
0.00033	ECHU1C331□X5	1.6	0.8	0.7	K1		ECHU1H331□X5	2.0	1.25	0.9	J1	
0.00039	ECHU1C391□X5	1.6	0.8	0.7	K1		ECHU1H391□X5	2.0	1.25	0.9	J1	
0.00047	ECHU1C471□X5	1.6	0.8	0.7	K1		ECHU1H471□X5	2.0	1.25	0.9	J1	
0.00056	ECHU1C561□X5	1.6	0.8	0.7	K1		ECHU1H561□X5	2.0	1.25	0.9	J1	
0.00068	ECHU1C681□X5	1.6	0.8	0.7	K1		ECHU1H681□X5	2.0	1.25	0.9	J1	
0.00082	ECHU1C821□X5	1.6	0.8	0.7	K1		ECHU1H821□X5	2.0	1.25	0.9	J1	
0.0010	ECHU1C102□X5	1.6	0.8	0.7	K1		ECHU1H102□X5	2.0	1.25	0.9	J1	
0.0012	ECHU1C122□X5	1.6	0.8	0.7	K1		ECHU1H122□X5	2.0	1.25	0.9	J1	
0.0015	ECHU1C152□X5	1.6	0.8	0.7	K1	ECHU1H152□X5	2.0	1.25	0.9	J1		
0.0018	ECHU1C182□X5	1.6	0.8	0.7	K1	ECHU1H182□X5	2.0	1.25	0.9	J1		
0.0022	ECHU1C222□X5	1.6	0.8	0.7	K1	ECHU1H222□X5	2.0	1.25	0.9	J1		
0.0027	ECHU1C272□X5	1.6	0.8	0.7	K1	ECHU1H272□X5	2.0	1.25	0.9	J1		
0.0033	ECHU1C332□X5	2.0	1.25	0.9	J1	ECHU1H332□X5	3.2	1.6	0.9	H1	2000	
0.0039	ECHU1C392□X5	2.0	1.25	0.9	J1	ECHU1H392□X5	3.2	1.6	0.9	H1		
0.0047	ECHU1C472□X5	2.0	1.25	0.9	J1	ECHU1H472□X5	3.2	1.6	0.9	H1		
0.0056	ECHU1C562□X5	2.0	1.25	0.9	J1	ECHU1H562□X5	3.2	1.6	0.9	H1		
0.0068	ECHU1C682□X5	2.0	1.25	0.9	J1	ECHU1H682□X5	3.2	1.6	0.9	H1		
0.0082	ECHU1C822□X5	2.0	1.25	1.1	J2	ECHU1H822□X5	3.2	1.6	1.1	H2		
0.010	ECHU1C103□X5	2.0	1.25	1.1	J2	ECHU1H103□X5	3.2	1.6	1.1	H2		
0.012	ECHU1C123□X5	3.2	1.6	0.9	H1	ECHU1H123□X5	3.2	2.5	1.1	G1		
0.015	ECHU1C153□X5	3.2	1.6	0.9	H1	ECHU1H153□X5	3.2	2.5	1.1	G1		
0.018	ECHU1C183□X5	3.2	1.6	0.9	H1	ECHU1H183□X5	3.2	2.5	1.5	G2		
0.022	ECHU1C223□X5	3.2	1.6	0.9	H1	ECHU1H223□X5	3.2	2.5	1.5	G2		
0.027	ECHU1C273□X5	3.2	1.6	1.1	H2	ECHU1H273□X5	3.2	2.5	1.5	G2		
0.033	ECHU1C333□X5	3.2	1.6	1.1	H2	ECHU1H333□X5	3.2	2.5	2.1	G3		
0.039	ECHU1C393□X5	3.2	1.6	1.5	H3	ECHU1H393□X5	3.2	2.5	2.1	G3		
0.047	ECHU1C473□X5	3.2	1.6	1.5	H3	ECHU1H473□X9	4.8	3.3	1.5	E1	3000	
0.056	ECHU1C563□X5	3.2	2.5	1.5	G2	ECHU1H563□X9	4.8	3.3	1.5	E1		
0.068	ECHU1C683□X5	3.2	2.5	1.5	G2	ECHU1H683□X9	4.8	3.3	1.5	E1		
0.082	ECHU1C823□X5	3.2	2.5	2.1	G3	ECHU1H823□X9	4.8	3.3	2.1	E2		
0.10	ECHU1C104□X5	3.2	2.5	2.1	G3	ECHU1H104□X9	4.8	3.3	2.1	E2		
0.12						ECHU1H124□X9	6.0	4.1	1.9	D1		2000
0.15						ECHU1H154□X9	6.0	4.1	1.9	D1		
0.18						ECHU1H184□X9	6.0	4.1	2.5	D3		
0.22						ECHU1H224□X9	6.0	4.1	2.8	D4		

* □ : Capacitance tolerance code

Recommended for land dimensions

Unit : mm

Size code	Land dimensions		
	Reflow soldering		
	A	B	C
K1	0.6	2.0	0.7
J1, J2	0.8	2.4	1.1
H1, H2, H3	1.8	3.6	1.4
G1, G2, G3	1.8	3.6	2.3
E1, E2	3.0	5.6	3.0
D1, D3, D4	4.0	7.0	3.8

* It is not warrantable that you can mount the capacitor without trouble under all the mounting condition when "Recommender for Land dimensions" is adopted.

Mouser Electronics

Authorized Distributor

Click to View Pricing, Inventory, Delivery & Lifecycle Information:

Panasonic:

[ECH-U1C221JX5](#) [ECH-U1C222GX5](#) [ECH-U1H682GX5](#) [ECH-U01223GX5](#) [ECH-U1C471GX5](#) [ECH-U1H561GX5](#)
[ECH-U1H822GX5](#) [ECH-U1C152JX5](#) [ECH-U1H331GX5](#) [ECH-U1C101GX5](#) [ECH-U1C102GX5](#) [ECH-U1C102JX5](#)
[ECH-U1C103GX5](#) [ECH-U1C103JX5](#) [ECH-U1C104GX5](#) [ECH-U1C104JX5](#) [ECH-U1C123GX5](#) [ECH-U1C123JX5](#)
[ECH-U1C152GX5](#) [ECH-U1C153GX5](#) [ECH-U1C153JX5](#) [ECH-U1C183GX5](#) [ECH-U1C183JX5](#) [ECH-U1C222JX5](#)
[ECH-U1C223GX5](#) [ECH-U1C223JX5](#) [ECH-U1C272GX5](#) [ECH-U1C273GX5](#) [ECH-U1C273JX5](#) [ECH-U1C332JX5](#)
[ECH-U1C333GX5](#) [ECH-U1C333JX5](#) [ECH-U1C392JX5](#) [ECH-U1C393GX5](#) [ECH-U1C393JX5](#) [ECH-U1C472JX5](#)
[ECH-U1C473GX5](#) [ECH-U1C473JX5](#) [ECH-U1C562JX5](#) [ECH-U1C563GX5](#) [ECH-U1C563JX5](#) [ECH-U1C682GX5](#)
[ECH-U1C682JX5](#) [ECH-U1C683GX5](#) [ECH-U1C683JX5](#) [ECH-U1C822GX5](#) [ECH-U1C822JX5](#) [ECH-U1C823GX5](#)
[ECH-U1C823JX5](#) [ECH-U1H101GX5](#) [ECH-U1H101JX5](#) [ECH-U1H102GX5](#) [ECH-U1H102JX5](#) [ECH-U1H103GX5](#)
[ECH-U1H103JX5](#) [ECH-U1H121JX5](#) [ECH-U1H122JX5](#) [ECH-U1H123JX5](#) [ECH-U1H152GX5](#) [ECH-U1H152JX5](#) [ECH-](#)
[U1H153GX5](#) [ECH-U1H153JX5](#) [ECH-U1H181GX5](#) [ECH-U1H181JX5](#) [ECH-U1H182JX5](#) [ECH-U1H183JX5](#) [ECH-](#)
[U1H221GX5](#) [ECH-U1H221JX5](#) [ECH-U1H222GX5](#) [ECH-U1H222JX5](#) [ECH-U1H223JX5](#) [ECH-U1H271JX5](#) [ECH-](#)
[U1H272GX5](#) [ECH-U1H272JX5](#) [ECH-U1H273GX5](#) [ECH-U1H273JX5](#) [ECH-U1H331JX5](#) [ECH-U1H332JX5](#) [ECH-](#)
[U1H333GX5](#) [ECH-U1H333JX5](#) [ECH-U1H391JX5](#) [ECH-U1H392GX5](#) [ECH-U1H392JX5](#) [ECH-U1H393GX5](#) [ECH-](#)
[U1H393JX5](#) [ECH-U1H471JX5](#) [ECH-U1H472JX5](#) [ECH-U1H561JX5](#) [ECH-U1H562JX5](#) [ECH-U1H681JX5](#) [ECH-](#)
[U1H682JX5](#) [ECH-U1H821JX5](#) [ECH-U1H822JX5](#) [ECH-U01103GX5](#) [ECH-U01103JX5](#) [ECH-U01123GX5](#) [ECH-](#)
[U01123JX5](#) [ECH-U01153JX5](#) [ECH-U01183GX5](#) [ECH-U01183JX5](#)