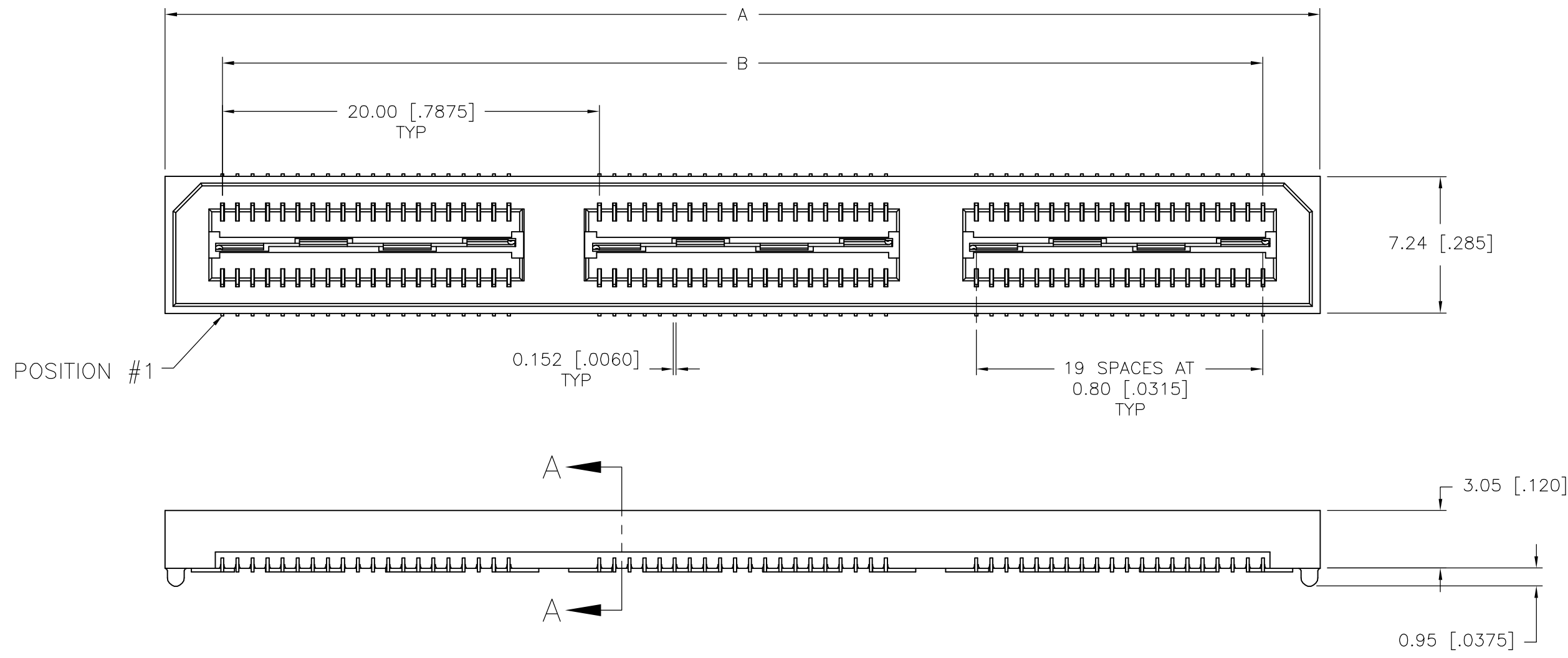
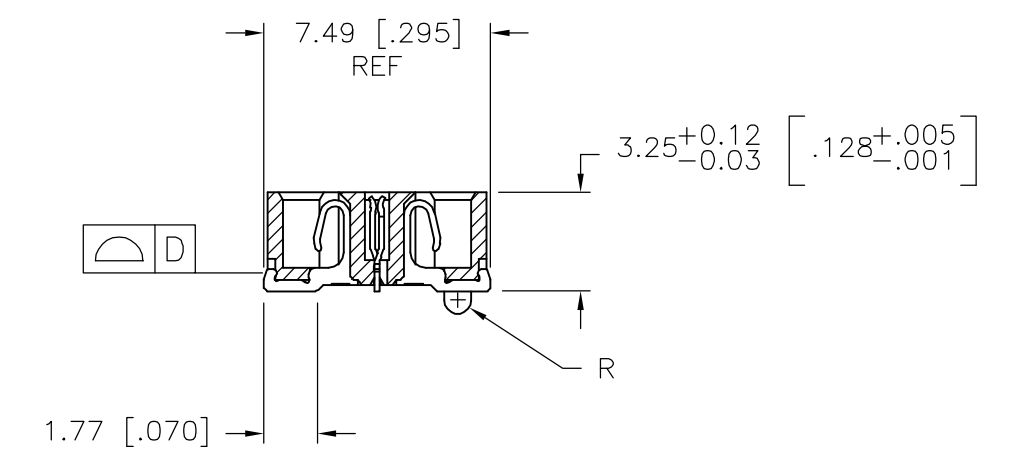


THIS DRAWING IS UNPUBLISHED. RELEASED FOR PUBLICATION
 © COPYRIGHT BY TYCO ELECTRONICS CORPORATION. ALL RIGHTS RESERVED.

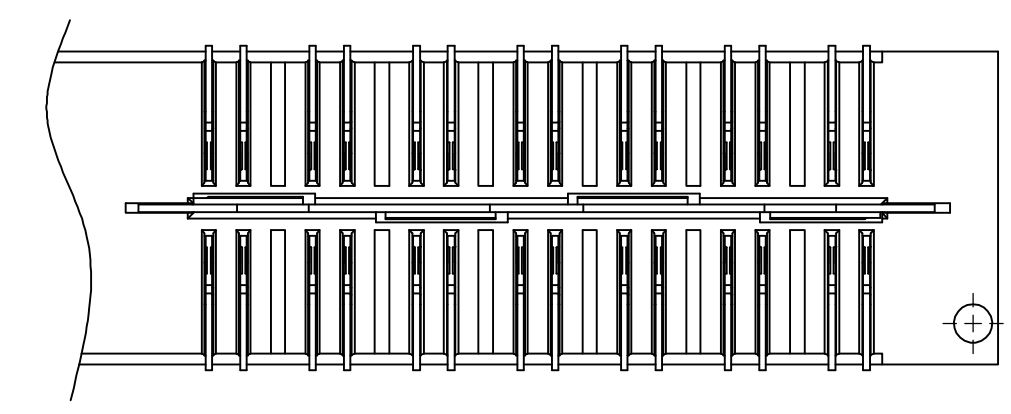
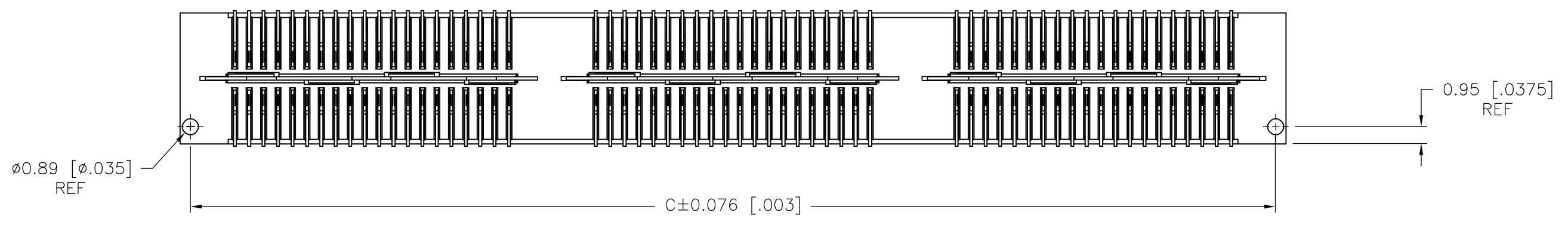
LOC		DIST		REVISIONS			
P	LTR	DESCRIPTION		DATE	DWN	APVD	
AD	00	K	REV PER EC	0512-0310-05	11OCT05	BC	DD



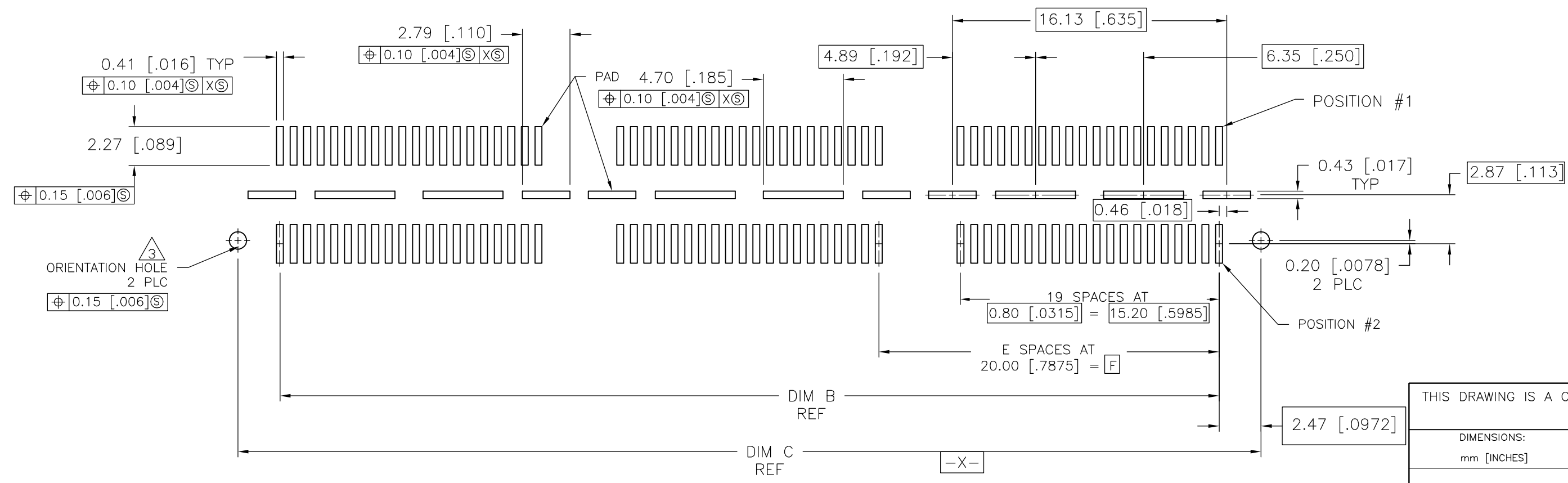
- 1 HOUSING: LCP, BLACK.
CONTACT & GROUND PLANE: PHOS BRONZE.
- 2 CONTACT PLATING: SELECT 0.76 MICROMETERS (.000030 IN) MIN GOLD.
- 3 FOR STANDARD APPLICATIONS, ORIENTATION HOLE TO BE $\phi 1.02$ [$\phi 0.0400$].



SECTION A-A



DIFFERENTIAL PAIR LOADING
(BOTTOM VIEW)
SCALE 2:1

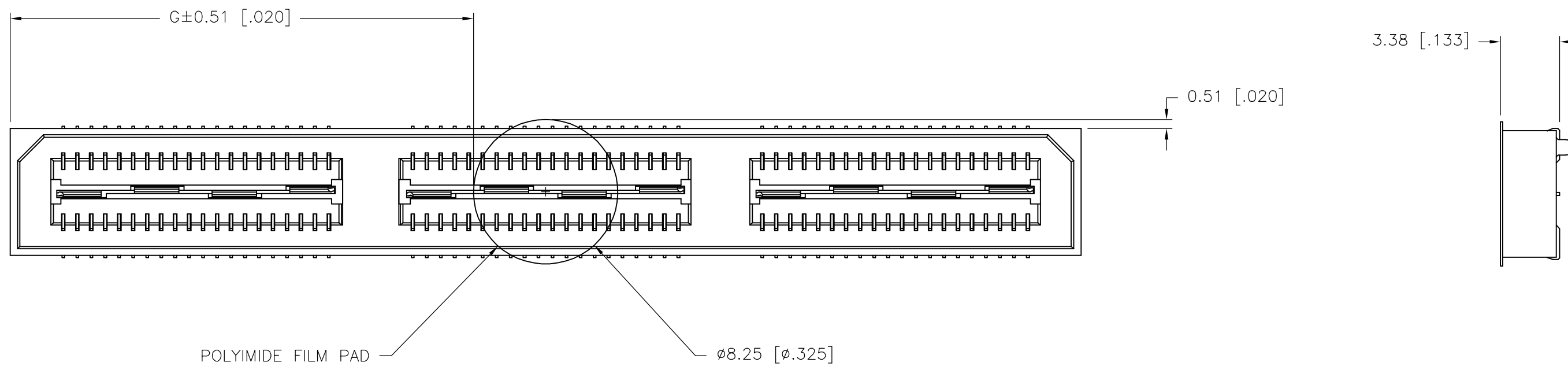


RECOMMENDED PC BOARD LAYOUT
(VIEWED FROM CONNECTOR SIDE)

THIS DRAWING IS A CONTROLLED DOCUMENT.		DWN	B.CARBO	27MAY03		Tyco Electronics Corporation	
DIMENSIONS: mm [INCHES]		CHK	D.DIXON	27MAY03		Harrisburg, PA 17105-3608	
TOLERANCES UNLESS OTHERWISE SPECIFIED:		APVD	D.DIXON	27MAY03	NAME		
0 PLC	± -	PRODUCT SPEC		RECEPTACLE ASSEMBLY, VERTICAL			
1 PLC	± 0.3[.01]	APPLICATION SPEC		0.80MM CL, MICTOR SB			
2 PLC	± 0.13[.005]	WEIGHT		RESTRICTED TO			
3 PLC	± 0.05[.0020]	SCALE		A2 00779 C=1658462			
4 PLC	± -	SHEET		1 of 2			
ANGLES	± 2°	REV		K			
FINISH	± -	CUSTOMER DRAWING					

THIS DRAWING IS UNPUBLISHED. RELEASED FOR PUBLICATION
 © COPYRIGHT BY TYCO ELECTRONICS CORPORATION. ALL RIGHTS RESERVED.

LOC	DIST	REVISIONS			
P	LTR	DESCRIPTION	DATE	DWN	APVD
AD	00	SEE SHEET 1	-	-	-



26.52(1.044)	40.00(1.575)	2	0.152(.0060)	60.13(2.368)	55.20(2.173)	61.28(2.412)	YES	POCKET TAPE	YES	84	7-1658462-3	
16.51(.650)	20.00(.7874)	1	0.102(.0040)	40.13(1.580)	35.20(1.386)	41.28(1.625)	YES	POCKET TAPE	YES	56	7-1658462-2	
6.52(.257)	0(.000)	0	0.102(.0040)	20.13(.793)	15.20(.598)	21.29(.838)	YES	POCKET TAPE	YES	28	7-1658462-1	
26.52(1.044)	40.00(1.575)	2	0.152(.0060)	60.13(2.368)	55.20(2.173)	61.28(2.412)	YES	POCKET TAPE	NO	120	6-1658462-3	
16.51(.650)	20.00(.7874)	1	0.102(.0040)	40.13(1.580)	35.20(1.386)	41.28(1.625)	YES	POCKET TAPE	NO	80	6-1658462-2	
6.52(.257)	0(.000)	0	0.102(.0040)	20.13(.793)	15.20(.598)	21.29(.838)	YES	POCKET TAPE	NO	40	6-1658462-1	
-	40.00(1.575)	2	0.152(.0060)	60.13(2.368)	55.20(2.173)	61.28(2.412)	NO	POCKET TAPE	YES	84	5-1658462-3	
-	20.00(.7874)	1	0.102(.0040)	40.13(1.580)	35.20(1.386)	41.28(1.625)	NO	POCKET TAPE	YES	56	5-1658462-2	
-	0(.000)	0	0.102(.0040)	20.13(.793)	15.20(.598)	21.29(.838)	NO	POCKET TAPE	YES	28	5-1658462-1	
-	40.00(1.575)	2	0.152(.0060)	60.13(2.368)	55.20(2.173)	61.28(2.412)	NO	POCKET TAPE	NO	120	4-1658462-3	
-	20.00(.7874)	1	0.102(.0040)	40.13(1.580)	35.20(1.386)	41.28(1.625)	NO	POCKET TAPE	NO	80	4-1658462-2	
-	0(.000)	0	0.102(.0040)	20.13(.793)	15.20(.598)	21.29(.838)	NO	POCKET TAPE	NO	40	4-1658462-1	
46.53(1.832)	80.00(3.150)	4	0.152(.0060)	100.14(3.943)	95.20(3.748)	101.30(3.988)	YES	TRAY	YES	140	3-1658462-5	
36.52(1.438)	60.00(2.362)	3	0.152(.0060)	80.14(3.155)	75.20(2.961)	81.28(3.200)	YES	TRAY	YES	112	3-1658462-4	
26.52(1.044)	40.00(1.575)	2	0.152(.0060)	60.13(2.368)	55.20(2.173)	61.28(2.412)	YES	TRAY	YES	84	3-1658462-3	
16.51(.650)	20.00(.7874)	1	0.102(.0040)	40.13(1.580)	35.20(1.386)	41.28(1.625)	YES	TRAY	YES	56	3-1658462-2	
6.52(.257)	0(.000)	0	0.102(.0040)	20.13(.793)	15.20(.598)	21.29(.838)	YES	TRAY	YES	28	3-1658462-1	
46.53(1.832)	80.00(3.150)	4	0.152(.0060)	100.14(3.943)	95.20(3.748)	101.30(3.988)	YES	TRAY	NO	200	2-1658462-5	
36.52(1.438)	60.00(2.362)	3	0.152(.0060)	80.14(3.155)	75.20(2.961)	81.28(3.200)	YES	TRAY	NO	160	2-1658462-4	
26.52(1.044)	40.00(1.575)	2	0.152(.0060)	60.13(2.368)	55.20(2.173)	61.28(2.412)	YES	TRAY	NO	120	2-1658462-3	
16.51(.650)	20.00(.7874)	1	0.102(.0040)	40.13(1.580)	35.20(1.386)	41.28(1.625)	YES	TRAY	NO	80	2-1658462-2	
6.52(.257)	0(.000)	0	0.102(.0040)	20.13(.793)	15.20(.598)	21.29(.838)	YES	TRAY	NO	40	2-1658462-1	
-	80.00(3.150)	4	0.152(.0060)	100.14(3.943)	95.20(3.748)	101.30(3.988)	NO	TRAY	YES	140	1-1658462-5	
-	60.00(2.362)	3	0.152(.0060)	80.14(3.155)	75.20(2.961)	81.28(3.200)	NO	TRAY	YES	112	1-1658462-4	
-	40.00(1.575)	2	0.152(.0060)	60.13(2.368)	55.20(2.173)	61.28(2.412)	NO	TRAY	YES	84	1-1658462-3	
-	20.00(.7874)	1	0.102(.0040)	40.13(1.580)	35.20(1.386)	41.28(1.625)	NO	TRAY	YES	56	1-1658462-2	
-	0(.000)	0	0.102(.0040)	20.13(.793)	15.20(.598)	21.29(.838)	NO	TRAY	YES	28	1-1658462-1	
-	80.00(3.150)	4	0.152(.0060)	100.14(3.943)	95.20(3.748)	101.30(3.988)	NO	TRAY	NO	200	1658462-5	
-	60.00(2.362)	3	0.152(.0060)	80.14(3.155)	75.20(2.961)	81.28(3.200)	NO	TRAY	NO	160	1658462-4	
-	40.00(1.575)	2	0.152(.0060)	60.13(2.368)	55.20(2.173)	61.28(2.412)	NO	TRAY	NO	120	1658462-3	
-	20.00(.7874)	1	0.102(.0040)	40.13(1.580)	35.20(1.386)	41.28(1.625)	NO	TRAY	NO	80	1658462-2	
-	0(.000)	0	0.102(.0040)	20.13(.793)	15.20(.598)	21.29(.838)	NO	TRAY	NO	40	1658462-1	
G	F	E	D	C	B	A		POLYIMIDE FILM Pad ▲	PACKAGING TYPE	DIFF. PAIR	NO OF POS	PART NUMBER

THIS DRAWING IS A CONTROLLED DOCUMENT.

DWN	B.CARBO	27MAY03	Tyco Electronics Corporation Harrisburg, PA 17105-3608
CHK	D.DIXON	27MAY03	
APVD	D.DIXON	27MAY03	
PRODUCT SPEC			
APPLICATION SPEC			NAME
			RECEPTACLE ASSEMBLY, VERTICAL 0.80MM CL, MICTOR SB
MATERIAL	SEE SHEET 1	FINISH	SEE SHEET 1
WEIGHT	-	SCALE	A2 00779 C=1658462
CUSTOMER DRAWING		SCALE	4:1 SHEET 2 OF 2 REV K

Mouser Electronics

Authorized Distributor

Click to View Pricing, Inventory, Delivery & Lifecycle Information:

[TE Connectivity:](#)

[5-1658462-2](#)