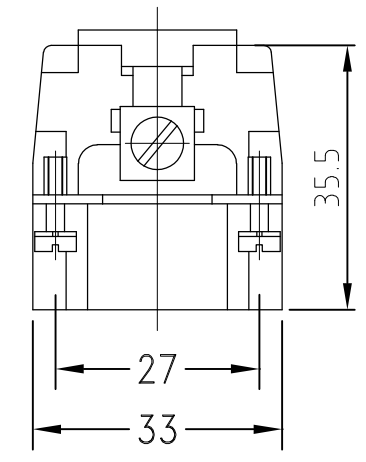
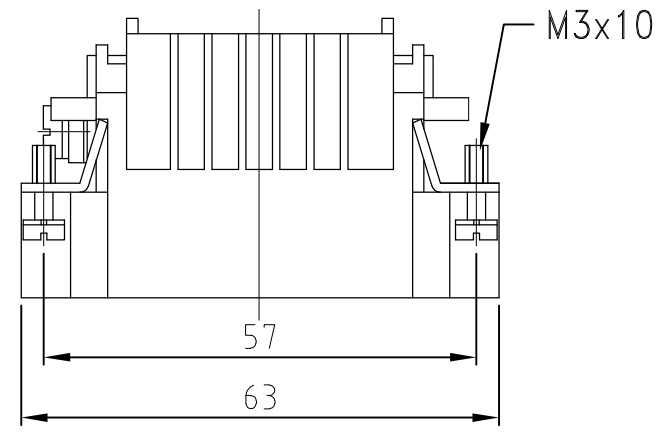


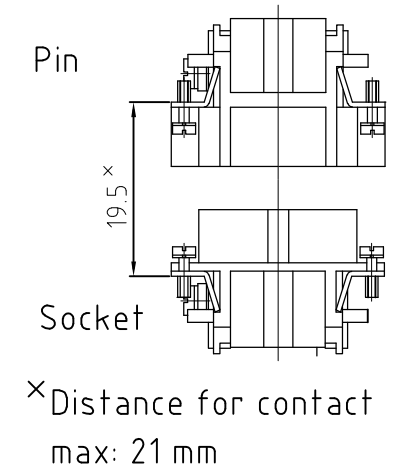
THIS DRAWING IS UNPUBLISHED. RELEASED FOR PUBLICATION  
 © COPYRIGHT - BY TYCO ELECTRONICS CORPORATION. ALL INTERNATIONAL RIGHTS RESERVED.

LOC	DIST	REVISIONS					
		P	LTR	DESCRIPTION	DATE	DWN	APVD
A1	-		A3	UL-File entfällt EGD0-0218-03 UL-file removed	29.09.03	SR	SM
			A4	REVISED PER ECO-11-002591	11FEB11	HMR	MM

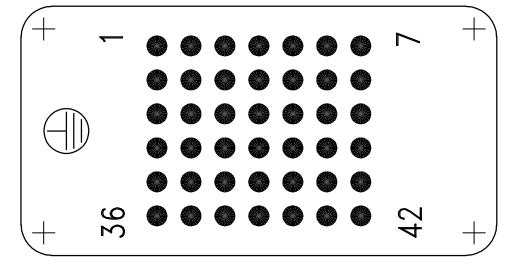
Maßbild  
Outline drawing



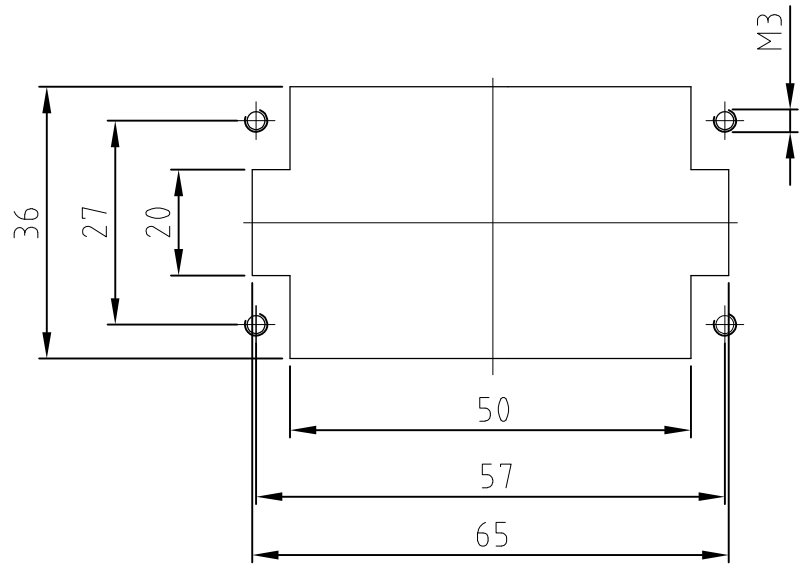
Assembly reference



Kontaktanordnung  
Contact arrangement  
Ansicht Anschlußseite  
view from termination side



Montageausschnitt  
Panel cut-out for contact insert  
bei Verwendung ohne Gehäuse  
when used without housing



- Notes, Bemerkungen,
- 1 Material: insert, PC Material: Einsatz: PC
  - 2 Finish: contact; Ag, Au Oberfläche: Kontakte; Ag, Au

1	Pin Insert HN.2D.42 Crimp	1	dark gray	1	-	
2-3	DESCRIPTION / BENENNUNG	MATERIAL	COLOR / FARBE	ITEM NO. POS.	REMARKS / BEMERKUNGEN	
HN.2D.42.Sti.C	THIS DRAWING IS A CONTROLLED DOCUMENT.		DWN Schneider 10.11.1997	Tyco Electronics Corporation Harrisburg, Pa 17105-3608		
	DIMENSIONS: mm		CHK -	NAME		
	TOLERANCES UNLESS OTHERWISE SPECIFIED: GENERAL TOLERANCES ISO 8015 ISO 2768 - mH - E DIN 16901 - 14.0		APVD -	PRODUCT SPEC		
	0 PLC ± - 1 PLC ± - 2 PLC ± - 3 PLC ± - 4 PLC ± - ANGLES ± -		PRODUCT SPEC -	APPLICATION SPEC -		
	MATERIAL 1	FINISH 2	WEIGHT 53g	SIZE A3	CAGE CODE 00779	DRAWING NO C-1103204
CUSTOMER DRAWING			SCALE 1:1	SHEET 1 OF 1	REV A4	

# Mouser Electronics

Authorized Distributor

Click to View Pricing, Inventory, Delivery & Lifecycle Information:

[TE Connectivity:](#)

[2-1103204-3](#)